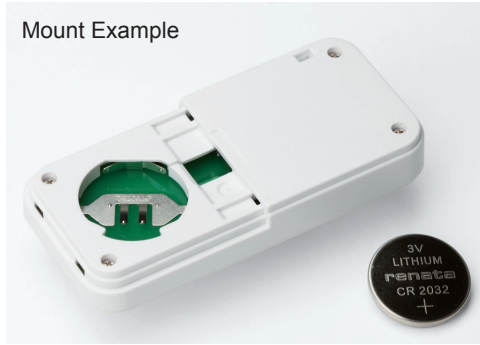


CST SERIES

CR2032 BATTERY CONTACT



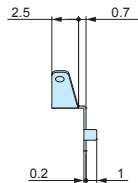
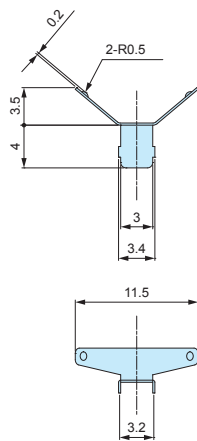
- Material : SUS304 / Nickel plated
- Battery contact for CR2032 coin cell.
- "CR2032" and "⊖" indicators are engraved on the negative side.
- Use with enclosures that utilizes CR2032 coin cells.

Product no. / Feature

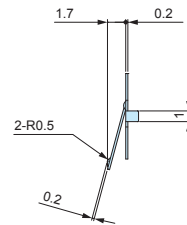
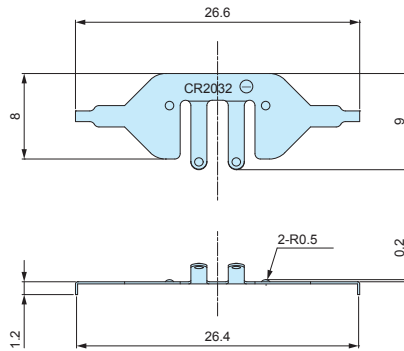
| Product no. | Matching coin cell | Contact type | Weight (g) | Pack of |
|-------------|--------------------|------------------|------------|---------|
| CST-2032P | CR2032 | Through hole x 2 | 0.1 | 10 |
| CST-2032M | CR2032 | Through hole x 2 | 0.2 | 10 |

■ DXF/DWG/PDF drawings available on our website.

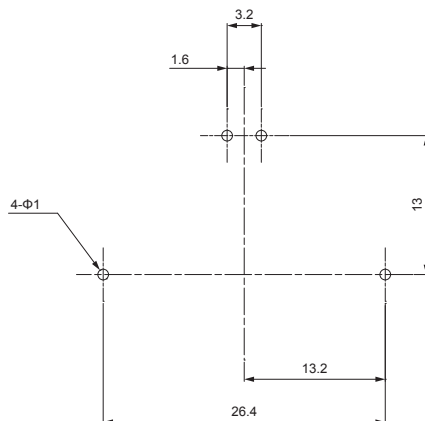
CST-2032P



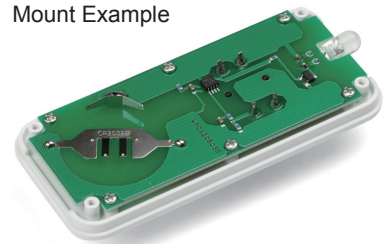
CST-2032M



Recommended PCB hole layout



Mount Example



■ Refer to the mount example for mounting direction of contacts.