

CSS - CS SERIES

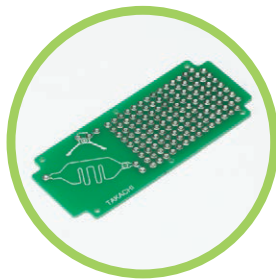
SMALL PLASTIC CASE WITH SILICONE COVER

Built-in CR2032 Coin Battery Compartment

Selectable in 3 sizes & 12 color combinations



Built-in CR2032
battery compartment



Exclusive
universal PCBs

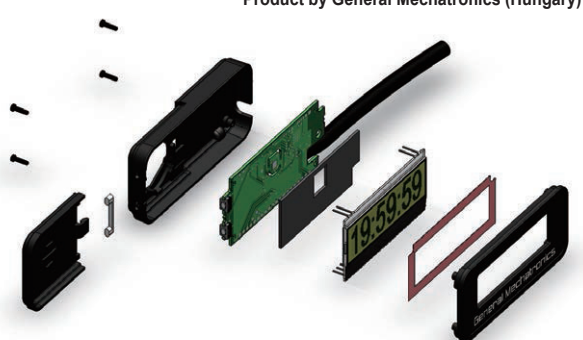


6 Colors

APPLICATION EXAMPLE

MOTOR SPORT INFRARED LAPTIMER (BLUETOOTH 4.0 & ANDROID APPLICATION)

Product by General Mechatronics (Hungary)



BLUETOOTH TEMPERATURE DATA LOGGER

Product by Almendo Technologies (Germany)



G TRIP-TRIP SENSOR for RELAY TESTER

Product by Musashi Intech (Japan)



WIRELESS REMOTE CONTROL SWITCH

Product by Herutu Electronics Corporation (Japan)



HANDI QUILTER EASY-SET TENSION™ Kit

Product by Handi Quilter, Inc (USA)



WIRELESS MICROPHONE for HEARING AID

Product by Audinor AS (Norway)



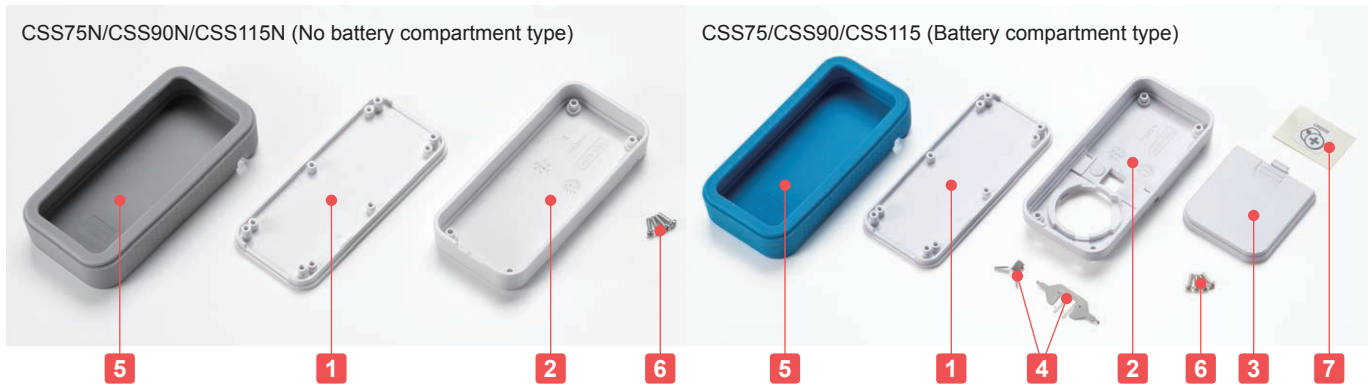
CSS SERIES

PORTABLE PLASTIC CASE with SILICONE COVER



Technical Data
Protection class: IP40
Operating temperature: -10°C ~ +60°C

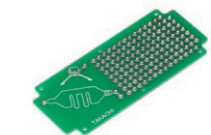
- Small plastic case with silicone cover. Strong against drop impact while providing a secure grip.
- Smart phone sized CSS115 comes with 2 CR2032 battery compartment while smaller sized single battery and no battery compartment types are also available.
- Suitable for remote controller, wireless key fob, small tester/device and so on.
- Available in 3 sizes with 6 models and selectable in 12 different color combinations.
- 2 types of silicone cover available which have with (Open) and without (Closed) rectangular cutout on the front side.



Components

No.	Part name	Pcs	Material	Color / Finish
1	Top cover	1	ABS UL94HB	White • Black
2	Bottom cover	1	ABS UL94HB	White • Black
3	Battery cover	1	ABS UL94HB	White • Black
4	Battery contact	1 set / 2 set (CSS115)	Stainless steel	Nickel plated
5	Silicone cover	1	Silicone	Pink • Yellow • Green • Cyan • Light gray • Black
6	Self tapping screw	4	Steel M1.6	Nickel plated • Black trivalent chromate
7	CR2032 sticker	1	PP	—

Accessories (Optional parts)



Exclusive PCB CSPB series
See page CSPB-1



Strap STPS series
See page STPS-1



PCB mounting screw EM-1.6
See page EM • MR-1



TORX screw MR1.6-6S
See page EM • MR-1



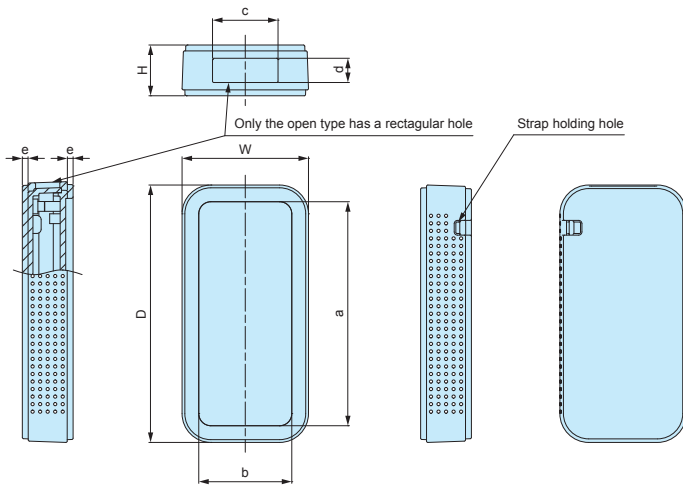
Neodymium magnet NMG series
See page NMG-1

Silicone Cover Type



Color Type

Code	B P Black / Pink	B Y Black / Yellow	B G Black / Green	B C Black / Cyan	B L Black / Light gray	B B Black / Black
Color						
Code	W P White / Pink	W Y White / Yellow	W G White / Green	W C White / Cyan	W L White / Light gray	W B White / Black
Color						



Type	None CSS75N/90N/115N	CR2032 × 1 CSS75/CSS90	R2032 × 2 CSS115
Battery compartment			

- DXF/DWG/PDF drawings available on our website.
- Refer to drawings on page CSPB-1 for suitable PCB dimensions and screw hole layout.

Product no. / Dimensions

Please suffix color code at the end of the product number.

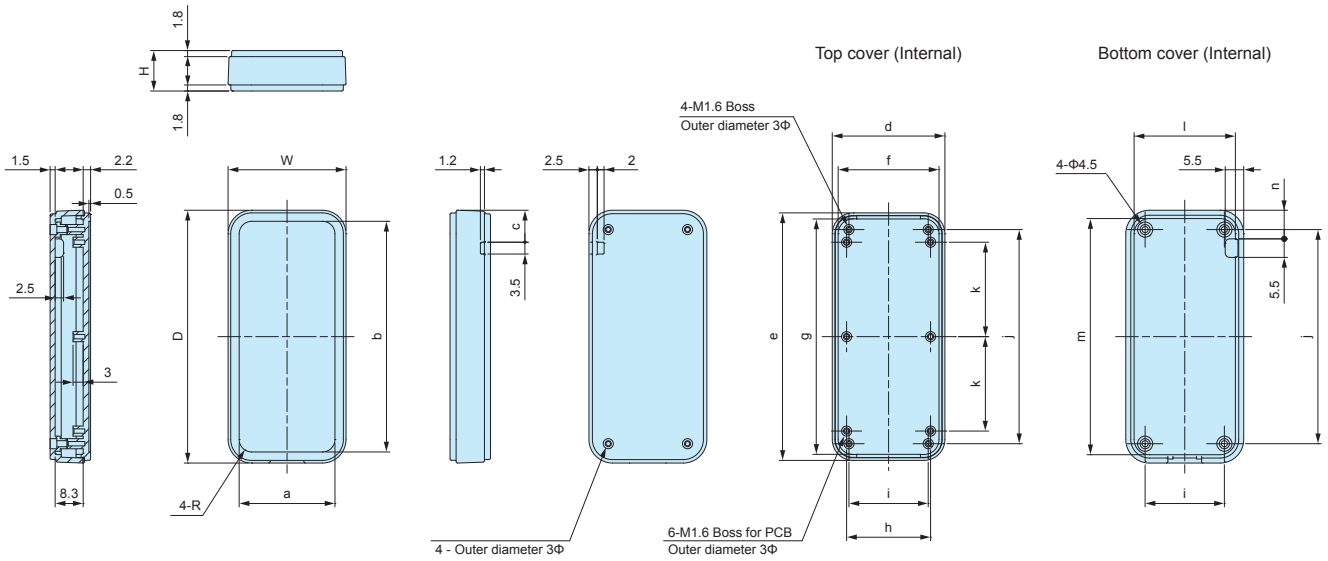
Product no.	W	H	D	a	b	c	d	e	Battery compartment	Weight (g)
CSS 75N-CL-□□	38.6(35)	15.5(12)	78.6 (75)	68.4	28.4	—	—	1.75	None	24
CSS 75N-OP-□□	38.6(35)	15.5(12)	78.6 (75)	68.4	28.4	20	7.4	1.75	None	24
CSS 75 -CL-□□	38.6(35)	15.5(12)	78.6 (75)	68.4	28.4	—	—	1.75	CR2032×1	25
CSS 75 -OP-□□	38.6(35)	15.5(12)	78.6 (75)	68.4	28.4	20	7.4	1.75	CR2032×1	25
CSS 90N-CL-□□	48.6(45)	15.5(12)	93.6 (90)	82.4	37.4	—	—	1.75	None	36
CSS 90N-OP-□□	48.6(45)	15.5(12)	93.6 (90)	82.4	37.4	30	7.4	1.75	None	35
CSS 90 -CL-□□	48.6(45)	15.5(12)	93.6 (90)	82.4	37.4	—	—	1.75	CR2032×1	38
CSS 90 -OP-□□	48.6(45)	15.5(12)	93.6 (90)	82.4	37.4	30	7.4	1.75	CR2032×1	37
CSS115N-CL-□□	67.1(63)	16 (12)	119.1(115)	107.4	55.4	—	—	2	None	62
CSS115N-OP-□□	67.1(63)	16 (12)	119.1(115)	107.4	55.4	45	7.4	2	None	61
CSS115 -CL-□□	67.1(63)	16 (12)	119.1(115)	107.4	55.4	—	—	2	CR2032×2	65
CSS115 -OP-□□	67.1(63)	16 (12)	119.1(115)	107.4	55.4	45	7.4	2	CR2032×2	64

() value = enclosure dimension.

CSS • CS dimensions

■ Drawings below are reference examples only.
DXF/DWG/PDF drawings available on our website.

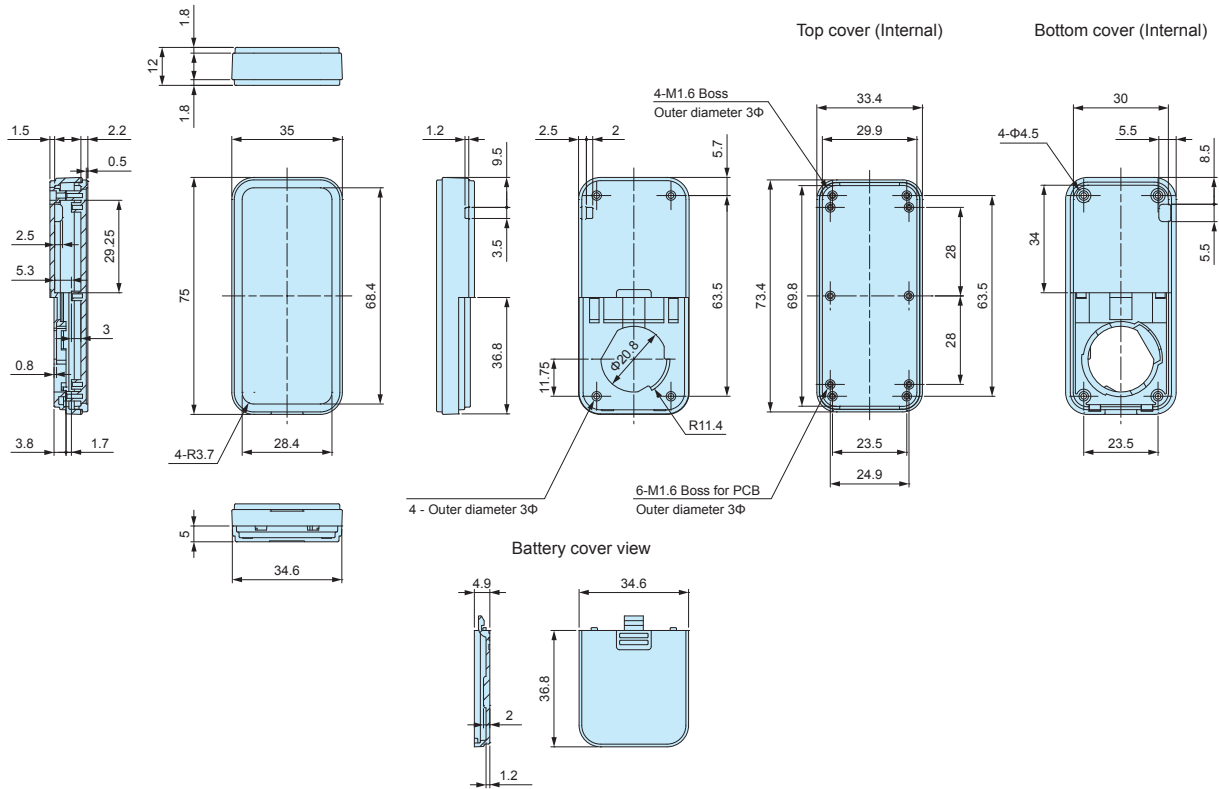
CS75N/CS90N/CS115N



Product no.	W	H	D	R	a	b	c	d	e	f	g	h	i	j	k	l	m	n
CS75 N-□	35	12	75	3.7	28.4	68.4	9.5	33.4	73.4	29.9	69.8	24.9	23.5	63.5	28	30	70	8.5
CS90 N-□	45	12	90	3.2	37.4	82.4	9.5	43.4	88.4	39.9	84.8	34.9	33.5	78.5	35.5	40	85	8.5
CS115N-□	63	12	115	4.7	55.4	107.4	10.5	61.4	113.4	57.9	109.8	52.9	50.5	102.5	47.5	58	110	9.5

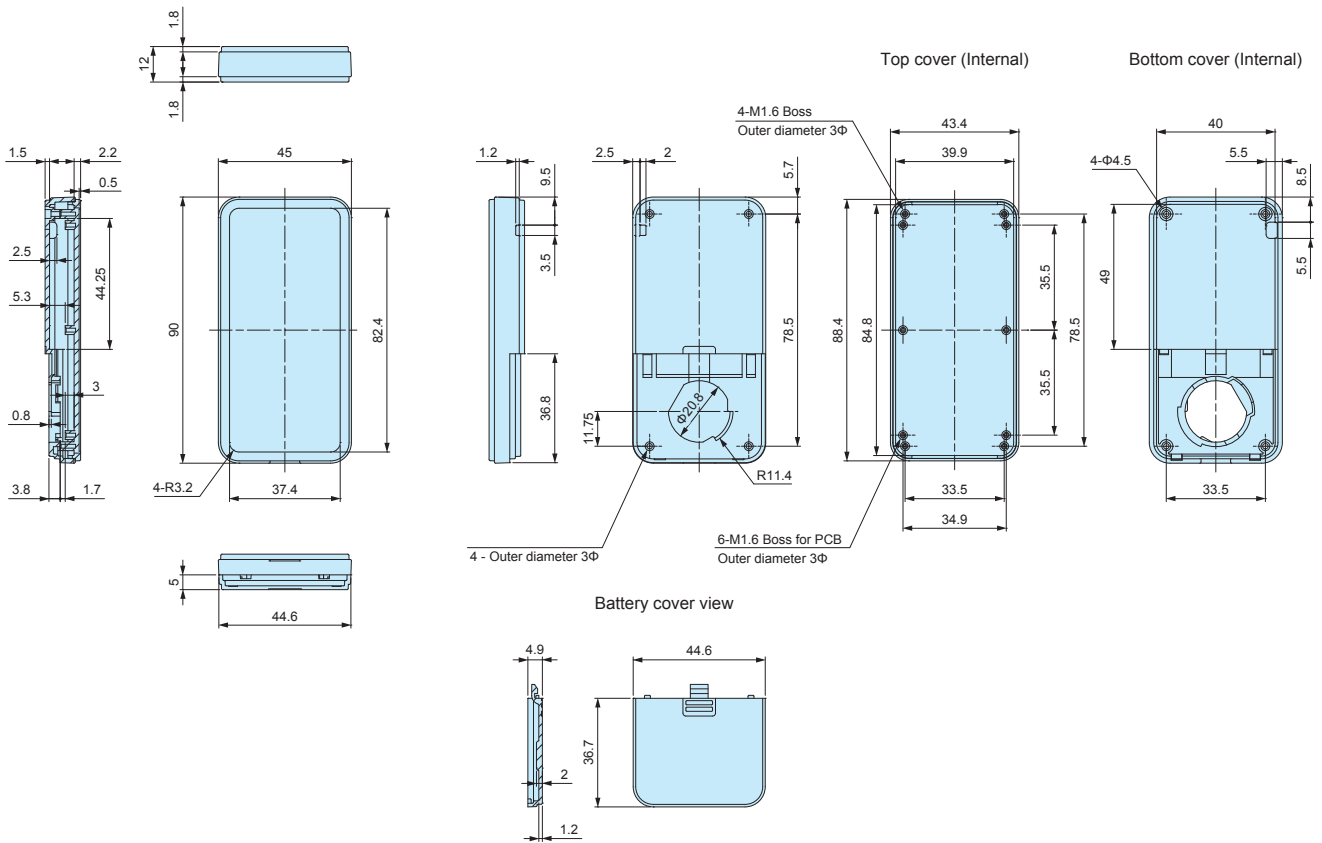
CS75

■ Refer to drawings on page CSPB-1 for suitable PCB dimension and screw hole layout.



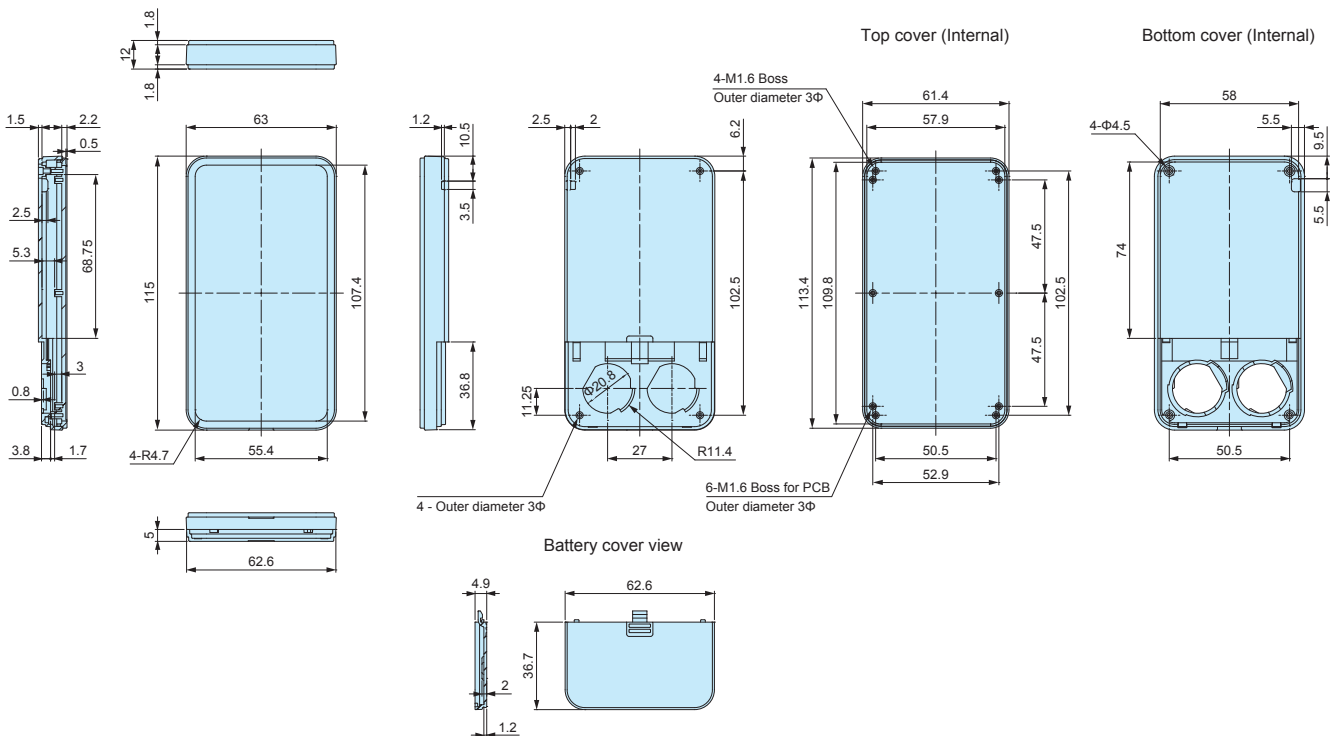
CS90

■ Refer to drawings on page CSPB-1 for suitable PCB dimension and screw hole layout.



CS115

■ Refer to drawings on page CSPB-1 for suitable PCB dimension and screw hole layout.



CSSC SERIES

SILICONE COVER

Silicone Cover Type



- 2 types of silicone cover which have with (Open) and without (Closed) rectangular cutout on the front side; selectable in 6 different colors.

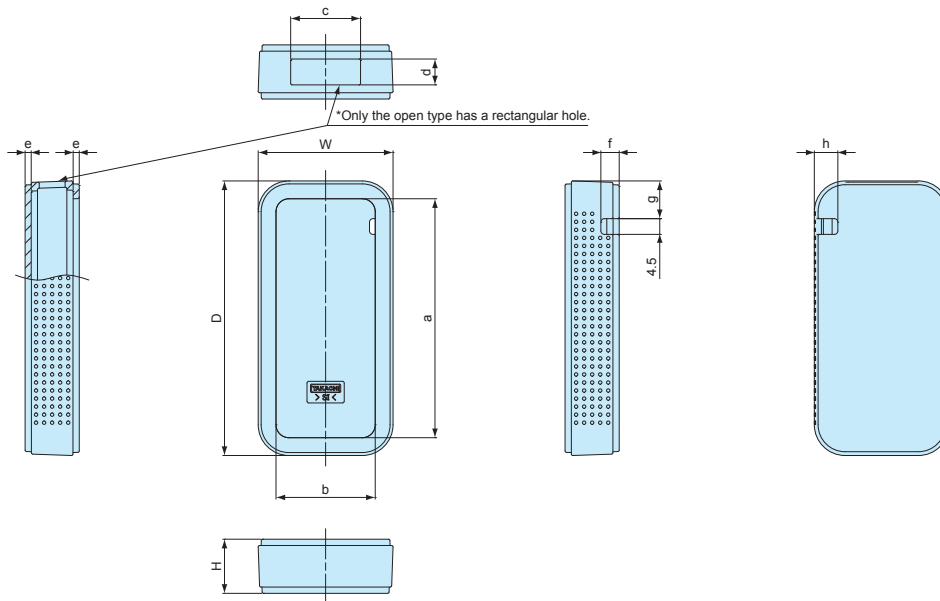
- Custom color is available from 1,000pcs per order batch.

For custom color order, please specify **PANTONE®**, RGB color number, or provide your sample color.

Color Type



- DXF/DWG/PDF drawings available on our website.



Components

Part name	Material	Color
Silicone cover	Silicone	Pink • Yellow • Green • Cyan • Light gray • Black

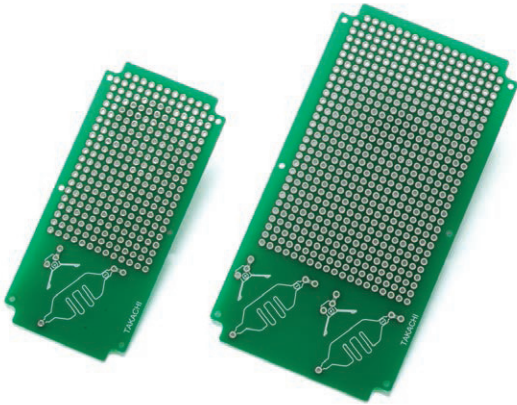
Product no. / Dimensions

- Please suffix color code at the end of the product number.

Product no.	W	H	D	a	b	c	d	e	f	g	h	Suitable case	Weight (g)
CSSC 75-CL-□	38.6	15.5	78.6	68.4	28.4	—	—	1.75	5.25	10.8	6.7	CS 75	12
CSSC 75-OP-□	38.6	15.5	78.6	68.4	28.4	20	7.4	1.75	5.25	10.8	6.7	CS 75	12
CSSC 90-CL-□	48.6	15.5	93.6	82.4	37.4	—	—	1.75	5.25	10.8	6.7	CS 90	18
CSSC 90-OP-□	48.6	15.5	93.6	82.4	37.4	30	7.4	1.75	5.25	10.8	6.7	CS 90	17
CSSC115-CL-□	67.1	16	119.1	107.4	55.4	—	—	2	5.5	12.1	7	CS115	32
CSSC115-OP-□	67.1	16	119.1	107.4	55.4	45	7.4	2	5.5	12.1	7	CS115	31

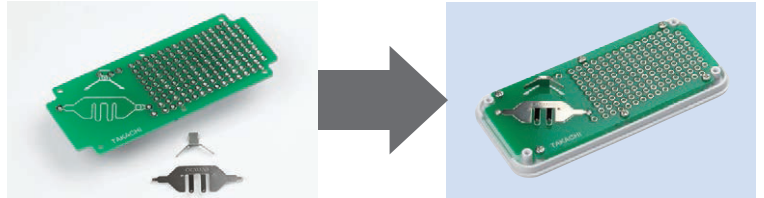
CSPB SERIES

EXCLUSIVE PCB for CS • CSS



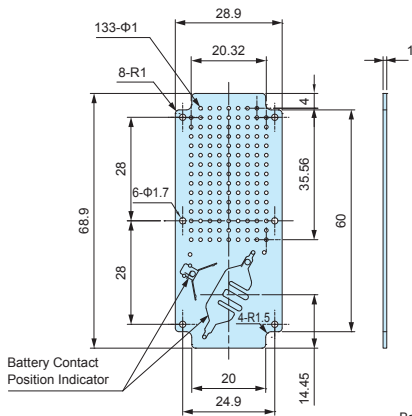
- Exclusive PCB for CS • CSS case.
- Glass epoxy board (FR-4), through-hole on both sides and 2.54mm hole distance.
- Prefabricated holes for battery contact use with CS • CSS case. The contact directions are printed on the PCB.

Soldering the battery contacts (included with each case) onto the PCB.

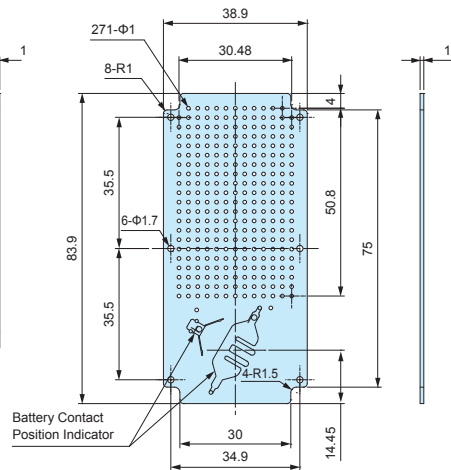


- DXF/DWG/PDF drawings available on our website.

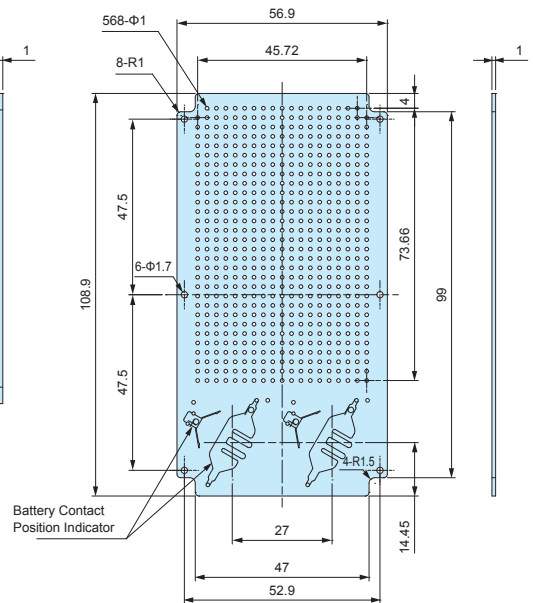
CSPB-75



CSPB-90



CSPB-115



Note : Holes (6-Φ1.7) for PCB mount bosses are un-soldered.

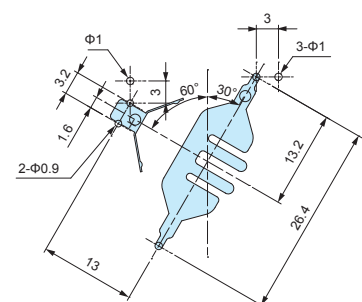
Components

Part name	Pcs	Material	Finish
PCB	1	Glass epoxy (FR-4) t=1.0	Through-hole • Lead-free solder • Solder resist
Self tapping screw	6	Steel M1.6	Trivalent chromate

Product no.

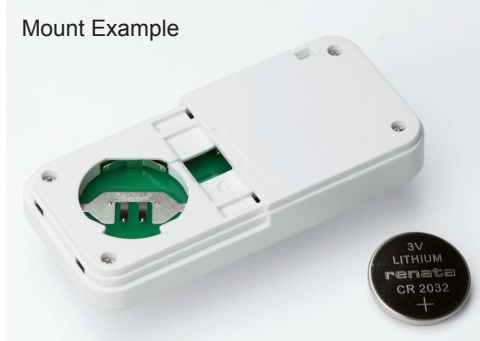
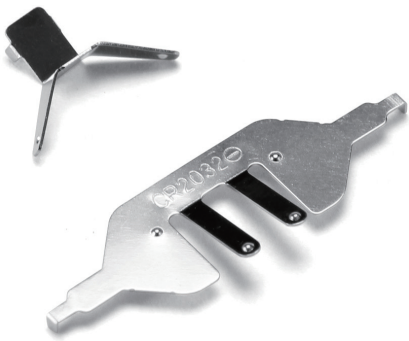
Product no.	Suitable case
CSPB- 75	CS75, CSS75
CSPB- 90	CS90, CSS90
CSPB-115	CS115, CSS115

Battery Contact Position Indicator Details



CST SERIES

CR2032 BATTERY CONTACT



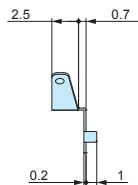
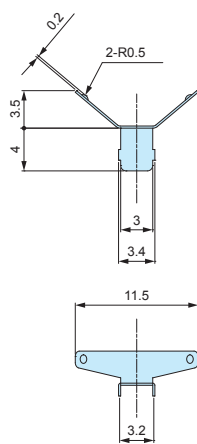
- Material : SUS304 / Nickel plated
- Battery contact for CR2032 coin cell.
- "CR2032" and "⊖" indicators are engraved on the negative side.
- Use with enclosures that utilizes CR2032 coin cells.

Product no. / Feature

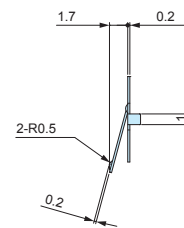
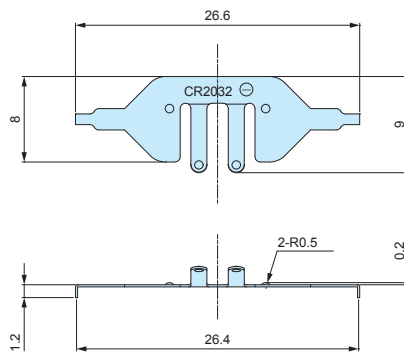
Product no.	Matching coin cell	Contact type	Weight (g)	Pack of
CST-2032P	CR2032	Through hole x 2	0.1	10
CST-2032M	CR2032	Through hole x 2	0.2	10

■ DXF/DWG/PDF drawings available on our website.

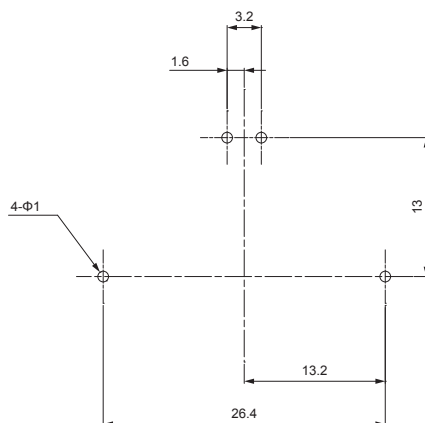
CST-2032P



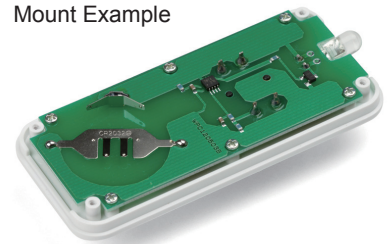
CST-2032M



Recommended PCB hole layout



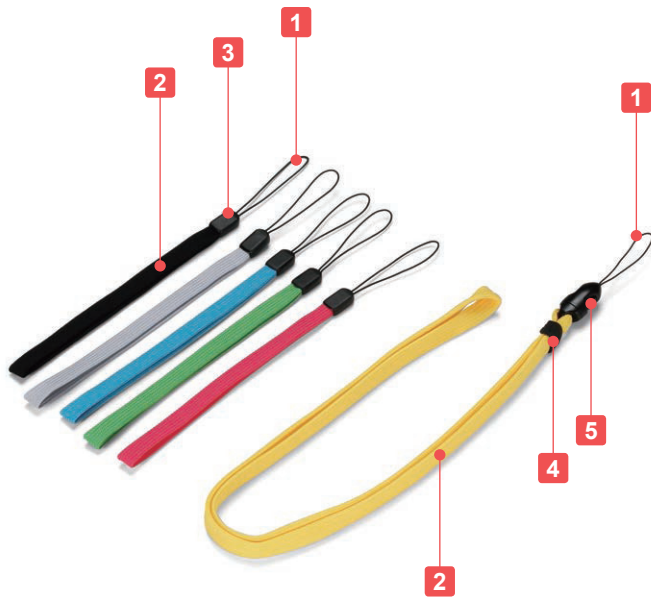
Mount Example



■ Refer to the mount example for mounting direction of contacts.

STPS SERIES

STRAP



Wrist strap (STPS-140P)



Neck strap (STPS-450Y)



- Colorful and sturdy straps best used with CSS, CS and PS series.
- Wrist and Neck straps are available in 6 unique colors.
- Neck strap comes with a quick-release joint, making removal or attachment quick and easy.



Color Type

Code	P Pink	Y Yellow	G Green	C Cyan	L Light gray	B Black
Color						

Components

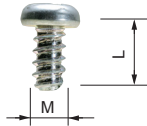
No.	Part name	Material	Color
1	String	Polyester	Black
2	Strap	Polyester	Pink • Yellow • Green • Cyan • Light gray • Black
3	Cap (wrist strap only)	Nylon	Black
4	Clamp (neck strap only)	Elastomer	Black
5	Joint (neck strap only)	Polyacetal	Black

Product no. / Dimensions

Product no.						Strap width	Strap length
○ Pink	● Yellow	● Green	● Cyan	● Light gray	● Black		
STPS-140P	STPS-140Y	STPS-140G	STPS-140C	STPS-140L	STPS-140B	8	140
STPS-450P	STPS-450Y	STPS-450G	STPS-450C	STPS-450L	STPS-450B	10	450

EM SERIES

PCB MOUNTING SCREW



- Self-tapping screws for mounting PCB on bosses or standoffs.
- EM-3-6 self-tapping screws are suitable for mounting 1.6mm or thicker PCB.

Product no. / Dimensions

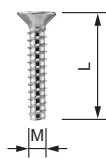
Product no.	M	L	Material	Finish	Suitable enclosures	Pack of
EM-1.6	1.6	4	Steel	Trivalent chromate	WC • CSS • CS • PS (M1.6 size)	50
EM-2	2	5	Steel	Trivalent chromate	PS • TW • TWN • TWF • WP (M2 size)	50
EM-2.3	2.3	6	Steel	Trivalent chromate	WH • LC • LCT • LCS • LCE • PFE WSC (Top cover bosses) PF • PFF (M2.3 size) TW • TWN • TWF (M2.3 size) WP (M2.3 size)	50
NEW EM-2.3-8	2.3	8	Steel	Trivalent chromate	WSC (Bottom base bosses)	50
EM-2.6	2.6	6	Steel	Trivalent chromate	PF • PFF • WP (M2.6 size)	50
EM-3	3	5	Steel	Trivalent chromate	SU TWS • TW • TWN • TWF (M3 sizes)	50
EM-3-6	3	6	Steel	Trivalent chromate		50

MR SERIES

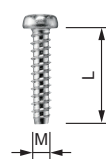
TORX SCREW



Countersunk head



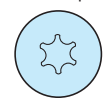
Pan head



With pin



★ Without pin



★ : MR1.6-6S, MR-2S, MR2.6-10□, and MR3-14□ are without pin.

Product no. / Dimensions

★Mark = Without pin

Product no.	M	L	head no.	Head style	Material	Finish	Suitable enclosures	Pack of
MR1.6-6S★	1.6	6	T3	Pan	Steel	Nickel plated	CS • CSS	20
MR2.5-8PS	2.5	8	T8	Pan	Steel	Nickel plated	PF • PFE • PFF (M2.5 size)	20
MR2.6-10S★	2.6	10	T8	Countersunk	Steel	Nickel plated	TW • TWN (M2.6 models) TWF (M2.6 models)	20
MR2.6-10B★	2.6	10	T8	Countersunk	Steel	Black trivalent chromate	MX • MXA • MXB • MXF (M2.6 models)	20
MR2.6-12PS	2.6	12	T8	Pan	Steel	Nickel plated	LCT • LCS • LC115-F2 / F3 LCT • LCS • LC145S-F6	20
MR2.6-14PS	2.6	14	T8	Pan	Steel	Nickel plated	LCT • LCS • LC115H-F2 / F3 / M2 / 9V LCT • LCS • LC135-F4 / M2 / M3 / 9V LCT • LCS • LC135H-F4 / M2 / M3 / 9V LCT • LCS • LC145-F6 / M2 / M4 LCT • LCS • LC145H-F6 / M2 / M4 LCT • LCS • LC165-M4 LCT • LCS • LC165H-M4	20
MR2.6-14S	2.6	14	T8	Countersunk	Steel	Nickel plated	LCT • LCS • LC115-N / F2 / F3 LCT • LCS • LC145S-F6 / 145S-N LCE115-N TW • TWN7-2-11 / 7-4-11 / 7-5-11 TWF7-2-11 / 7-4-11 / 7-5-11 / 8-2-8 / 8-4-8	20
MR2.6-18S	2.6	18	T8	Countersunk	Steel	Nickel plated	LCT • LCS • LC115H-N / F2 / F3 / M2 / 9V LCT • LCS • LC135-N / F4 / M2 / M3 / 9V LCT • LCS • LC135H-N / F4 / M2 / M3 / 9V LCT • LCS • LC145-N / F6 / M2 / M4 LCT • LCS • LC145H-N / F6 / M2 / M4 LCT • LCS • LC165-N / M4 LCT • LCS • LC165H-N / M4 LCE115H-N • LCE135-N • LCE145H-N • LCE165H-N	20
MR3-8PS	3	8	T10	Pan	Steel	Nickel plated	PF • PFE • PFF (M3 size)	20
MR3-14S★	3	14	T10	Countersunk	Steel	Nickel plated	TW • TWN (M3 models)	20
MR3-14B★	3	14	T10	Countersunk	Steel	Black trivalent chromate	TWF (M3 models) MX • MXA • MXB • MXF (M3 models)	20
MR-1S	3	5	T10	Countersunk	Steel	Nickel plated	UC	20
MR-1B	3	5	T10	Countersunk	Steel	Black trivalent chromate	UC • UCY • US	20
MR-2S	3	10	T10	Countersunk	Steel	Nickel plated	HEN	20

NMG SERIES

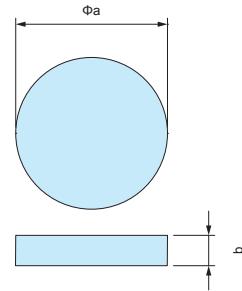
NEODYMIUM MAGNET



Round magnet



- Material / Finish: Neodymium / Nickel plated
- Please attach using a strong adhesive.



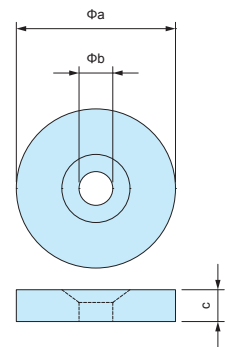
Components

Product no.	a	b	Weight (g)	Flus Density	Adsorption
NMG3-15N	15	3	4	214.4 mT	2.44 kgf
NMG3-20N	20	3	7.1	170.7 mT	3.26 kgf
NMG5-22N	22	5	11.4	247.2 mT	5.91 kgf
NMG5-25N	25	5	18.4	221.9 mT	6.89 kgf

Round magnet with countersunk hole



- Please fasten with a screw.



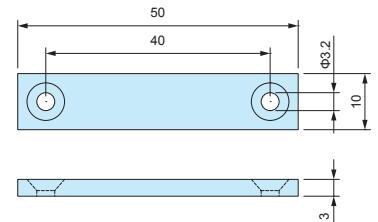
Components

Product no.	a	b	c	Countersunk size	Weight (g)	Flus Density	Adsorption
NMG3-15M3	15	3.2	3	M3	3.8	214.3 mT	2.33 kgf
NMG3-20M3	20	3.2	3	M3	6.9	170.6 mT	3.17 kgf
NMG5-22M4	22	4.3	5	M4	13.7	247.2 mT	5.68 kgf
NMG5-25M5	25	5.3	5	M5	17.6	221.9 mT	6.58 kgf

Rectangular magnet with countersunk holes



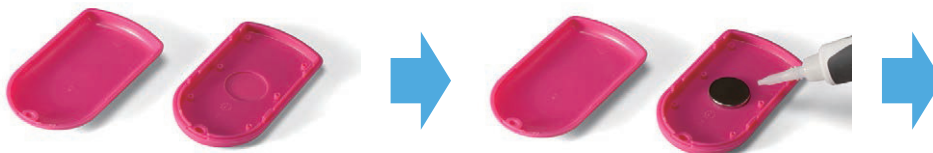
- Please fasten with a screw.



Components

Product no.	a	b	c	Countersunk size	Weight (g)	Flus Density	Adsorption
NMG3-50M3	50	10	3	M3	11.3	210.0 mT	9.1 kgf

Example 1 The magnetic force remains strong even through plastic.



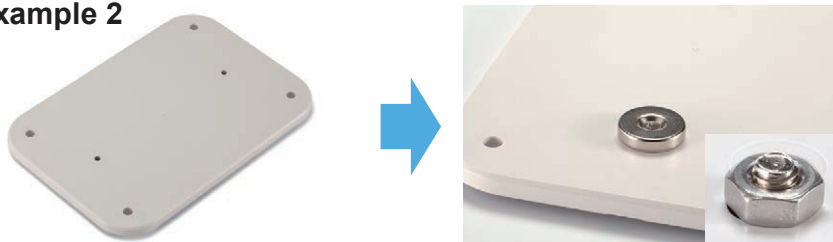
Make recessed pocket on the inside wall.

Glue on.



Attach onto a metallic surface.

Example 2



Make holes

Fasten with a screw and nut.



Attach onto a metallic surface.

CAUTION: Handle with care to avoid personal injury or damage to the magnet.