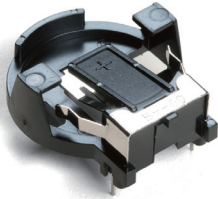


**BH-50N** SERIES

**CR2450 COIN CELL HOLDER**



Technical Data
Operating temperature: -20°C ~ +70°C

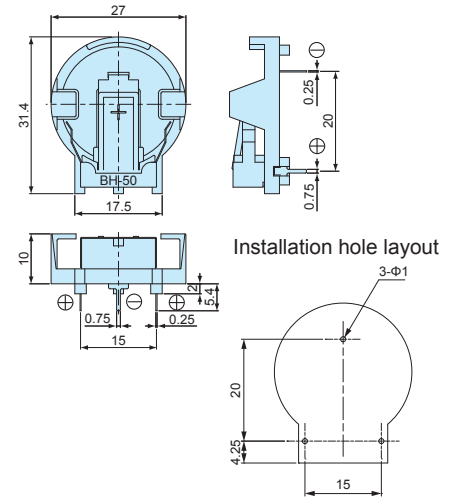
**Components**

Holder material	Holder color	Contact material	Contact finish
Polyphenylene oxide (UL94V-0)	Black	Stainless steel	Nickel plated

**Product no. / Feature**

Product no.	Battery	Contact type	Weight (g)	Pack of
BH-50N	CR2450	Through hole x 3	2.7	1
BH-50N-T	CR2450	Through hole x 3	—	50 pcs / tray

■ DXF/DWG/PDF drawings available on our website.



**BV-50N** SERIES

**CR2450 VERTICAL COIN CELL HOLDER**



Technical Data
Operating temperature: -20°C ~ +70°C

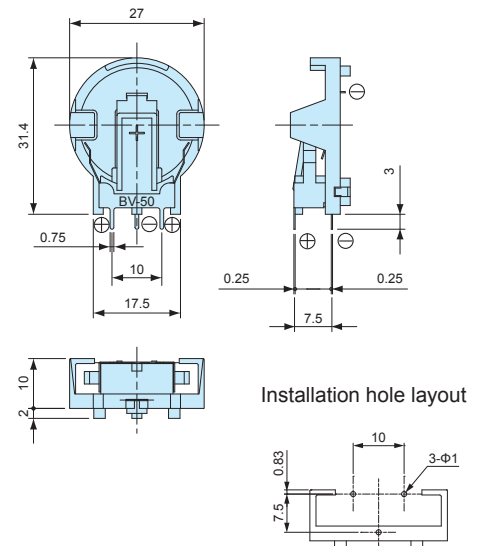
**Components**

Holder material	Holder color	Contact material	Contact finish
Polyphenylene oxide (UL94V-0)	Black	Stainless steel	Nickel plated

**Product no. / Feature**

Product no.	Battery	Contact type	Weight (g)	Pack of
BV-50N	CR2450	Through hole x 3	2.7	1
BV-50N-T	CR2450	Through hole x 3	—	50 pcs / tray

■ DXF/DWG/PDF drawings available on our website.



**CH74** SERIES

**CR2032 VERTICAL COIN CELL HOLDER**



Technical Data
Operating temperature: -40°C ~ +80°C

**Components**

Holder material	Holder color	Contact material	Contact finish
Nylon 66 (UL94V-0)	Black	Phosphor bronze	Sn plated

**Product no. / Feature**

Product no.	Battery	Contact type	Weight (g)	Pack of
CH74-2032LF	CR2032	Through hole x 3	1.8	1
CH74-2032LF-T	CR2032	Through hole x 3	—	75 pcs / tray

■ DXF/DWG/PDF drawings available on our website.

