

BMP-Z SERIES

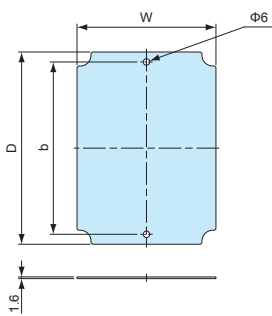
STEEL MOUNTING PLATE

- Tough but easily customizable.
- Large sized (BMP5060Z, 5070Z and 6080Z) plates have a 90° bent edge.

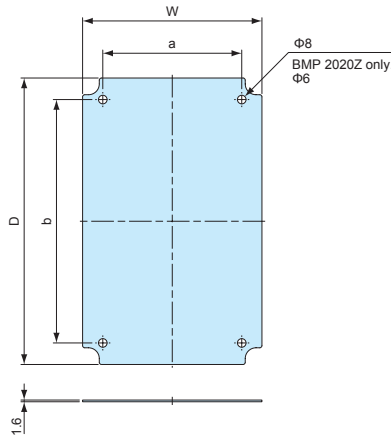
- Customization services (machining, punch press or clinching nut insertion) are available. See website for more details.



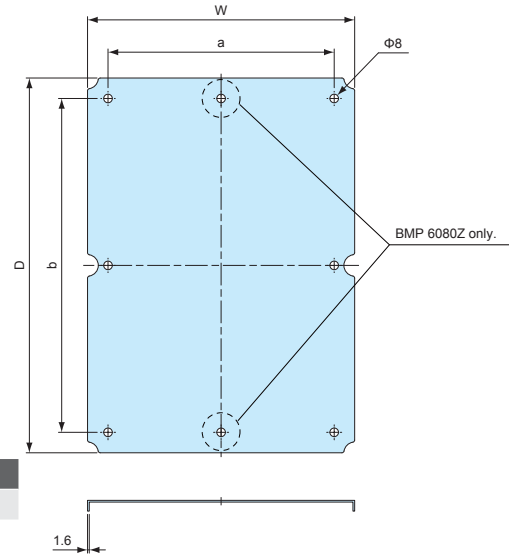
BMP0912Z ~ 1727Z



BMP1928Z ~ 4060Z



BMP5060Z ~ 6080Z



- DXF/DWG/PDF drawings available on our website.

Components

Part name	Material	Finish
Mounting plate	Steel t=1.6	Zinc coated

Product no. / Dimensions

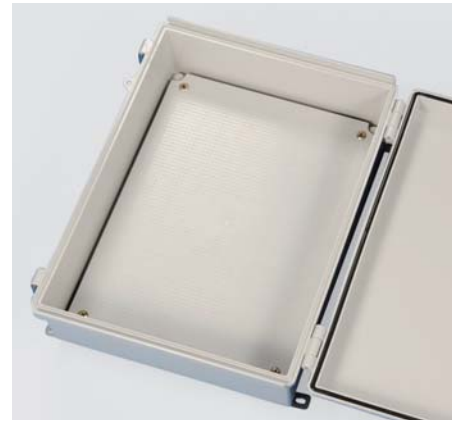
Product no.	W	D	a	b	Suitable box	Weight (g)
BMP0912Z	58	88	-	69	BCAP • R, BCPC • K • R 091207, 091208	53
BMP0813Z	68	118	-	99	BCAP • R, BCPC • K • R 101507, 101508	87
BMP1121Z	77	177	-	158	BCAP • R, BCPC • K • R 112107, 112110	159
BMP1126Z	77	227	-	208	BCAP • R, BCPC • K • R 112607, 112610	210
BMP1315Z	102	122	-	110	BCAP • R, BCPC • K • R 131508	141
BMP1217Z	102	152	-	140	BCAP • R, BCPC • K • R 131808, 131810	180
BMP1515Z	121	121	-	110	BCAP BCPC • K 151509, 151512	172
BMP1520Z	126	176	-	160	BCAP • R, BCPC • K • R 162110, 162113	262
BMP1525Z	127	227	-	210	BCAP • R, BCPC • K • R 162610, 162613	346
BMP1722Z	137	187	-	160	BCAP • R, BCPC • K • R 172211	308
BMP1727Z	137	237	-	210	BCAP • R, BCPC • K • R 172711	391
BMP1928Z	157	247	120	210	BCAP • R, BCPC • K • R 192810, 192814	462.5
BMP2020Z	176	176	120	150	BCAP • R, BCPC • K • R 212110, 212113	371
BMP2030Z	165	265	129	226	BCAP • R, BCPC • K • R 203013, 203015, 203018	519
BMP2535Z	215	315	180	270	BCAP • R, BCPC • K • R 253515, 253518	816
BMP2828Z	246	246	210	210	BCAP • R, BCPC • K • R 282813	727.5
BMP2838Z	246	346	210	310	BCAP • R, BCPC • K • R 283813	1,018
BMP3030Z	264	264	219	219	BCAP • R, BCPC • K • R 303015, 303018	826.5
BMP3040Z	265	365	228	325	BCAP • R, BCPC • K • R 304012, 304015, 304018	1,154
BMP3535Z	315	315	270	270	BCAP • R, BCPC • K • R 353515, 353518	1,196.5
BMP3545Z	301	401	274	365	BCAP • R, BCPC • K • R 354512, 354516, 354520	1,443
BMP4050Z	354	454	328	428	BCAP BCPC • K 405016, 405020	1,998
BMP4060Z	354	551	328	525	BCAP BCPC • K 406018, 406023	2,328
BMP5060Z	474	574	426	526	BCAP • R, BCPC • K • R 506018, 506025	3,286
BMP5070Z	472	672	426	626	BCAP • R, BCPC • K • R 507018, 507025	3,864
BMP6080Z	565	765	526	726	BCAP • R, BCPC • K • R 608018, 608028	5,288.5

■ K = BCPK series / R = BCAR • BCPR series

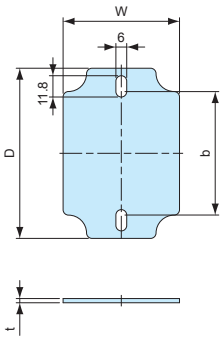
BMP-P SERIES

PLASTIC MOUNTING PLATE

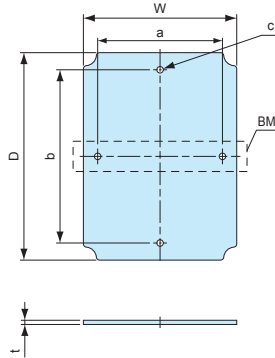
- Lightweight ABS plastic mounting plate.
- Flat plate: BMP0811P ~ BMP1515P
Ribbed plate: BMP1520P ~ BMP4050P
- DXF/DWG/PDF drawings available on our website.



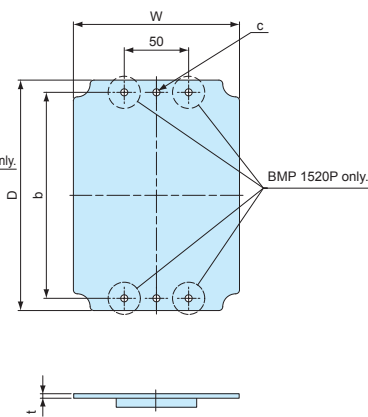
BMP0811P (Flat)



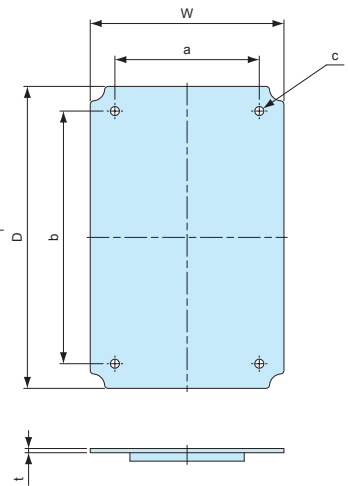
BMP0813P, 1515P (Flat)



BMP1520P, 1525P (Ribbed)



BMP1928P ~ 4050P (Ribbed)



Components

Part name	Material	Color
Mounting plate	ABS	White gray

Product no. / Dimensions

Product no.	W	D	a	b	t	c (Φ)	Suitable box	Weight (g)
BMP0811P	64.5	94.3	-	68.4	3.5	-	BCAP • R, BCPC • K • R 091207, 091208	21
BMP0813P	64.5	114.5	-	99	3	Φ6	BCAP • R, BCPC • K • R 101507, 101508	24
BMP1121P	76.5	176	-	158	3	Φ6	BCAP • R, BCPC • K • R 112107, 112110	40
BMP1126P	76.5	226	-	208	3	Φ6	BCAP • R, BCPC • K • R 112607, 112610	53
BMP1315P	101.5	121.5	-	110	3.5	Φ5.5	BCAP • R, BCPC • K • R 131508	36
BMP1217P	109.5	160	-	140	4	Φ6	BCAP • R, BCPC • K • R 131808, 131810	62
BMP1515P	123	123	110	110	3.5	Φ6	BCAP BCPC • K 151509, 151512	52
BMP1520P	129	179	-	160	3.5	Φ5.5	BCAP • R, BCPC • K • R 162110, 162113, 172211	92
BMP1525P	129	228.5	-	210	3.5	Φ6	BCAP • R, BCPC • K • R 162610, 162613, 172711	112
BMP1928P	158.5	248	120	210	3.5	Φ8	BCAP • R, BCPC • K • R 192810, 192814	162
BMP2020P	178.5	178.5	120	150	3.5	Φ5.5	BCAP • R, BCPC • K • R 212110, 212113	125
BMP2030P	166.5	266	128	225.5	4	Φ8	BCAP • R, BCPC • K • R 203013, 203015, 203018	188
BMP2535P	215.5	315	180	268.5	4	Φ8	BCAP • R, BCPC • K • R 253515, 253518	292
BMP2828P	248.5	248.5	210	210	4	Φ8	BCAP • R, BCPC • K • R 282813	237
BMP2838P	248	347.5	209	309.5	4	Φ8	BCAP • R, BCPC • K • R 283813	368
BMP3030P	262.5	262.5	219	219	4	Φ7.5	BCAP • R, BCPC • K • R 303015, 303018	281
BMP3040P	264.5	364	227	323	4	Φ8	BCAP • R, BCPC • K • R 304012, 304015, 304018	437
BMP3535P	313.5	313.5	269.5	269.5	4	Φ8	BCAP • R, BCPC • K • R 353515, 353518	424.5
BMP3545P	305	405.5	273	364	4	Φ8	BCAP • R, BCPC • K • R 354512, 354516, 354520	539
BMP4050P	357	457	328	428	4	Φ8.5	BCAP BCPC • K 405016, 405020	725.5

■ K = BCPK series / R = BCAR • BCPR series



TAKACHI ELECTRONICS ENCLOSURE CO., LTD.

3-21-16 Higashi-ryoke, Kawaguchi-shi, Saitama, 332-0003 JAPAN

Tel. +81-48-222-5409 / Fax. +81-48-222-7652

November 11, 2019

Notice

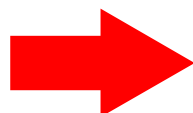
BMP-P series Plastic Mounting Plate Changes to Underside (bottom) Shape

■ Affected models

Product Number	Status
BMP0811P	Pending (est. 2nd Quarter 2020)
BMP0818P	Pending (est. 2nd Quarter 2020)
BMP1126P	Pending (est. 3rd Quarter 2020)
BMP1212P	Pending (est. 2nd Quarter 2020)
BMP1217P	Changed

■ Changes : Underside shape/construction

Current shape



New shape



■ Purpose : For the reinforcement and strengthening of small-sized plastic mounting plate(s).

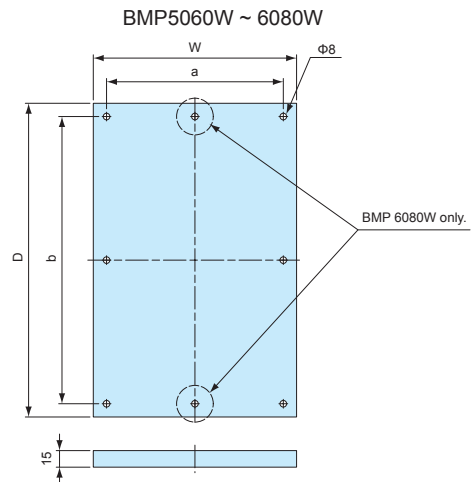
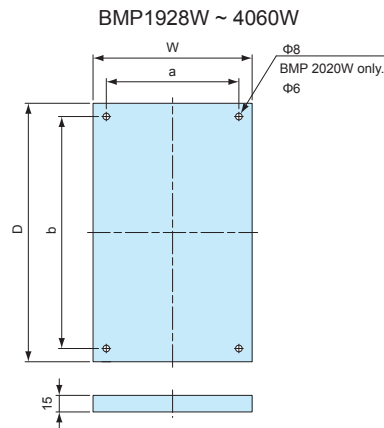
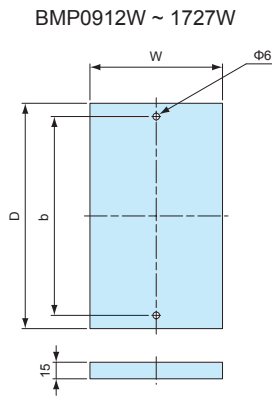
■ Effective date : Once present stock has run out.

■ Note : There will be no changes to product number, color, or pricing.

BMP-W SERIES

WOODEN MOUNTING PLATE

- Easy installation with tapping screws.
- Easily customizable hard wooden plate.
- Plate comes with scales printed on for easy references.
- DXF/DWG/PDF drawings available on our website.



Components

Part name	Pcs	Material	Color / Finish
Mounting plate	1	Wood board t=15	Scaled sheet
Screw	2 ~ 8	Steel	Trivalent chromate

Product no. / Dimensions

Product no.	W	D	a	b	Suitable box	Screw	Weight (g)
BMP0912W	58	92	-	69	BCAP • R, BCPC • K • R 091207, 091208	M4-20 × 2 pcs	62
BMP0813W	68	122	-	99	BCAP • R, BCPC • K • R 101507, 101508	M4-20 × 2 pcs	94
BMP1121W	77	181	-	158	BCAP • R, BCPC • K • R 112107, 112110	M4-20 × 2 pcs	166
BMP1126W	77	231	-	208	BCAP • R, BCPC • K • R 112607, 112610	M4-20 × 2 pcs	191
BMP1315W	102	126	-	110	BCAP • R, BCPC • K • R 131508	M4-20 × 2 pcs	127
BMP1217W	102	156	-	140	BCAP • R, BCPC • K • R 131808, 131810	M4-20 × 2 pcs	190
BMP1515W	118	125	-	110	BCAP BCPC • K 151509, 151512	M4-20 × 2 pcs	172
BMP1520W	126	180	-	160	BCAP • R, BCPC • K • R 162110, 162113	M4-20 × 2 pcs	243
BMP1525W	127	231	-	210	BCAP • R, BCPC • K • R 162610, 162613	M4-20 × 2 pcs	352
BMP1722W	137	191	-	160	BCAP • R, BCPC • K • R 172211	M4-20 × 2 pcs	286
BMP1727W	137	241	-	210	BCAP • R, BCPC • K • R 172711	M4-20 × 2 pcs	212
BMP1928W	150	240	120	210	BCAP • R, BCPC • K • R 192810, 192814	M5-20 × 4 pcs	350
BMP2020W	170	174	120	150	BCAP • R, BCPC • K • R 212110, 212113	M4-20 × 4 pcs	336
BMP2030W	159	256	129	226	BCAP • R, BCPC • K • R 203013, 203015, 203018	M5-20 × 4 pcs	482
BMP2535W	210	300	180	270	BCAP • R, BCPC • K • R 253515, 253518	M5-20 × 4 pcs	688
BMP2828W	240	240	210	210	BCAP • R, BCPC • K • R 282813	M5-20 × 4 pcs	565
BMP2838W	240	340	210	310	BCAP • R, BCPC • K • R 283813	M5-20 × 4 pcs	893
BMP3030W	249	249	219	219	BCAP • R, BCPC • K • R 303015, 303018	M5-20 × 4 pcs	659
BMP3040W	258	355	228	324	BCAP • R, BCPC • K • R 304012, 304015, 304018	M5-20 × 4 pcs	965
BMP3535W	300	300	270	270	BCAP • R, BCPC • K • R 353515, 353518	M5-20 × 4 pcs	964
BMP3545W	301	395	274	365	BCAP • R, BCPC • K • R 354512, 354516, 354520	M5-20 × 4 pcs	1,314
BMP4050W	355	455	328	428	BCAP BCPC • K 405016, 405020	M5-20 × 4 pcs	1,754
BMP4060W	355	552	328	525	BCAP BCPC • K 406018, 406023	M5-20 × 4 pcs	2,015.5
BMP5060W	456	556	426	526	BCAP • R, BCPC • K • R 506018, 506025	M5-20 × 6 pcs	2,650
BMP5070W	456	656	426	626	BCAP • R, BCPC • K • R 507018, 507025	M5-20 × 6 pcs	3,152.5
BMP6080W	556	756	526	726	BCAP • R, BCPC • K • R 608018, 608028	M5/M6-20 × 8 pcs	4,434

■ K = BCPC series / R = BCAR • BCPR series