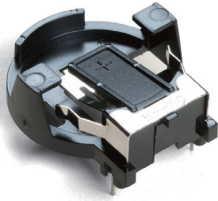


BH-50N SERIES

CR2450 COIN CELL HOLDER



| Technical Data |
|--------------------------------------|
| Operating temperature: -20°C ~ +70°C |

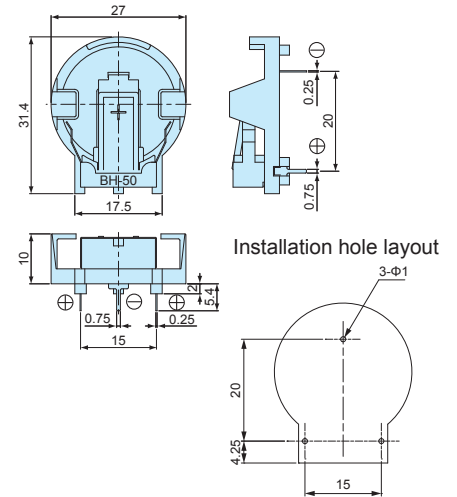
Components

| Holder material | Holder color | Contact material | Contact finish |
|-------------------------------|--------------|------------------|----------------|
| Polyphenylene oxide (UL94V-0) | Black | Stainless steel | Nickel plated |

Product no. / Feature

| Product no. | Battery | Contact type | Weight (g) | Pack of |
|-------------|---------|------------------|------------|---------------|
| BH-50N | CR2450 | Through hole x 3 | 2.7 | 1 |
| BH-50N-T | CR2450 | Through hole x 3 | — | 50 pcs / tray |

■ DXF/DWG/PDF drawings available on our website.



BV-50N SERIES

CR2450 VERTICAL COIN CELL HOLDER



| Technical Data |
|--------------------------------------|
| Operating temperature: -20°C ~ +70°C |

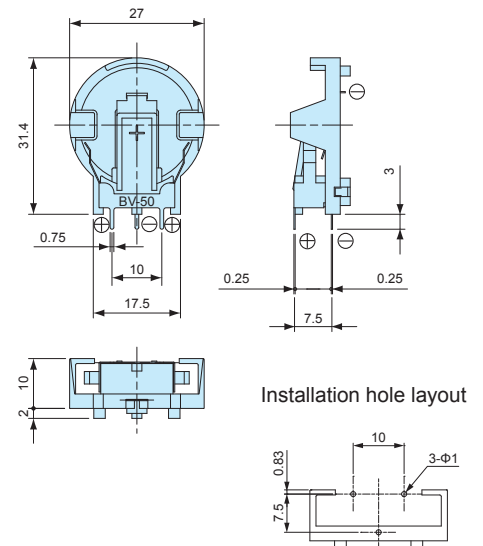
Components

| Holder material | Holder color | Contact material | Contact finish |
|-------------------------------|--------------|------------------|----------------|
| Polyphenylene oxide (UL94V-0) | Black | Stainless steel | Nickel plated |

Product no. / Feature

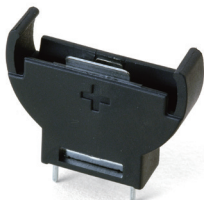
| Product no. | Battery | Contact type | Weight (g) | Pack of |
|-------------|---------|------------------|------------|---------------|
| BV-50N | CR2450 | Through hole x 3 | 2.7 | 1 |
| BV-50N-T | CR2450 | Through hole x 3 | — | 50 pcs / tray |

■ DXF/DWG/PDF drawings available on our website.



CH74 SERIES

CR2032 VERTICAL COIN CELL HOLDER



| Technical Data |
|--------------------------------------|
| Operating temperature: -40°C ~ +80°C |

Components

| Holder material | Holder color | Contact material | Contact finish |
|--------------------|--------------|------------------|----------------|
| Nylon 66 (UL94V-0) | Black | Phosphor bronze | Sn plated |

Product no. / Feature

| Product no. | Battery | Contact type | Weight (g) | Pack of |
|---------------|---------|------------------|------------|---------------|
| CH74-2032LF | CR2032 | Through hole x 3 | 1.8 | 1 |
| CH74-2032LF-T | CR2032 | Through hole x 3 | — | 75 pcs / tray |

■ DXF/DWG/PDF drawings available on our website.

