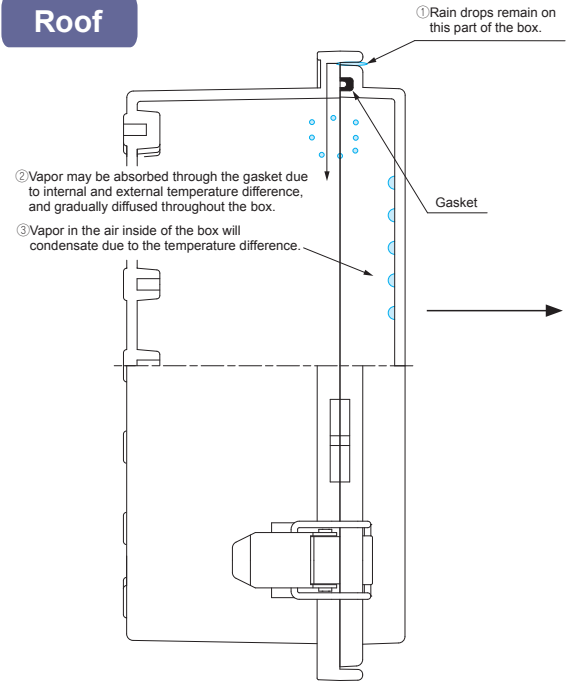


PLASTIC WATERPROOF BOX OUTDOOR USE

*Below are application examples for outdoor use of plastic waterproof boxes. Depending on the usage environment, effectiveness may vary.

Roof



When installing waterproof box outdoors, installation under a roof, or attaching a roof accessory is recommended to prevent condensation inside the box. This is especially so for transparent lid models which are affected by direct sunlight, causing the temperature inside of the box to be higher than non-transparent lid models. Higher internal temperature (compared to the external part of the box) may cause vapor absorption, hence the importance of attaching a roof accessory.



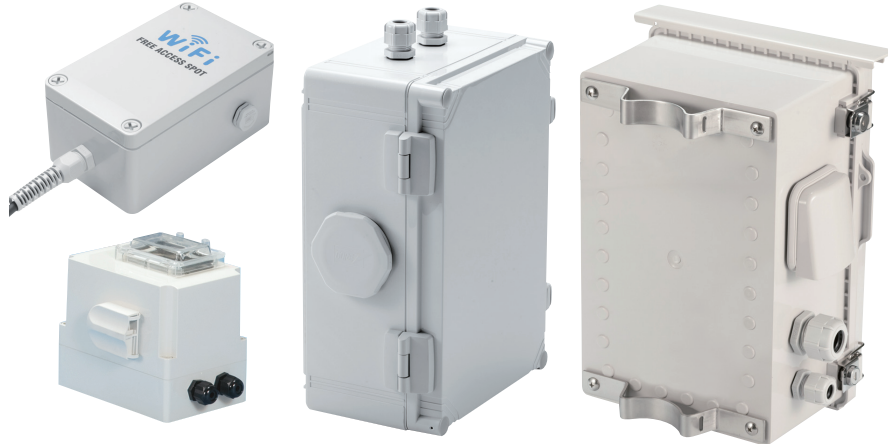
■ Without roof attachment



■ With roof attachment

Protective Vent • Louver • Ventilation

Use to prevent condensation, as well as for ventilation. (Suitable parts vary depending on environment).



- Protective Vent
PMF Series
See PMF pages
- Louver
V Series
See V • VF pages
- Ventilation Parts
VF series
See V • VF pages

Weather Resistant Coating

Weather resistant paint coating to protect against color fade and degradation. (ABS Plastic / 1 year exposure)



WEATHERBILITY / DURABILITY TEST DATA for IP rated boxes

Weather resistance is the ability of a material to prevent corrosion, loss of material or any sort of deterioration due to prolonged exposure to harsh environmental and weather conditions.

The test data for our weather resistance waterproof/dustproof cases are as detailed below.

TEST DETAILS • TEST INSTRUMENT

Tester : Super Xenon Weather Meter SX75 - Suga Test Instruments Co., Ltd.
 (Testing under conditions closest to the spectral distribution of sunlight by utilizing a xenon lamp and filter system.)
 Irradiation Condition : 180 W/m² at 300 ~ 400nm
 Black panel humidity : 63±3 °C
 Relative Humidity : 50±10 %
 Cycle conditions : 120 minutes (18 min. irradiation + water spray and 102 min. irradiation)
 Test Time : 500 hours (continuous test)
 Radiation Exposure : 324 MJ/m²
 Measurements : Color measurements performed based upon JIS Z 8722 standard, with the results based upon JIS Z8781-4 standard.
 *Lesser color difference infers better weather resistance.

TEST DATA

*Test data results are reference data only; does not reflect actual usage conditions.

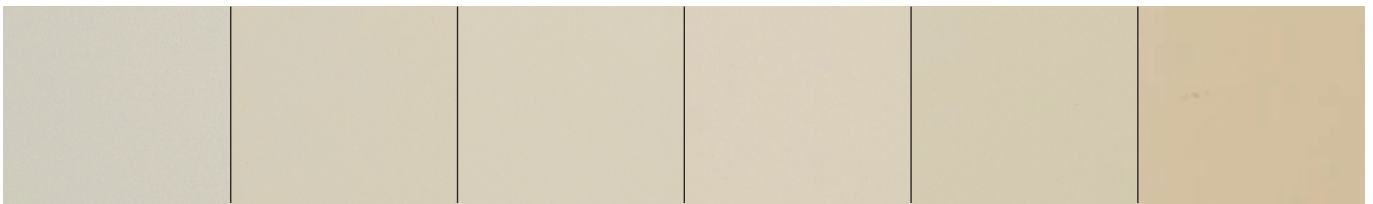
Before testing (plastic material color)



① ② ③ ④ ⑤ ⑥



After 500 hours testing (plastic material color)

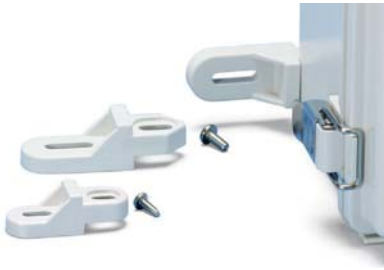


| No. | Target box / Material | Test time | Color difference ΔEab |
|-----|---|-----------|-----------------------|
| ① | WP series - G color type ASA material | 100 hrs. | 0.9 |
| | | 500 hrs. | 3.3 |
| ② | SPCP • SPCM series (Body) Glassfiber-filled Polycarbonate material | 100 hrs. | 2.9 |
| | | 500 hrs. | 7.8 |
| ③ | BCPC • BCPK series (Top cover) Polycarbonate material | 100 hrs. | 3.8 |
| | | 500 hrs. | 7.9 |
| ④ | BCPC • BCPK series (Base) Glassfiber-filled Polycarbonate material | 100 hrs. | 4.7 |
| | | 500 hrs. | 8.6 |
| ⑤ | SPCP • SPCM series (Cover) Polycarbonate material | 100 hrs. | 3.7 |
| | | 500 hrs. | 10.6 |
| ⑥ | BCAP series ABS material | 100 hrs. | 3.6 |
| | | 500 hrs. | 10.8 |

Better weather resistance



IP65 LATCH-HINGED PLASTIC BOX



Stainless steel and plastic mounting brackets are available. See page 256



BCAR • BCPR series comes with an attachable BRF series outdoor roof. See page 245 ~ 246 and 251 ~ 252



Pole mounting bracket for pole installation See page 257 ~ 258



Dust protection cap (for lock/key type) See page 252



Cable gland For waterproofing enclosure openings for cables and wires See cable gland pages



Mounting plate 3 types of mounting plates are available (plastic / steel / wood) See page 253 ~ 255

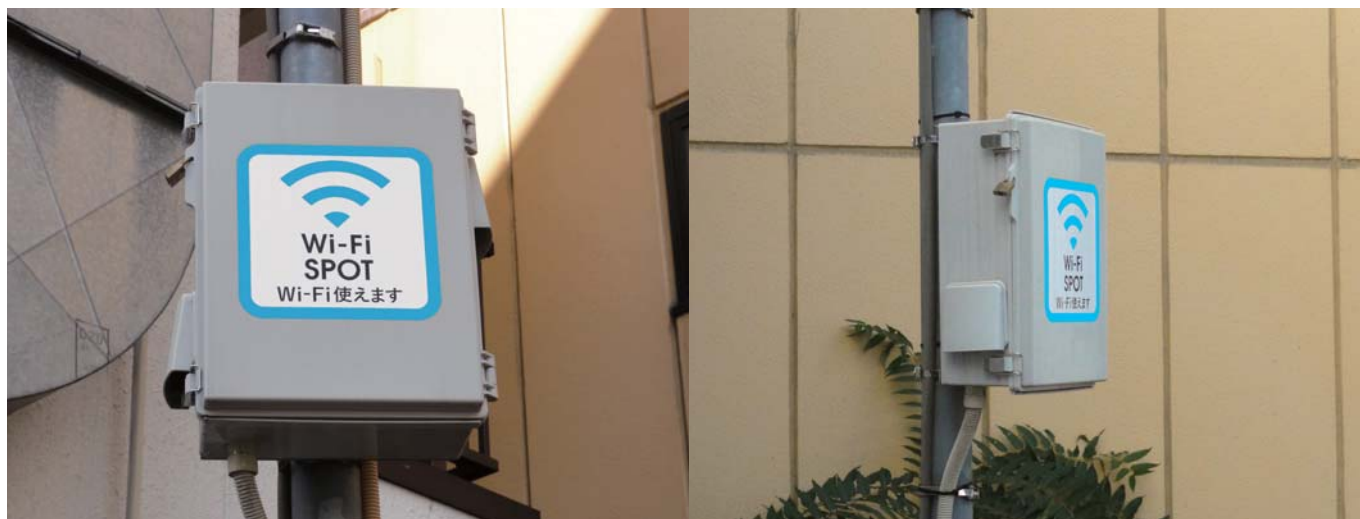


Ventilation cover For heat dissipation and prevention of condensation build-up See page 262

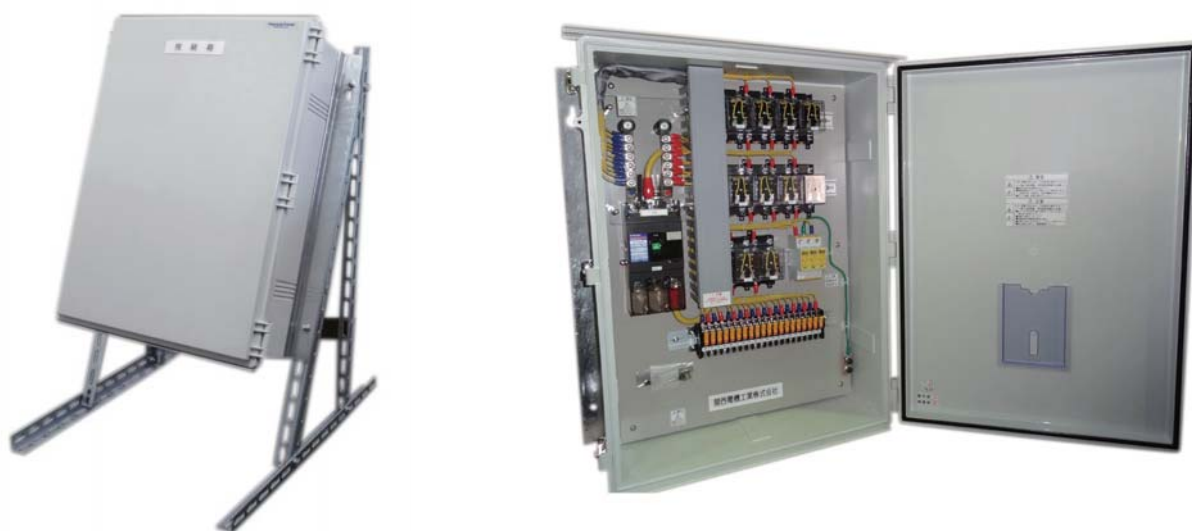
APPLICATION EXAMPLE

Universal plastic enclosure series suitable for a wide range of applications such as FA/control, electrical switchboard, network communication and so on.

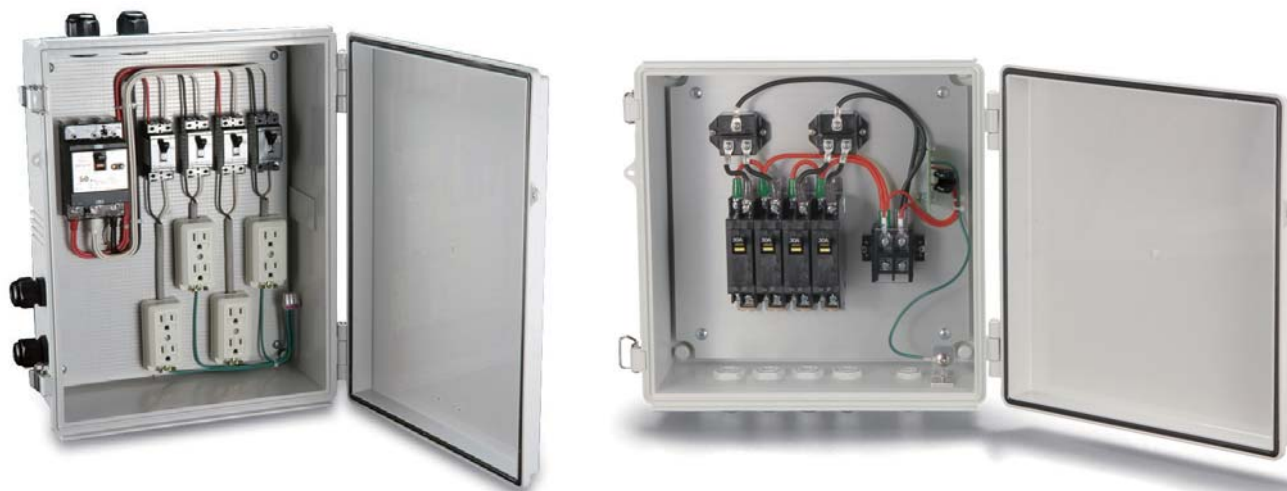
OUTDOOR WiFi SPOT Product by Spectra Quest Lab. (Japan)



SOLAR POWER JUNCTION BOX Product by Kansai Denki (Japan)

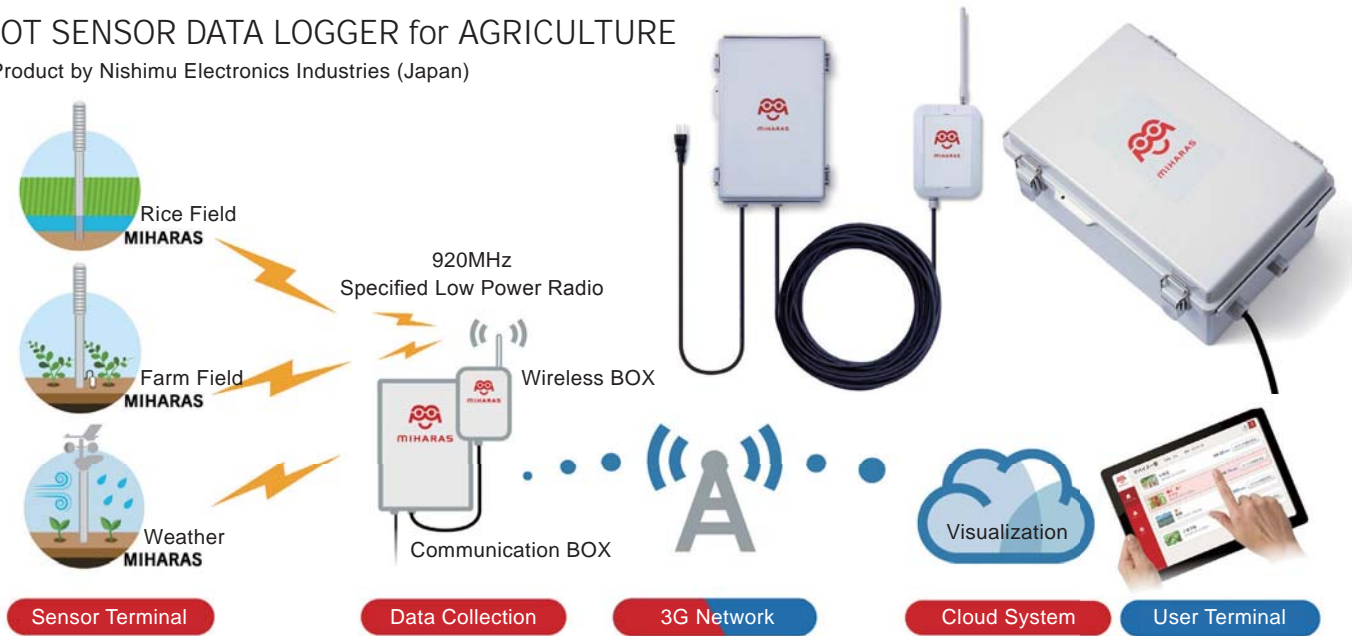


POWER SWITCHBOARD BOX



IOT SENSOR DATA LOGGER for AGRICULTURE

Product by Nishimu Electronics Industries (Japan)



Environmental Data Measurement and Controller Unit

Product by eSOL (Japan)



"SenSu" COMMUNICATION UNIT with SENSOR

Product by DATA TECHNOLOGY (Japan)



NETWORK SENSOR SYSTEM for AGRICULTURE

Product by CM Engineering (Japan)



WILDLIFE DAMAGE MONITORING SYSTEM

Product by CM Engineering (Japan)



VALVE CONTROLLER

Product by EXEN (Japan)



BUILDING SURVEILLANCE UNIT

Product by Showa Denki (Japan)



DIGITAL PRESSURE GAUGE

Product by KRONE CORPORATION (Japan)



RADIATION MONITOR



POWER SAVER for AIR CONDITIONING

Product by Synapes (Japan)

ANEMOMETER

Product by Fieldpro (Japan)



WATER GAUGE

Product by Fieldpro (Japan)



GROUND EXTENSOMETER

Product by GeotechService (Japan)

MONITORING CAMERA

Product by ACE PROMOTION (Japan)



BCAR SERIES

IP65 ABS PLASTIC BOX with OUTDOOR ROOF

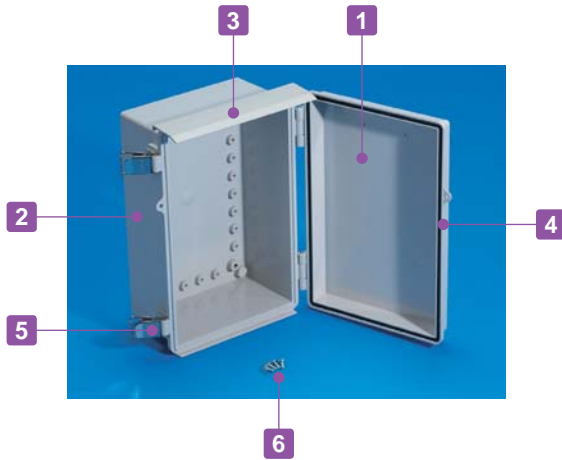
BCPR SERIES

IP65 POLYCARBONATE PLASTIC BOX with OUTDOOR ROOF



Technical Data

Protection class: IP65
 Operating temperature:
 BCAR -10°C ~ +60°C
 BCPR -20°C ~ +75°C



- Suitable for outdoor use by equipping easy snap-on roof attachment.
- 45 different sizes available.
- BCAR series is made of white gray ABS with 2 different cover type (white gray ABS and transparent polycarbonate).
- BCPR series is made of light gray UL94V-0 polycarbonate, which has good heat resistance properties.
- Transparent cover type is not available for BCAR507018, 507025, 608018, and 608028 models.

Components: BCAR series

■ Box UL class = UL94HB

| No. | Part name | Pcs | Material | Color / Finish |
|-----|-----------|-----|---------------------|--------------------------|
| 1 | Top cover | 1 | ABS • Polycarbonate | White gray • Transparent |
| 2 | Base | 1 | ABS | White gray |
| 3 | Roof | 1 | PVC | White gray |
| 4 | Gasket | 1 | Polyurethane | Black |
| 5 | Latch | 1~3 | Stainless steel | Unfinished |
| 6 | Screw | 2~8 | Steel | Trivalent chromate |

■ Stainless steel mounting brackets are included together with the following models: 506018, 506025, 507018, 507025, 608018, and 608028.

Components: BCPR series

■ Box UL class = UL94V-0

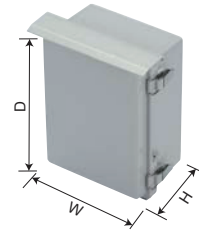
| No. | Part name | Pcs | Material | Color / Finish |
|-----|-----------|-----|----------------------------------|--------------------|
| 1 | Top cover | 1 | Polycarbonate | Light gray |
| 2 | Base | 1 | Glass fiber filled polycarbonate | Light gray |
| 3 | Roof | 1 | PVC | Light gray |
| 4 | Gasket | 1 | Polyurethane | Black |
| 5 | Latch | 1~3 | Stainless steel | Unfinished |
| 6 | Screw | 2~8 | Steel | Trivalent chromate |

■ Stainless steel mounting brackets are included together with the following models: 506018, 506025, 507018, 507025, 608018, and 608028.

Color Type

| Code | Cover color / Material | Base color / Material |
|---------|-----------------------------|---|
| BCAR[G] | White gray / ABS | White gray / ABS |
| BCAR[T] | Transparent / Polycarbonate | White gray / ABS |
| BCPR[S] | Light gray / Polycarbonate | Light gray / Glass fiber filled polycarbonate |

■ Please suffix color code at the end of the product number.



BCAR Product no. / Dimensions

| Product no. | W | D | H | Weight (g) | |
|-------------|-----|-----|-------|------------|-------|
| | | | | G | T |
| BCAR091207□ | 90 | 120 | 70 | 213 | 220 |
| BCAR091208□ | 90 | 120 | 85 | 228 | 237 |
| BCAR101507□ | 100 | 150 | 70 | 291 | 300 |
| BCAR101508□ | 100 | 150 | 85 | 309 | 318 |
| BCAR112107□ | 110 | 210 | 75 | 379 | 398 |
| BCAR112110□ | 110 | 210 | 100 | 442 | 440 |
| BCAR112607□ | 110 | 260 | 75 | 451 | 466 |
| BCAR112610□ | 110 | 260 | 100.5 | 504 | 519 |
| BCAR131508□ | 135 | 155 | 85 | 379 | 381 |
| BCAR131808□ | 135 | 185 | 85.5 | 404 | 434 |
| BCAR131810□ | 135 | 185 | 100.5 | 420 | 426 |
| BCAR162110□ | 160 | 210 | 100 | 495 | 513 |
| BCAR162113□ | 160 | 210 | 130 | 544 | 564 |
| BCAR162610□ | 160 | 260 | 100 | 605 | 629 |
| BCAR162613□ | 160 | 260 | 130 | 701 | 729 |
| BCAR172211□ | 170 | 220 | 110.5 | 560 | 586 |
| BCAR172711□ | 170 | 270 | 110.5 | 700 | 710 |
| BCAR192810□ | 190 | 280 | 100.5 | 755 | 778 |
| BCAR192814□ | 190 | 280 | 141 | 909 | 933 |
| BCAR203013□ | 200 | 300 | 131.5 | 957 | 989 |
| BCAR203015□ | 200 | 300 | 151.5 | 995 | 1,022 |
| BCAR203018□ | 200 | 300 | 180.5 | 1,104 | 1,122 |
| BCAR212110□ | 210 | 210 | 100 | 666 | 692 |
| BCAR212113□ | 210 | 210 | 130 | 740 | 762 |
| BCAR253515□ | 250 | 350 | 151 | 1,307 | 1,378 |
| BCAR253518□ | 250 | 350 | 181.5 | 1,443 | 1,510 |
| BCAR282813□ | 280 | 280 | 130.5 | 1,218 | 1,251 |
| BCAR283813□ | 280 | 380 | 130 | 1,506 | 1,563 |
| BCAR303015□ | 300 | 300 | 151 | 1,393 | 1,472 |
| BCAR303018□ | 300 | 300 | 181 | 1,549 | 1,630 |
| BCAR304012□ | 300 | 400 | 121 | 1,562 | 1,629 |
| BCAR304015□ | 300 | 400 | 150 | 1,617 | 1,729 |
| BCAR304018□ | 300 | 400 | 181 | 1,773 | 1,907 |
| BCAR353515□ | 350 | 350 | 150 | 1,757 | 1,827 |
| BCAR353518□ | 350 | 350 | 181 | 1,908 | 1,970 |
| BCAR354512□ | 350 | 450 | 120 | 2,140 | 2,239 |
| BCAR354516□ | 350 | 450 | 160 | 2,454 | 2,586 |
| BCAR354520□ | 350 | 450 | 201 | 2,718 | 2,866 |
| BCAR506018□ | 530 | 630 | 185 | 5,564 | 5,737 |
| BCAR506025□ | 530 | 630 | 255 | 6,203 | 6,399 |
| BCAR507018G | 530 | 730 | 188 | 6,366 | — |
| BCAR507025G | 530 | 730 | 255 | 7,037 | — |
| BCAR608018G | 630 | 830 | 188 | 8,279 | — |
| BCAR608028G | 630 | 830 | 288 | 9,719 | — |

■ BCAR507018, 507025, 608018, 608028 models are only available as G color type.

BCPR Product no. / Dimensions

| Product no. | W | D | H | Weight (g) |
|-------------|-----|-----|-------|------------|
| BCPR091207S | 90 | 120 | 70 | 242 |
| BCPR091208S | 90 | 120 | 85 | 264 |
| BCPR101507S | 100 | 150 | 70 | 330 |
| BCPR101508S | 100 | 150 | 85 | 354 |
| BCPR112107S | 110 | 210 | 75 | 439 |
| BCPR112110S | 110 | 210 | 100 | 493 |
| BCPR112607S | 110 | 260 | 75 | 513 |
| BCPR112610S | 110 | 260 | 100.5 | 589 |
| BCPR131508S | 135 | 155 | 85 | 429 |
| BCPR131808S | 135 | 185 | 85.5 | 475 |
| BCPR131810S | 135 | 185 | 100.5 | 471 |
| BCPR162110S | 160 | 210 | 100 | 583 |
| BCPR162113S | 160 | 210 | 130 | 638 |
| BCPR162610S | 160 | 260 | 100 | 699 |
| BCPR162613S | 160 | 260 | 130 | 806 |
| BCPR172211S | 170 | 220 | 110.5 | 677 |
| BCPR172711S | 170 | 270 | 110.5 | 803 |
| BCPR192810S | 190 | 280 | 100.5 | 889 |
| BCPR192814S | 190 | 280 | 141 | 1,060 |
| BCPR203013S | 200 | 300 | 131.5 | 1,091 |
| BCPR203015S | 200 | 300 | 151.5 | 1,165 |
| BCPR203018S | 200 | 300 | 180.5 | 1,296 |
| BCPR212110S | 210 | 210 | 100 | 777 |
| BCPR212113S | 210 | 210 | 130 | 862 |
| BCPR253515S | 250 | 350 | 151 | 1,537 |
| BCPR253518S | 250 | 350 | 181.5 | 1,722 |
| BCPR282813S | 280 | 280 | 130.5 | 1,422 |
| BCPR283813S | 280 | 380 | 130 | 1,747 |
| BCPR303015S | 300 | 300 | 151 | 1,665 |
| BCPR303018S | 300 | 300 | 181 | 1,814 |
| BCPR304012S | 300 | 400 | 121 | 1,901 |
| BCPR304015S | 300 | 400 | 150 | 1,917 |
| BCPR304018S | 300 | 400 | 181 | 2,084 |
| BCPR353515S | 350 | 350 | 150 | 2,109 |
| BCPR353518S | 350 | 350 | 181 | 2,206 |
| BCPR354512S | 350 | 450 | 120 | 2,471 |
| BCPR354516S | 350 | 450 | 160 | 2,899 |
| BCPR354520S | 350 | 450 | 201 | 3,224 |
| BCPR506018S | 530 | 630 | 185 | 6,431 |
| BCPR506025S | 530 | 630 | 255 | 7,339 |
| BCPR507018S | 530 | 730 | 188 | 7,630 |
| BCPR507025S | 530 | 730 | 255 | 8,420 |
| BCPR608018S | 630 | 830 | 188 | 10,040 |
| BCPR608028S | 630 | 830 | 288 | 11,770 |

■ Refer to page 247 ~ 250 for detailed dimensions.

Accessories (Optional parts)



Mounting plate BMP series
See page 253 ~ 255



Mounting bracket CK • BFL series
See page 256



Pole mounting bracket SSK series
See page 257 ~ 258



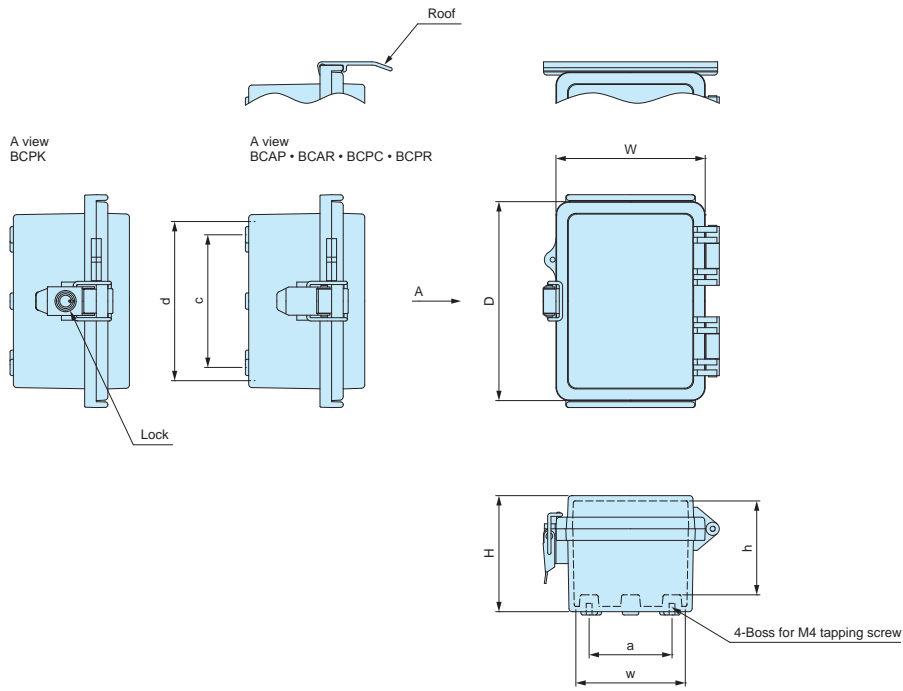
Cable gland
See cable gland pages

Ventilation part
See page 259 ~ 262

BCAP • BCAR • BCPC • BCPK • BCPR dimensions

■ Drawings below are reference examples only.
DXF/DWG/PDF drawings available on our website.

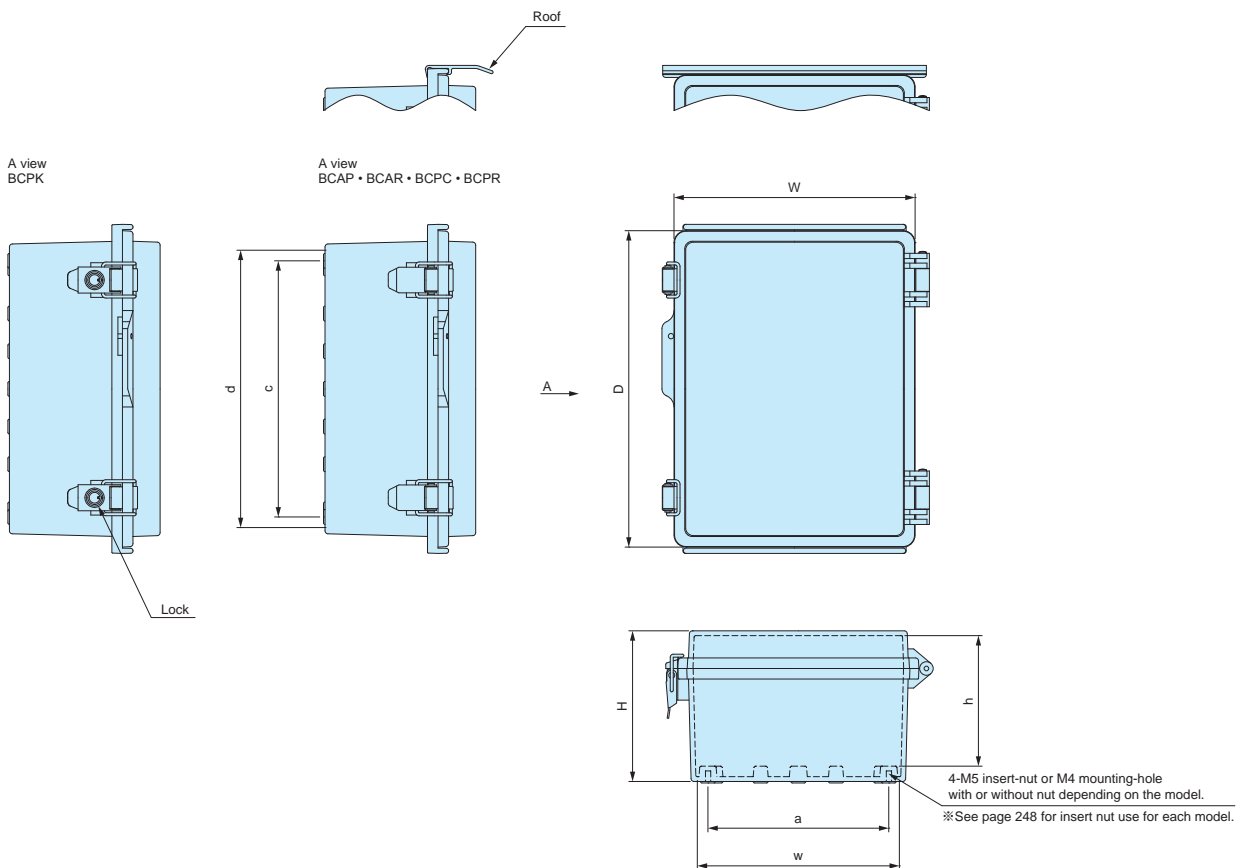
091207, 091208



| Product no. | W | D | H | Available range | | | Bottom hole pitch | |
|------------------------------|----|-----|----|-----------------|----|------|-------------------|----|
| | | | | w | d | h | a | c |
| BCAP • R, BCPC • K • R091207 | 90 | 120 | 70 | 66 | 96 | 56.5 | 50 | 80 |
| BCAP • R, BCPC • K • R091208 | 90 | 120 | 85 | 66 | 96 | 71.5 | 50 | 80 |

101507 ~ 405020

Not available for BCAR • BCPR 151509, 151512, 405016, and 405020 models.





■ Inner bosses vary according to box size.
Refer to DXF/DWG/PDF drawings for more details.

APPLICATION EXAMPLE



SURVEILLANCE VIDEO DATA CLOUD ROUTER

Product by LIVELOCK TECHNOLOGIES (Japan)

| Product no. | W | D | H | Available range | | | Bottom hole pitch | | Insert nut |
|------------------------|-----|-----|-------|-----------------|-------|-------|-------------------|-------|------------|
| | | | | w | d | h | a | c | |
| BCAP・R, BCPC・K・R101507 | 100 | 150 | 70 | 76 | 126 | 56.5 | 60 | 110 | without |
| BCAP・R, BCPC・K・R101508 | 100 | 150 | 85 | 75.5 | 125.5 | 71.5 | 60 | 110 | without |
| BCAP・R, BCPC・K・R112107 | 110 | 210 | 75 | 85.8 | 185.8 | 61.5 | 70 | 170 | without |
| BCAP・R, BCPC・K・R112110 | 110 | 210 | 100 | 84.9 | 184.9 | 86.5 | 70 | 170 | without |
| BCAP・R, BCPC・K・R112607 | 110 | 260 | 75 | 85.8 | 235.8 | 61.5 | 70 | 220 | without |
| BCAP・R, BCPC・K・R112610 | 110 | 260 | 100.5 | 85.1 | 234.9 | 87.2 | 70 | 220 | without |
| BCAP・R, BCPC・K・R131508 | 135 | 155 | 85 | 110.5 | 130.5 | 71.5 | 95 | 115 | without |
| BCAP・R, BCPC・K・R131808 | 135 | 185 | 85.5 | 110.4 | 160.4 | 72.2 | 95 | 145 | without |
| BCAP・R, BCPC・K・R131810 | 135 | 185 | 100.5 | 110.4 | 160.4 | 87.1 | 95 | 145 | without |
| BCAP, BCPC・K 151509 | 150 | 150 | 90 | 125.7 | 125.7 | 75.5 | 120 | 120 | without |
| BCAP, BCPC・K 151512 | 150 | 150 | 120.5 | 124 | 124 | 106 | 117 | 117 | without |
| BCAP・R, BCPC・K・R162110 | 160 | 210 | 100 | 134 | 184 | 86.6 | 120 | 170 | without |
| BCAP・R, BCPC・K・R162113 | 160 | 210 | 130 | 134 | 184 | 116.5 | 120 | 170 | without |
| BCAP・R, BCPC・K・R162610 | 160 | 260 | 100 | 135.1 | 235.1 | 86.6 | 120 | 220 | without |
| BCAP・R, BCPC・K・R162613 | 160 | 260 | 130 | 134 | 234 | 116.6 | 120 | 220 | without |
| BCAP・R, BCPC・K・R172211 | 170 | 220 | 110.5 | 144.9 | 194.9 | 96.1 | 132 | 182 | without |
| BCAP・R, BCPC・K・R172711 | 170 | 270 | 110.5 | 144.9 | 244.9 | 96.1 | 132 | 232 | without |
| BCAP・R, BCPC・K・R192810 | 190 | 280 | 100.5 | 165.3 | 255.3 | 84.1 | 148 | 238 | with |
| BCAP・R, BCPC・K・R192814 | 190 | 280 | 141 | 164.2 | 254.2 | 124.6 | 148 | 238 | with |
| BCAP・R, BCPC・K・R203013 | 200 | 300 | 131.5 | 173.5 | 273.5 | 115.1 | 152 | 252 | with |
| BCAP・R, BCPC・K・R203015 | 200 | 300 | 151.5 | 173.5 | 273.5 | 135.1 | 152 | 252 | with |
| BCAP・R, BCPC・K・R203018 | 200 | 300 | 180.5 | 172.4 | 272.3 | 164.1 | 152 | 252 | with |
| BCAP・R, BCPC・K・R212110 | 210 | 210 | 100 | 185.1 | 185.1 | 86.6 | 170 | 170 | without |
| BCAP・R, BCPC・K・R212113 | 210 | 210 | 130 | 184 | 184 | 116.6 | 170 | 170 | without |
| BCAP・R, BCPC・K・R253515 | 250 | 350 | 151 | 222.5 | 322.5 | 135.3 | 206 | 306 | with |
| BCAP・R, BCPC・K・R253518 | 250 | 350 | 181.5 | 222.5 | 322.5 | 165.8 | 206 | 306 | with |
| BCAP・R, BCPC・K・R282813 | 280 | 280 | 130.5 | 254 | 254 | 113.6 | 238 | 238 | with |
| BCAP・R, BCPC・K・R283813 | 280 | 380 | 130 | 254 | 354 | 113.6 | 238 | 338 | with |
| BCAP・R, BCPC・K・R303015 | 300 | 300 | 151 | 273 | 273 | 134.3 | 256 | 256 | with |
| BCAP・R, BCPC・K・R303018 | 300 | 300 | 181 | 272.5 | 272.5 | 164.3 | 256 | 256 | with |
| BCAP・R, BCPC・K・R304012 | 300 | 400 | 121 | 274.1 | 374.6 | 104.6 | 252 | 352 | with |
| BCAP・R, BCPC・K・R304015 | 300 | 400 | 150 | 273.5 | 373.5 | 133.6 | 252 | 352 | with |
| BCAP・R, BCPC・K・R304018 | 300 | 400 | 181 | 272.5 | 372.5 | 164.6 | 252 | 352 | with |
| BCAP・R, BCPC・K・R353515 | 350 | 350 | 150 | 323.6 | 323.6 | 133.6 | 302 | 302 | with |
| BCAP・R, BCPC・K・R353518 | 350 | 350 | 181 | 322.5 | 322.5 | 164.6 | 302 | 302 | with |
| BCAP・R, BCPC・K・R354512 | 350 | 450 | 120 | 316.7 | 416.7 | 103.5 | 302 | 402 | with |
| BCAP・R, BCPC・K・R354516 | 350 | 450 | 160 | 308.7 | 414.7 | 142.6 | 302 | 402 | with |
| BCAP・R, BCPC・K・R354520 | 350 | 450 | 201 | 306.9 | 412.8 | 183.6 | 302 | 402 | with |
| BCAP, BCPC・K 405016 | 400 | 500 | 160 | 360.4 | 466.6 | 144 | 352 | 452 | with |
| BCAP, BCPC・K 405020 | 400 | 500 | 201 | 359.4 | 465.5 | 184 | 352.5 | 452.5 | with |

BCAP • BCAR • BCPC • BCPK • BCPR dimensions

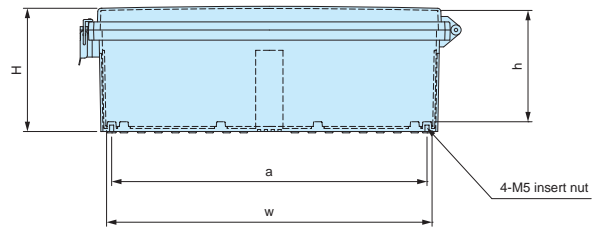
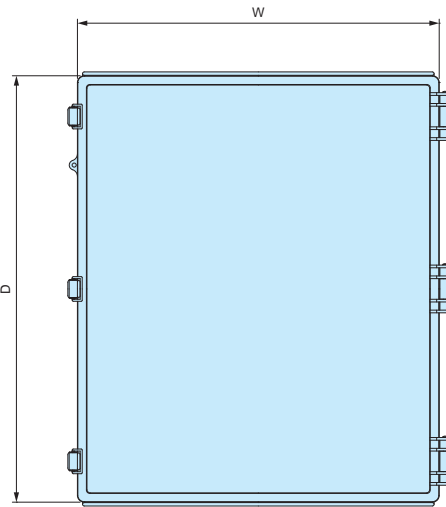
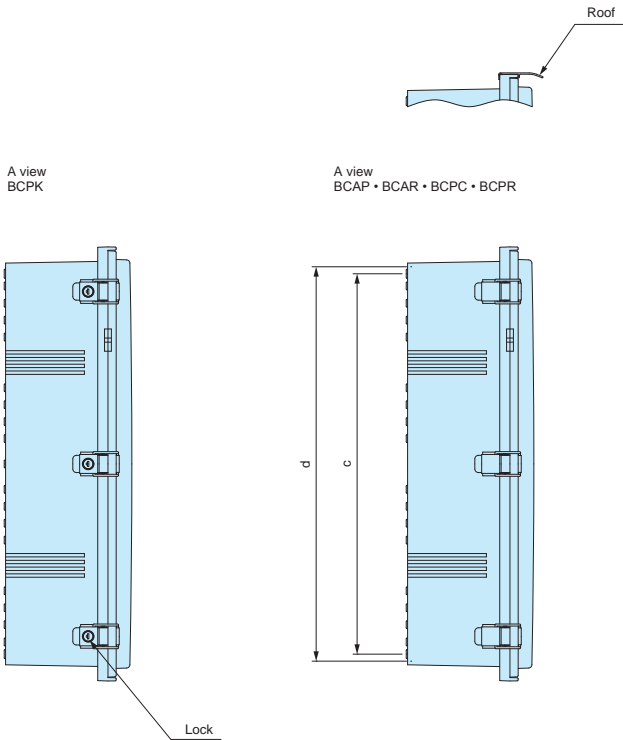
406018 ~ 507025

Not available for BCAR • BCPR 406018 and 406023 models.

■ Drawings below are reference examples only.
DXF/DWG/PDF drawings available on our website.



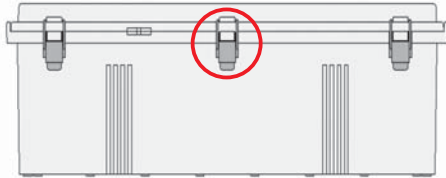
■ Inner bosses vary according to box size.
Refer to DXF/DWG/PDF drawings for more details.



Attention when locking the latch

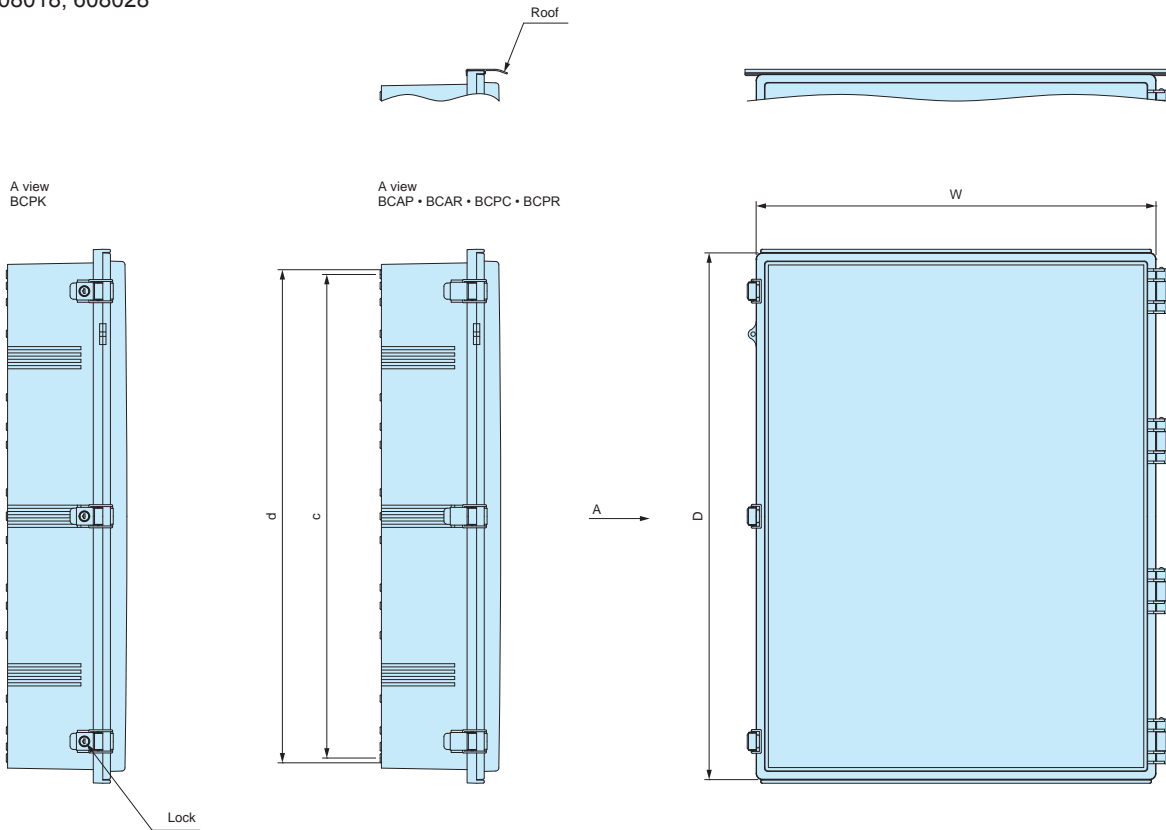
1. Close latches on both ends first.
 2. Close center latch next.
- ※ Closing the center latch first may create a non-watertight seal.

Center latch must be closed last!



| Product no. | W | D | H | Available range | | | Bottom hole pitch | |
|------------------------------|-----|-----|-----|-----------------|-------|-------|-------------------|-------|
| | | | | w | d | h | a | c |
| BCAP, BCPC • K 406018 | 400 | 600 | 181 | 358.6 | 565.9 | 163.8 | 352.5 | 552.5 |
| BCAP, BCPC • K 406023 | 400 | 600 | 231 | 356.9 | 564.1 | 213.8 | 352 | 552.5 |
| BCAP • R, BCPC • K • R506018 | 530 | 630 | 185 | 476.8 | 576.8 | 163.6 | 462 | 562 |
| BCAP • R, BCPC • K • R506025 | 530 | 630 | 255 | 474.6 | 574.6 | 233.6 | 462 | 562 |
| BCAP • R, BCPC • K • R507018 | 530 | 730 | 188 | 477 | 677 | 166.1 | 462 | 662 |
| BCAP • R, BCPC • K • R507025 | 530 | 730 | 255 | 475 | 676.2 | 236 | 462 | 662 |

608018, 608028

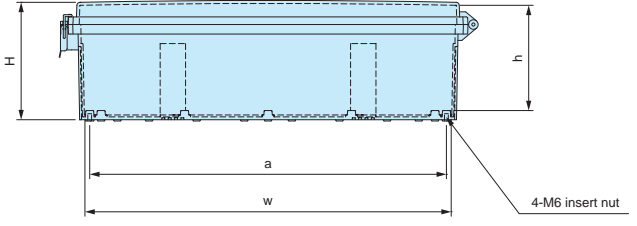


Attention when locking the latch

1. Close latches on both ends first.
2. Close center latch next.

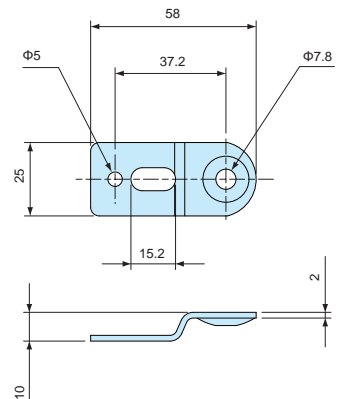
※ Closing the center latch first may create a non-watertight seal.

Center latch must be closed last!



| Product no. | W | D | H | Available range | | | Bottom hole pitch | |
|------------------------------|-----|-----|-----|-----------------|-------|-------|-------------------|-----|
| | | | | w | d | h | a | c |
| BCAP • R, BCPC • K • R608018 | 630 | 830 | 188 | 575 | 777 | 165.6 | 562 | 762 |
| BCAP • R, BCPC • K • R608028 | 630 | 830 | 288 | 573.5 | 773.5 | 265.8 | 562 | 762 |

Included stainless steel mounting brackets for 506018, 506025, 507018, 507025, 608018 and 608028



| Part name | Pcs | Material | Color / Finish |
|------------------|-----|-----------|--------------------|
| Mounting bracket | 6 | Stainless | Unfinished |
| Screw | 6 | Steel | Trivalent chromate |

BRF SERIES

OUTDOOR ROOF



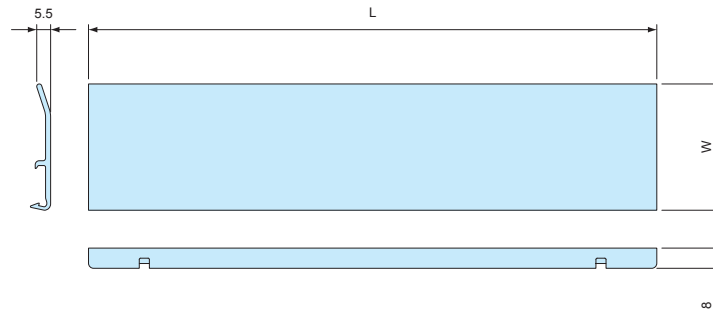
- Recommended to be used for outdoor environments for protection against rain etc.
- Snap-in easy installation.
- Available for BCAP and BCPC • BCPK series except 151509, 151512, 405016, 405020, 406018, and 406023 models.

Color Type

| Color code | Material | Color / Finish | Suitable series |
|------------|----------|------------------------|-----------------|
| G | PVC | White gray / Unpainted | BCAP |
| S | PVC | Light gray / Painted | BCPC • BCPK |

BRF dimensions

Roof for 091207 ~ 353518

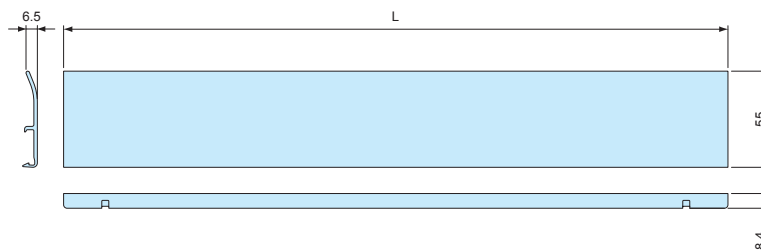


Product no. / Dimensions

■ Please suffix color code at the end of the product number.

| Product no. | Suitable box | L | W |
|-------------|---|-----|----|
| BRF- 90□ | BCAP • BCPC • BCPK 091207 091208 | 105 | 45 |
| BRF-100□ | BCAP • BCPC • BCPK 101507 101508 | 115 | 45 |
| BRF-110□ | BCAP • BCPC • BCPK 112107 112110 112607 112610 | 125 | 45 |
| BRF-135□ | BCAP • BCPC • BCPK 131508 131808 131810 | 150 | 45 |
| BRF-160□ | BCAP • BCPC • BCPK 162110 162113 162610 162613 | 175 | 45 |
| BRF-170□ | BCAP • BCPC • BCPK 172211 172711 | 185 | 45 |
| BRF-190□ | BCAP • BCPC • BCPK 192810 192814 | 205 | 45 |
| BRF-210□ | BCAP • BCPC • BCPK 212110 212113 | 225 | 45 |
| BRF-200□ | BCAP • BCPC • BCPK 203013 203015 203018 | 225 | 50 |
| BRF-250□ | BCAP • BCPC • BCPK 253515 253518 | 275 | 50 |
| BRF-280□ | BCAP • BCPC • BCPK 282813 283813 | 305 | 50 |
| BRF-300□ | BCAP • BCPC • BCPK 303015 303018 304012 304015 304018 | 325 | 50 |
| BRF-350□ | BCAP • BCPC • BCPK 353515 353518 | 375 | 50 |

Roof for 354512 ~ 354520



Product no. / Dimensions

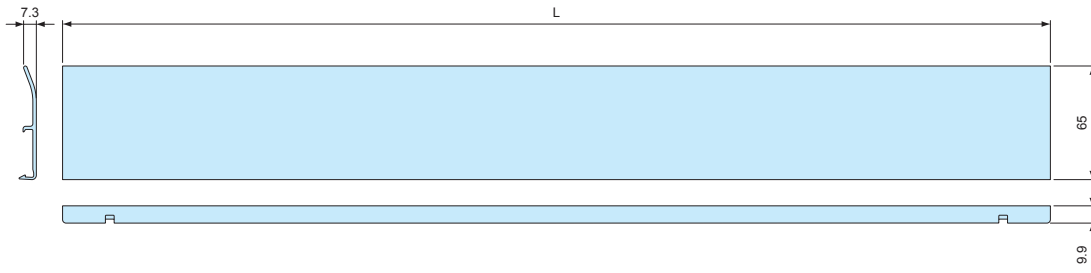
■ Please suffix color code at the end of the product number.

| Product no. | Suitable box | L |
|-------------|---|-----|
| BRF-350L□ | BCAP • BCPC • BCPK 354512 354516 354520 | 380 |

■ S color type is light gray painted.

Roof for 506018 ~ 608028

Accessories (Optional parts)



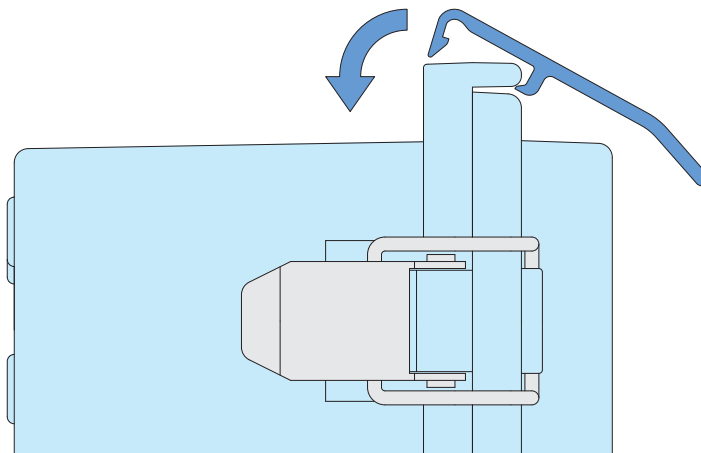
Product no. / Dimensions

■ Please suffix color code at the end of the product number.

| Product no. | Suitable box | L |
|-------------|--|-----|
| BRF-530□ | BCAP • BCPC • BCPK 506018 506025 507018 507025 | 565 |
| BRF-630□ | BCAP • BCPC • BCPK 608018 608028 | 665 |

■ S color type is light gray painted.

- How to install BRF outdoor roof.
Refer to illustration.



BCC-1 DUST PROTECTION CAP



- Prevent dust and other foreign material entry.
- Protection against corrosion on key hole part in environments such as coastal areas.
- When ordering, please ensure that the quantity required corresponds to the number of latches on your selected enclosure.

Product no. / Dimensions

| Product no. | Material | Color | Sales unit |
|-------------|----------|-------|------------|
| BCC-1 | Silicone | Black | 1 pc |

Suitable Box

| Suitable box | Required |
|--------------------------------------|----------|
| BCPK192810 ~ 203018, 253515 ~ 405020 | 2 pcs |
| BCPK406018 ~ 608028 | 3 pcs |

■ Not suitable for BCPK 212110, 212113, 172711, and smaller models.

BMP-Z SERIES

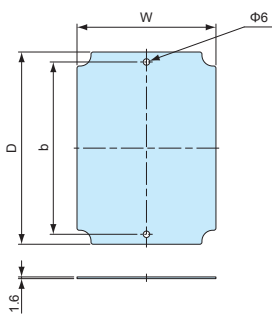
STEEL MOUNTING PLATE

- Tough but easily customizable.
- Large sized (BMP5060Z, 5070Z and 6080Z) plates have a 90° bent edge.

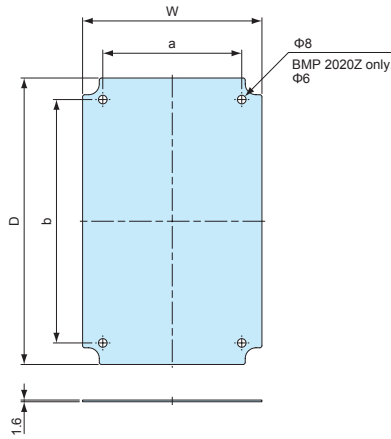
- Customization services (machining, punch press or clinching nut insertion) are available. See website for more details.



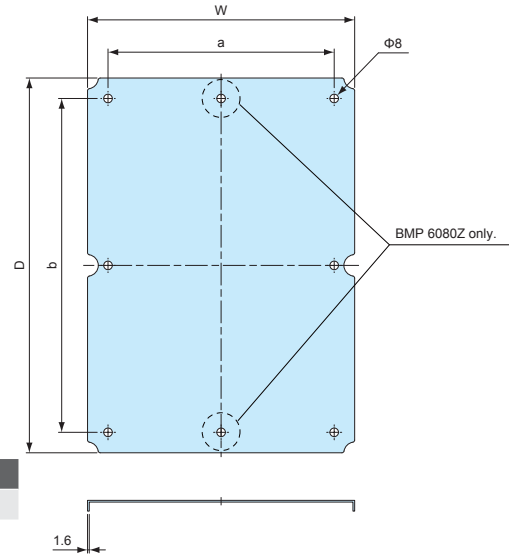
BMP0912Z ~ 1727Z



BMP1928Z ~ 4060Z



BMP5060Z ~ 6080Z



- DXF/DWG/PDF drawings available on our website.

Components

| Part name | Material | Finish |
|----------------|-------------|-------------|
| Mounting plate | Steel t=1.6 | Zinc coated |

Product no. / Dimensions

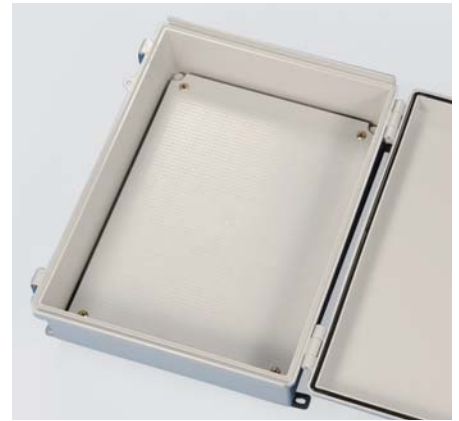
| Product no. | W | D | a | b | Suitable box | Weight (g) |
|-------------|-----|-----|-----|-----|---|------------|
| BMP0912Z | 58 | 88 | - | 69 | BCAP • R, BCPC • K • R 091207, 091208 | 53 |
| BMP0813Z | 68 | 118 | - | 99 | BCAP • R, BCPC • K • R 101507, 101508 | 87 |
| BMP1121Z | 77 | 177 | - | 158 | BCAP • R, BCPC • K • R 112107, 112110 | 159 |
| BMP1126Z | 77 | 227 | - | 208 | BCAP • R, BCPC • K • R 112607, 112610 | 210 |
| BMP1315Z | 102 | 122 | - | 110 | BCAP • R, BCPC • K • R 131508 | 141 |
| BMP1217Z | 102 | 152 | - | 140 | BCAP • R, BCPC • K • R 131808, 131810 | 180 |
| BMP1515Z | 121 | 121 | - | 110 | BCAP BCPC • K 151509, 151512 | 172 |
| BMP1520Z | 126 | 176 | - | 160 | BCAP • R, BCPC • K • R 162110, 162113 | 262 |
| BMP1525Z | 127 | 227 | - | 210 | BCAP • R, BCPC • K • R 162610, 162613 | 346 |
| BMP1722Z | 137 | 187 | - | 160 | BCAP • R, BCPC • K • R 172211 | 308 |
| BMP1727Z | 137 | 237 | - | 210 | BCAP • R, BCPC • K • R 172711 | 391 |
| BMP1928Z | 157 | 247 | 120 | 210 | BCAP • R, BCPC • K • R 192810, 192814 | 462.5 |
| BMP2020Z | 176 | 176 | 120 | 150 | BCAP • R, BCPC • K • R 212110, 212113 | 371 |
| BMP2030Z | 165 | 265 | 129 | 226 | BCAP • R, BCPC • K • R 203013, 203015, 203018 | 519 |
| BMP2535Z | 215 | 315 | 180 | 270 | BCAP • R, BCPC • K • R 253515, 253518 | 816 |
| BMP2828Z | 246 | 246 | 210 | 210 | BCAP • R, BCPC • K • R 282813 | 727.5 |
| BMP2838Z | 246 | 346 | 210 | 310 | BCAP • R, BCPC • K • R 283813 | 1,018 |
| BMP3030Z | 264 | 264 | 219 | 219 | BCAP • R, BCPC • K • R 303015, 303018 | 826.5 |
| BMP3040Z | 265 | 365 | 228 | 325 | BCAP • R, BCPC • K • R 304012, 304015, 304018 | 1,154 |
| BMP3535Z | 315 | 315 | 270 | 270 | BCAP • R, BCPC • K • R 353515, 353518 | 1,196.5 |
| BMP3545Z | 301 | 401 | 274 | 365 | BCAP • R, BCPC • K • R 354512, 354516, 354520 | 1,443 |
| BMP4050Z | 354 | 454 | 328 | 428 | BCAP BCPC • K 405016, 405020 | 1,998 |
| BMP4060Z | 354 | 551 | 328 | 525 | BCAP BCPC • K 406018, 406023 | 2,328 |
| BMP5060Z | 474 | 574 | 426 | 526 | BCAP • R, BCPC • K • R 506018, 506025 | 3,286 |
| BMP5070Z | 472 | 672 | 426 | 626 | BCAP • R, BCPC • K • R 507018, 507025 | 3,864 |
| BMP6080Z | 565 | 765 | 526 | 726 | BCAP • R, BCPC • K • R 608018, 608028 | 5,288.5 |

■ K = BCPK series / R = BCAR • BCPR series

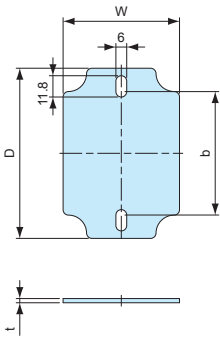
BMP-P SERIES

PLASTIC MOUNTING PLATE

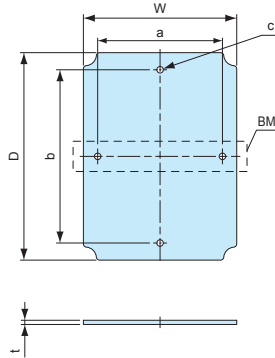
- Lightweight ABS plastic mounting plate.
- Flat plate: BMP0811P ~ BMP1515P
Ribbed plate: BMP1520P ~ BMP4050P
- DXF/DWG/PDF drawings available on our website.



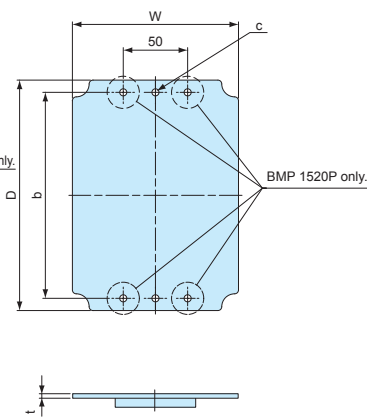
BMP0811P (Flat)



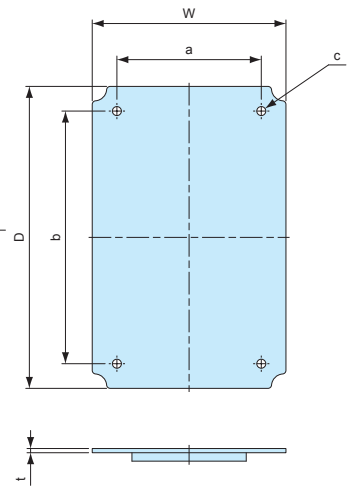
BMP0813P, 1515P (Flat)



BMP1520P, 1525P (Ribbed)



BMP1928P ~ 4050P (Ribbed)



Components

| Part name | Material | Color |
|----------------|----------|------------|
| Mounting plate | ABS | White gray |

Product no. / Dimensions

| Product no. | W | D | a | b | t | c (Φ) | Suitable box | Weight (g) |
|-------------|-------|-------|-------|-------|-----|-------|---|------------|
| BMP0811P | 64.5 | 94.3 | - | 68.4 | 3.5 | - | BCAP • R, BCPC • K • R 091207, 091208 | 21 |
| BMP0813P | 64.5 | 114.5 | - | 99 | 3 | Φ6 | BCAP • R, BCPC • K • R 101507, 101508 | 24 |
| BMP1121P | 76.5 | 176 | - | 158 | 3 | Φ6 | BCAP • R, BCPC • K • R 112107, 112110 | 40 |
| BMP1126P | 76.5 | 226 | - | 208 | 3 | Φ6 | BCAP • R, BCPC • K • R 112607, 112610 | 53 |
| BMP1315P | 101.5 | 121.5 | - | 110 | 3.5 | Φ5.5 | BCAP • R, BCPC • K • R 131508 | 36 |
| BMP1217P | 109.5 | 160 | - | 140 | 4 | Φ6 | BCAP • R, BCPC • K • R 131808, 131810 | 62 |
| BMP1515P | 123 | 123 | 110 | 110 | 3.5 | Φ6 | BCAP BCPC • K 151509, 151512 | 52 |
| BMP1520P | 129 | 179 | - | 160 | 3.5 | Φ5.5 | BCAP • R, BCPC • K • R 162110, 162113, 172211 | 92 |
| BMP1525P | 129 | 228.5 | - | 210 | 3.5 | Φ6 | BCAP • R, BCPC • K • R 162610, 162613, 172711 | 112 |
| BMP1928P | 158.5 | 248 | 120 | 210 | 3.5 | Φ8 | BCAP • R, BCPC • K • R 192810, 192814 | 162 |
| BMP2020P | 178.5 | 178.5 | 120 | 150 | 3.5 | Φ5.5 | BCAP • R, BCPC • K • R 212110, 212113 | 125 |
| BMP2030P | 166.5 | 266 | 128 | 225.5 | 4 | Φ8 | BCAP • R, BCPC • K • R 203013, 203015, 203018 | 188 |
| BMP2535P | 215.5 | 315 | 180 | 268.5 | 4 | Φ8 | BCAP • R, BCPC • K • R 253515, 253518 | 292 |
| BMP2828P | 248.5 | 248.5 | 210 | 210 | 4 | Φ8 | BCAP • R, BCPC • K • R 282813 | 237 |
| BMP2838P | 248 | 347.5 | 209 | 309.5 | 4 | Φ8 | BCAP • R, BCPC • K • R 283813 | 368 |
| BMP3030P | 262.5 | 262.5 | 219 | 219 | 4 | Φ7.5 | BCAP • R, BCPC • K • R 303015, 303018 | 281 |
| BMP3040P | 264.5 | 364 | 227 | 323 | 4 | Φ8 | BCAP • R, BCPC • K • R 304012, 304015, 304018 | 437 |
| BMP3535P | 313.5 | 313.5 | 269.5 | 269.5 | 4 | Φ8 | BCAP • R, BCPC • K • R 353515, 353518 | 424.5 |
| BMP3545P | 305 | 405.5 | 273 | 364 | 4 | Φ8 | BCAP • R, BCPC • K • R 354512, 354516, 354520 | 539 |
| BMP4050P | 357 | 457 | 328 | 428 | 4 | Φ8.5 | BCAP BCPC • K 405016, 405020 | 725.5 |

■ K = BCPK series / R = BCAR • BCPR series



TAKACHI ELECTRONICS ENCLOSURE CO., LTD.

3-21-16 Higashi-ryoke, Kawaguchi-shi, Saitama, 332-0003 JAPAN

Tel. +81-48-222-5409 / Fax. +81-48-222-7652

November 11, 2019

Notice

BMP-P series Plastic Mounting Plate Changes to Underside (bottom) Shape

■ Affected models

| Product Number | Status |
|----------------|---------------------------------|
| BMP0811P | Pending (est. 2nd Quarter 2020) |
| BMP0818P | Pending (est. 2nd Quarter 2020) |
| BMP1126P | Pending (est. 3rd Quarter 2020) |
| BMP1212P | Pending (est. 2nd Quarter 2020) |
| BMP1217P | Changed |

■ Changes : Underside shape/construction

Current shape



New shape



■ Purpose : For the reinforcement and strengthening of small-sized plastic mounting plate(s).

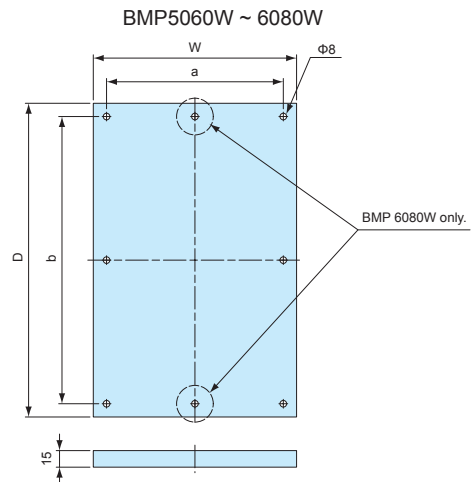
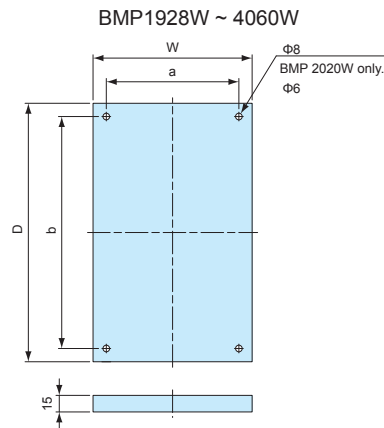
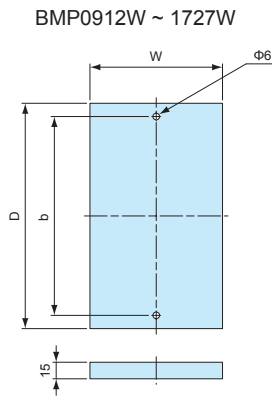
■ Effective date : Once present stock has run out.

■ Note : There will be no changes to product number, color, or pricing.

BMP-W SERIES

WOODEN MOUNTING PLATE

- Easy installation with tapping screws.
- Easily customizable hard wooden plate.
- Plate comes with scales printed on for easy references.
- DXF/DWG/PDF drawings available on our website.



Components

| Part name | Pcs | Material | Color / Finish |
|----------------|-------|-----------------|--------------------|
| Mounting plate | 1 | Wood board t=15 | Scaled sheet |
| Screw | 2 ~ 8 | Steel | Trivalent chromate |

Product no. / Dimensions

| Product no. | W | D | a | b | Suitable box | Screw | Weight (g) |
|-------------|-----|-----|-----|-----|---|------------------|------------|
| BMP0912W | 58 | 92 | - | 69 | BCAP • R, BCPC • K • R 091207, 091208 | M4-20 × 2 pcs | 62 |
| BMP0813W | 68 | 122 | - | 99 | BCAP • R, BCPC • K • R 101507, 101508 | M4-20 × 2 pcs | 94 |
| BMP1121W | 77 | 181 | - | 158 | BCAP • R, BCPC • K • R 112107, 112110 | M4-20 × 2 pcs | 166 |
| BMP1126W | 77 | 231 | - | 208 | BCAP • R, BCPC • K • R 112607, 112610 | M4-20 × 2 pcs | 191 |
| BMP1315W | 102 | 126 | - | 110 | BCAP • R, BCPC • K • R 131508 | M4-20 × 2 pcs | 127 |
| BMP1217W | 102 | 156 | - | 140 | BCAP • R, BCPC • K • R 131808, 131810 | M4-20 × 2 pcs | 190 |
| BMP1515W | 118 | 125 | - | 110 | BCAP BCPC • K 151509, 151512 | M4-20 × 2 pcs | 172 |
| BMP1520W | 126 | 180 | - | 160 | BCAP • R, BCPC • K • R 162110, 162113 | M4-20 × 2 pcs | 243 |
| BMP1525W | 127 | 231 | - | 210 | BCAP • R, BCPC • K • R 162610, 162613 | M4-20 × 2 pcs | 352 |
| BMP1722W | 137 | 191 | - | 160 | BCAP • R, BCPC • K • R 172211 | M4-20 × 2 pcs | 286 |
| BMP1727W | 137 | 241 | - | 210 | BCAP • R, BCPC • K • R 172711 | M4-20 × 2 pcs | 212 |
| BMP1928W | 150 | 240 | 120 | 210 | BCAP • R, BCPC • K • R 192810, 192814 | M5-20 × 4 pcs | 350 |
| BMP2020W | 170 | 174 | 120 | 150 | BCAP • R, BCPC • K • R 212110, 212113 | M4-20 × 4 pcs | 336 |
| BMP2030W | 159 | 256 | 129 | 226 | BCAP • R, BCPC • K • R 203013, 203015, 203018 | M5-20 × 4 pcs | 482 |
| BMP2535W | 210 | 300 | 180 | 270 | BCAP • R, BCPC • K • R 253515, 253518 | M5-20 × 4 pcs | 688 |
| BMP2828W | 240 | 240 | 210 | 210 | BCAP • R, BCPC • K • R 282813 | M5-20 × 4 pcs | 565 |
| BMP2838W | 240 | 340 | 210 | 310 | BCAP • R, BCPC • K • R 283813 | M5-20 × 4 pcs | 893 |
| BMP3030W | 249 | 249 | 219 | 219 | BCAP • R, BCPC • K • R 303015, 303018 | M5-20 × 4 pcs | 659 |
| BMP3040W | 258 | 355 | 228 | 324 | BCAP • R, BCPC • K • R 304012, 304015, 304018 | M5-20 × 4 pcs | 965 |
| BMP3535W | 300 | 300 | 270 | 270 | BCAP • R, BCPC • K • R 353515, 353518 | M5-20 × 4 pcs | 964 |
| BMP3545W | 301 | 395 | 274 | 365 | BCAP • R, BCPC • K • R 354512, 354516, 354520 | M5-20 × 4 pcs | 1,314 |
| BMP4050W | 355 | 455 | 328 | 428 | BCAP BCPC • K 405016, 405020 | M5-20 × 4 pcs | 1,754 |
| BMP4060W | 355 | 552 | 328 | 525 | BCAP BCPC • K 406018, 406023 | M5-20 × 4 pcs | 2,015.5 |
| BMP5060W | 456 | 556 | 426 | 526 | BCAP • R, BCPC • K • R 506018, 506025 | M5-20 × 6 pcs | 2,650 |
| BMP5070W | 456 | 656 | 426 | 626 | BCAP • R, BCPC • K • R 507018, 507025 | M5-20 × 6 pcs | 3,152.5 |
| BMP6080W | 556 | 756 | 526 | 726 | BCAP • R, BCPC • K • R 608018, 608028 | M5/M6-20 × 8 pcs | 4,434 |

■ K = BCPC series / R = BCAR • BCPR series

Accessories (Optional parts)

BFL SERIES

PLASTIC MOUNTING BRACKET



Color G Color S

- 2 different colored type to match box colors.
- Tough and strong glass fiber filled polycarbonate.

Color Type

| Color | Color Name | Compatible Models |
|-------|------------|--------------------|
| G | White gray | BCAP • BCAR |
| S | Light gray | BCPC • BCPK • BCPR |

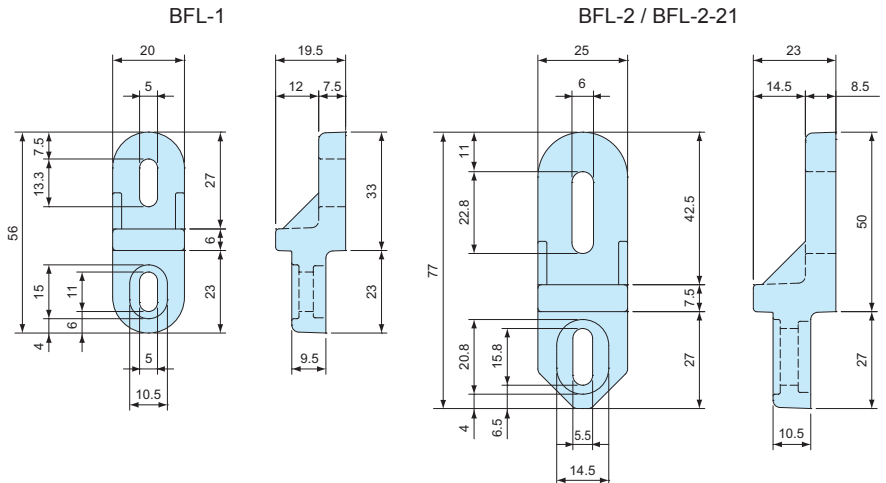
Components

| Part name | Pcs | Material / Finish |
|------------------|-----|----------------------------------|
| Mounting bracket | 4 | Glass fiber filled polycarbonate |
| Screw | 4 | Stainless steel / Unfinished |

Product no. / Dimensions

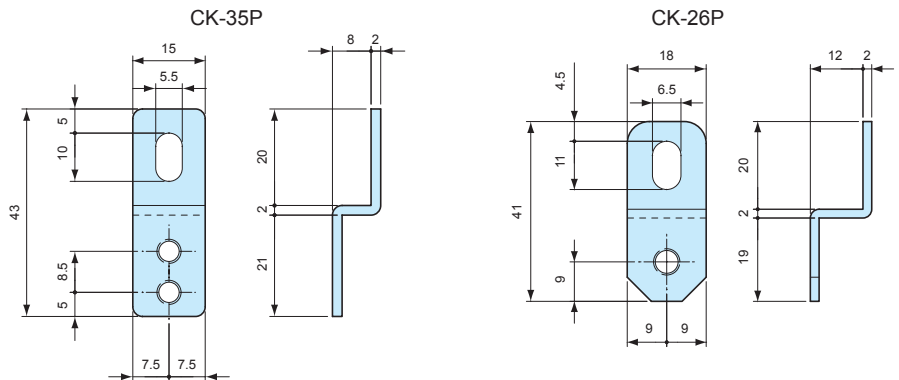
| Product no. | Suitable box | Screw |
|-------------|---|-------|
| BFL-1□ | BCAP • R, BCPC • K • R 0912, 1015, 1121, 1126, 1315, 1318, 1621, 1626, 1722, 1727, 212113 | M4-12 |
| BFL-2□ | BCAP • R, BCPC • K • R 1928, 2030, 2535, 2828, 2838, 3030, 3040, 3535, 3545, 4050, 4060, 5060 | M5-12 |
| BFL-2-21□ | BCAP • R, BCPC • K • R 212110 | M4-12 |

- Please suffix color code at the end of the product number.
- ※Not suitable for BCAP1515 model. Use CK-35P (Stainless steel) instead.



CK SERIES

STAINLESS STEEL MOUNTING BRACKET



Components

| Part name | Pcs | Material | Finish |
|------------------|-----|-----------------|---------------|
| Mounting bracket | 4 | Stainless steel | Barrel finish |
| Screw | 4 | Stainless steel | Unfinished |

Product no. / Dimensions

| Product no. | Suitable box | Screw |
|-------------|---|-------|
| CK-35P | BCAP • R, BCPC • K • R 0912, 1015, 1121, 1126, 1315, 1318, 1515, 1621, 1626, 1722, 1727, 2121 | M4-10 |
| CK-26P | BCAP • R, BCPC • K • R 1928, 2030, 2535, 2828, 2838, 3030, 3040, 3535, 3545, 4050, 4060 | M5-10 |

MT SERIES

PCB MOUNTING SCREW

- PCB mounting screws for inner bosses of BCAP • BCAR • BCPC • BCPK • BCPR series.

Product no. / Dimensions

| Product no. | Material | Finish | Pack of |
|-------------|----------|--------------------|---------|
| MT4-8T | Steel M4 | Trivalent chromate | 20 |
| MT5-8T | Steel M5 | Trivalent chromate | 20 |



Suitable Box

| Product no. | Suitable box | Weight / Torque |
|-------------|---|-----------------------|
| MT4-8T | BCAP • R, BCPC • K • R 0912, 1015, 1121, 1126, 1315, 1318, 1515, 1621, 1626, 1722, 1727, 1928, 2121 | 7kgf • cm (0.7N • m) |
| MT5-8T | BCAP • R, BCPC • K • R 2030, 2535, 2828, 2838, 3030, 3040, 3535, 3545, 4050, 4060, 5060, 5070, 6080 | 14kgf • cm (1.4N • m) |

SSK SERIES POLE MOUNTING BRACKET



- Stainless steel pole mounting bracket for BCAP • BCAR and BCPC • BCPK • BCPR series.
- No hole milling is required for maintaining the IP rating of the enclosure.
- Use PKB mounting belt to install onto a pole (See page 258 for PKB series).
- DXF/DWG/PDF drawings available on our website.

APPLICATION EXAMPLE

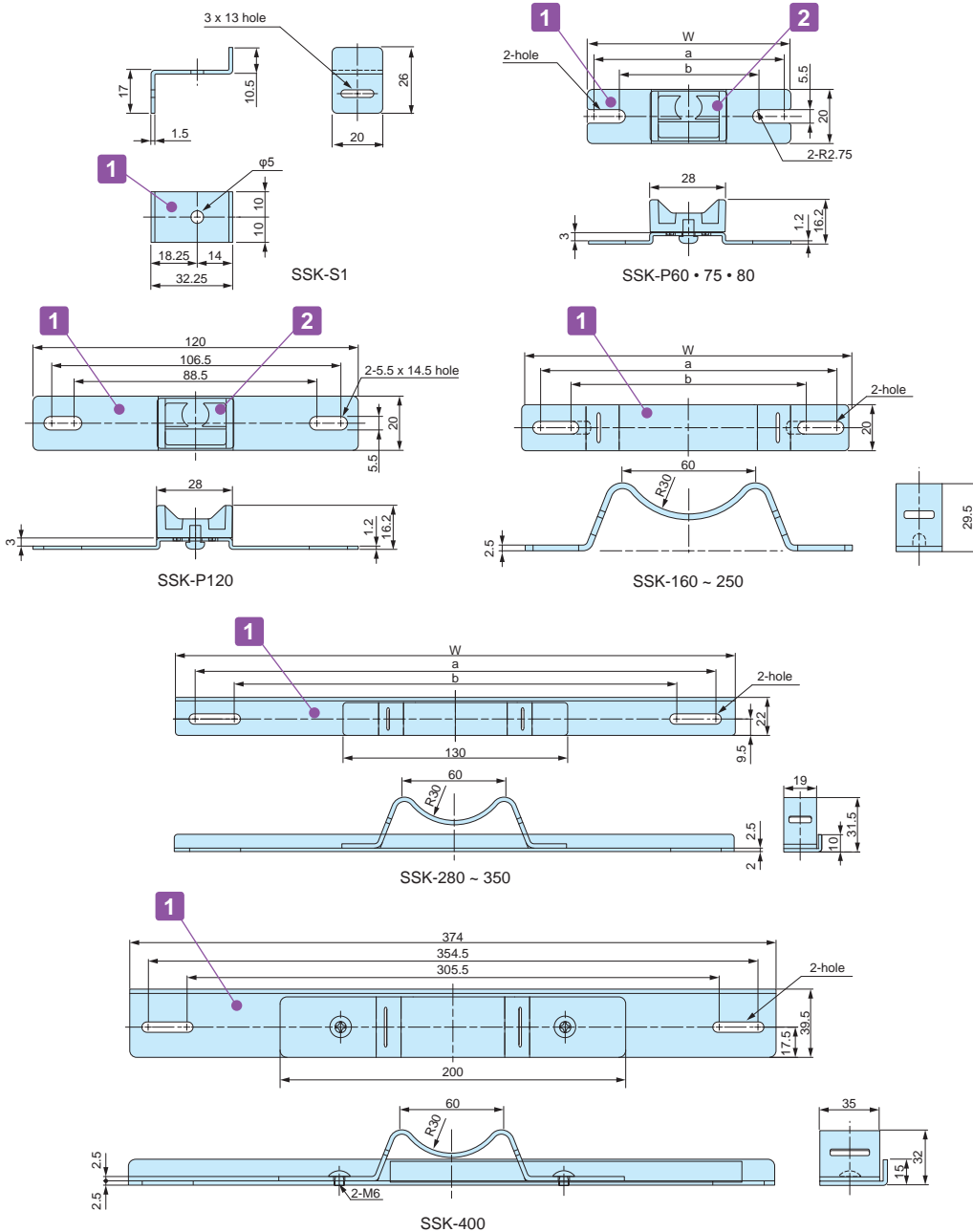


WEATHER STATION DATA LOGGER
Product by Sakaki Corporation (Japan)

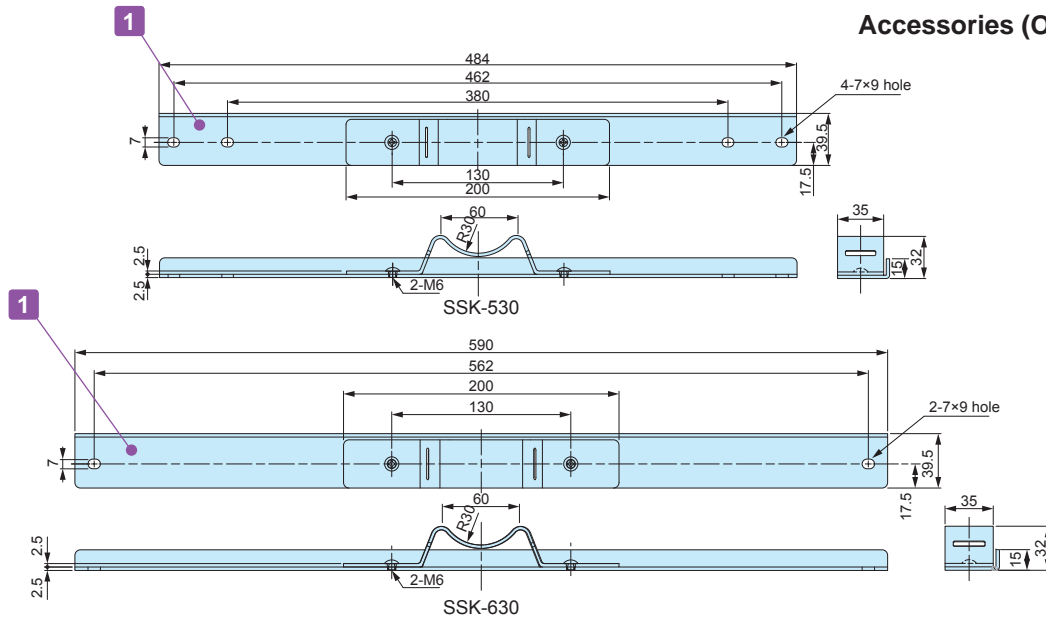


WATER LEVEL DETECTOR
Product by Aspect System (Japan)

SSK dimensions



Accessories (Optional parts)



Components

| No. | Part name | Pcs | Material | Color / Finish |
|-----|-----------------------------------|-------|------------------------|----------------------|
| 1 | Bracket | 2 / 4 | Stainless Steel SUS304 | Barrel finish |
| 2 | Plastic bracket (SSK-P type only) | 2 | ASA UL94HB | White gray (RAL7035) |
| - | Screw | 4 | Stainless Steel SUS304 | Unfinished |

Product no. / Dimensions

| Product no. | W | a | b | c | Box size | Belt to use with | Pack of |
|-------------|-------|-------|-------|----------|--|------------------|---------|
| SSK-S1 | 32.25 | 18.25 | 14 | - | 0912, 1015, 1121, 1126, 1315, 1318, 1621, 1626, 1722, 1727, 2121 | PKB-10P, PKB-10S | 4 |
| SSK-P60 | 60 | 54.5 | 46.5 | 5.5x9 | 0912 | PKB-10P, PKB-10S | 2 |
| SSK-P75 | 75 | 69.5 | 53.5 | 5.5x12.5 | 1015 | PKB-10P, PKB-10S | 2 |
| SSK-P80 | 80 | 74.5 | 64.5 | 5.5x10.5 | 1121, 1126 | PKB-10P, PKB-10S | 2 |
| SSK-P120 | 120 | 106.5 | 88.5 | 5.5x14.5 | 1315, 1318 | PKB-10P, PKB-10S | 2 |
| SSK-160 | 142 | 129.5 | 101 | - | 1515, 1621, 1626 | PKB-10P, PKB-10S | 2 |
| SSK-170 | 152 | 142.3 | 101 | - | 1722, 1727 | PKB-10P, PKB-10S | 2 |
| SSK-200 | 174 | 161.5 | 112.5 | - | 1928, 2030 | PKB-10P, PKB-10S | 2 |
| SSK-210 | 192 | 180.5 | 131.5 | - | 2121 | PKB-10P, PKB-10S | 2 |
| SSK-250 | 230 | 215.5 | 166.5 | - | 2535 | PKB-10P, PKB-10S | 2 |
| SSK-280 | 260 | 244.5 | 195.5 | - | 2828, 2838 | PKB-10P, PKB-10S | 2 |
| SSK-300 | 280 | 264.5 | 215.5 | - | 3030, 3040 | PKB-10P, PKB-10S | 2 |
| SSK-350 | 324 | 302.5 | 253.5 | - | 3535, 3545 | PKB-10P, PKB-10S | 2 |
| SSK-400 | 374 | 354.5 | 305.5 | - | 4050, 4060 | PKB-20S | 2 |
| SSK-530 | 484 | 462 | 380 | 7x9 | 5060, 5070 | PKB-20S | 2 |
| SSK-630 | 590 | 562 | - | 7x9 | 6080 | PKB-20S | 2 |

PKB SERIES

POLE MOUNTING BELT



PKB-10PM, 10P

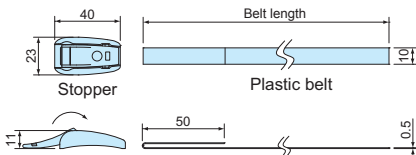


PKB-10S, 20S

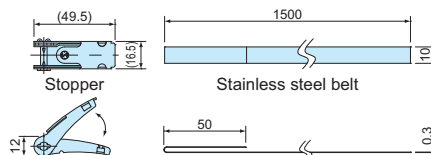
- New shorter belt type PKB-10PM is available for Φ25 to Φ60mm poles. Other belt types are for Φ60 to Φ400mm poles.
- Designed for one time use only (not reusable).
- Strong stainless steel clamping type and easy installation plastic type are available.
- Use SSK mounting bracket for installation onto a pole.

■ Drawings below are reference examples only.
DXF/DWG/PDF drawings available on our website.

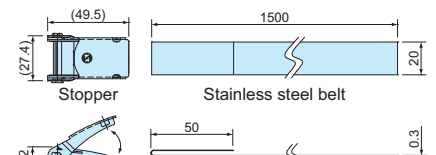
PKB-10PM, 10P



PKB-10S



PKB-20S



Components

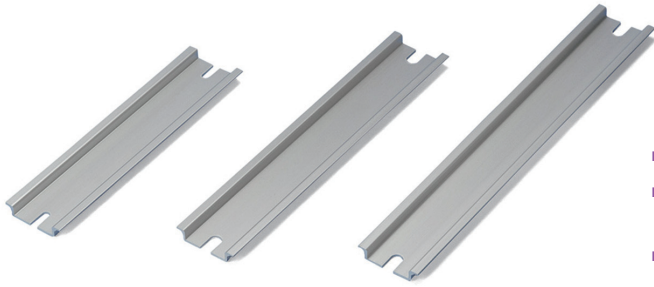
| Part name | Pcs | Material | Color / Finish |
|-----------|-----|------------------------------|-------------------------------|
| Stopper | 2 | POM • Stainless steel SUS304 | Black • Barrel finish |
| Belt | 2 | PET • Stainless steel SUS430 | Gray • Bright annealed finish |

Product no. / Dimensions

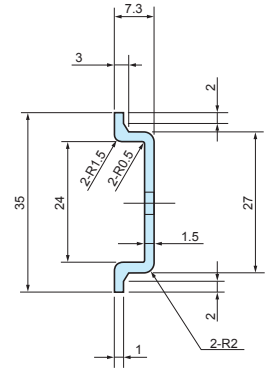
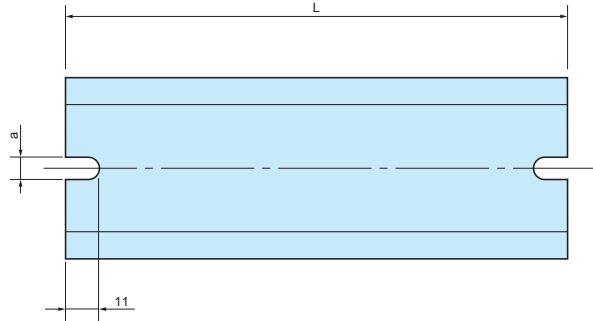
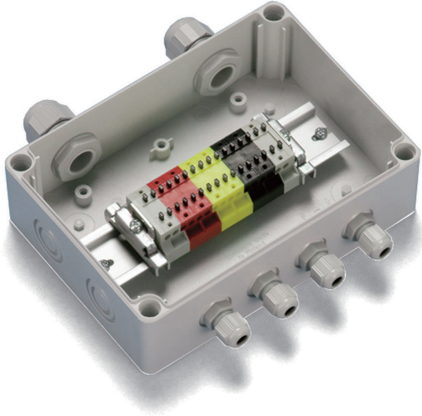
| Product no. | W | D | H | a | b | Belt material | Belt length | Tensile strength (horizontal) | Weight (g) | Pack of |
|---------------------|--------|--------|----|----|-----|-----------------|-------------|-------------------------------|------------|---------|
| NEW PKB-10PM | 24 | 23 | 11 | 10 | 0.5 | PET | 500mm | 0.8kN | 14 | 2 |
| PKB-10P | 23 | 40 | 11 | 10 | 0.5 | PET | 1,500mm | 1.3kN | 31.8 | 2 |
| PKB-10S | (16.5) | (49.5) | 12 | 10 | 0.3 | Stainless steel | 1,500mm | 1.4kN | 101.6 | 2 |
| PKB-20S | (27.4) | (49.5) | 12 | 20 | 0.3 | Stainless steel | 1,500mm | 2.9kN | 182.2 | 2 |

FDR SERIES

DIN-RAIL



- DIN rail for installation of terminals, relays or switches inside enclosures.
- Available in different models and lengths to fit a wide variety of mounting boss pitch.
- FDR-1000 is available if customized length is required.



Feature

| Material | Finish |
|------------------------------|-----------------|
| Extruded Aluminium A6063S-T5 | Silver anodized |

Product no. / Dimensions

| Product no. | L | a | Matching boss pitch |
|-------------|-----|-----|---------------------|
| FDR- 50 | 50 | 4.2 | 32 ~ 42 |
| 57 | 57 | 4.2 | 39 ~ 49 |
| 66 | 66 | 4.2 | 48 ~ 58 |
| 77 | 77 | 4.2 | 59 ~ 69 |
| 80 | 80 | 4.2 | 62 ~ 72 |
| 87 | 87 | 4.2 | 69 ~ 79 |
| 92 | 92 | 4.2 | 74 ~ 84 |
| 100 | 100 | 4.2 | 82 ~ 92 |
| 106 | 106 | 4.2 | 88 ~ 98 |
| 110 | 110 | 4.2 | 92 ~ 102 |
| 120 | 120 | 4.2 | 102 ~ 112 |
| 128 | 128 | 4.2 | 110 ~ 120 |
| 137 | 137 | 4.2 | 119 ~ 129 |
| 142 | 142 | 4.2 | 124 ~ 134 |
| 146 | 146 | 4.2 | 128 ~ 138 |
| 150 | 150 | 4.2 | 132 ~ 142 |
| 168 | 168 | 4.2 | 150 ~ 160 |
| 170 | 170 | 4.2 | 152 ~ 162 |
| 186 | 186 | 4.2 | 168 ~ 178 |
| 202 | 202 | 4.2 | 184 ~ 194 |
| 205 | 205 | 4.2 | 187 ~ 197 |
| 223 | 223 | 4.2 | 205 ~ 215 |
| 226 | 226 | 4.2 | 208 ~ 218 |
| 235 | 235 | 4.2 | 217 ~ 227 |
| 242 | 242 | 4.2 | 224 ~ 234 |
| 249 | 249 | 4.2 | 231 ~ 241 |
| 283 | 283 | 4.2 | 265 ~ 275 |
| 300 | 300 | 4.2 | 282 ~ 292 |
| 350 | 350 | 4.2 | 332 ~ 342 |
| 450 | 450 | 4.2 | 432 ~ 442 |
| 550 | 550 | 4.2 | 532 ~ 542 |

| Product no. | L | a | Matching boss pitch |
|-----------------|------|-----|---------------------|
| FDR-B102 | 102 | 6.5 | 86 ~ 92 |
| NEW B124 | 124 | 6.5 | 108 ~ 114 |
| B142 | 142 | 6.5 | 126 ~ 132 |
| B160 | 160 | 6.5 | 144 ~ 150 |
| B165 | 165 | 6.5 | 149 ~ 155 |
| B176 | 176 | 6.5 | 160 ~ 166 |
| B183 | 183 | 6.5 | 167 ~ 173 |
| B223 | 223 | 6.5 | 207 ~ 213 |
| B260 | 260 | 6.5 | 244 ~ 250 |
| B283 | 283 | 6.5 | 267 ~ 273 |
| B303 | 303 | 6.5 | 287 ~ 293 |
| B338 | 338 | 6.5 | 322 ~ 328 |
| B360 | 360 | 6.5 | 344 ~ 350 |
| B376 | 376 | 6.5 | 360 ~ 366 |
| B383 | 383 | 6.5 | 367 ~ 373 |
| B463 | 463 | 6.5 | 447 ~ 453 |
| B560 | 560 | 6.5 | 544 ~ 550 |
| B623 | 623 | 6.5 | 607 ~ 613 |
| FDR-1000 | 1000 | — | — |

■ FDR-1000 does not have mounting holes.

Matching DIN-Rail Chart

BC□□ series

| Product no. | Matching DIN-Rail |
|-------------|-------------------|
| 091207 | FDR - 80 |
| 091208 | 80 |
| 101507 | 110 |
| 101508 | 110 |
| 112107 | 170 |
| 112110 | 170 |
| 112607 | 223 |
| 112610 | 223 |
| BCAP | |
| BCPC | |
| BCPK | |
| BCAR | |
| BCPR | |
| 131508 | 120 |
| 131808 | 150 |
| 131810 | 150 |
| 151509 | 120 |
| 151512 | 120 |
| 162110 | 170 |
| 162113 | 170 |
| 162610 | 223 |
| 162613 | 223 |
| 172211 | 170 |
| 172711 | 223 |

BDN series

| Product no. | Matching DIN-Rail |
|-------------|-------------------|
| 6- 8- 5 | FDR - 50 |
| 7-10- 4 | - |
| 9- 9- 6 | FDR - 80 |
| 9-13- 5 | 120 |
| 10-14- 7 | 128 |
| 11-16- 6 | 150 |
| 12-22- 8 | 205 |
| 16-26- 9 | 242 |

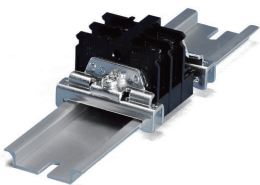
BCAS series

| Product no. | Matching DIN-Rail |
|-------------|-------------------|
| 071005 | FDR - 92 |
| 080806 | 66 |
| 081104 | 92 |
| 081107 | 92 |
| 081108 | 92 |
| 081110 | 92 |
| 081307 | 110 |
| 081308 | 110 |
| 081807 | 168 |
| 081808 | 168 |
| 082507 | 235 |
| 082508 | 235 |
| 101007 | 77 |
| 101010 | 77 |
| 101807 | 150 |
| 102007 | 170 |
| 102307 | 202 |
| 121207 | 80 |
| 121210 | 80 |
| 141709 | 146 |
| 142309 | 205 |
| 151507 | 120 |
| 151510 | 120 |
| 152004 | 170 |
| 152007 | 170 |
| 152010 | 170 |
| 152013 | 170 |
| 152016 | 170 |
| 152510 | 226 |
| 152513 | 226 |
| 161607 | 137 |

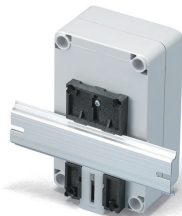
SPCM • SPCP series

| Product no. | Matching DIN-Rail |
|-------------|-------------------|
| 081304 | FDR - 50/100 |
| 081305 | 50/100 |
| 081306 | 50/100 |
| 081308 | 50/100 |
| 081310 | 50/100 |
| 081313 | 50/100 |
| 101004 | 80 |
| 101006 | 80 |
| 131304 | 100 |
| 131305 | 100 |
| 131306 | 100 |
| 131308 | 100 |
| 131310 | 100 |
| 131313 | 100 |
| SPCM | |
| SPCP | |
| 131804 | 100/150 |
| 131805 | 100/150 |
| 131806 | 100/150 |
| 131808 | 100/150 |
| 131810 | 100/150 |
| 131813 | 100/150 |
| 131815 | 100/150 |
| 181808 | 150 |
| 181810 | 150 |
| 181813 | 150 |
| 181815 | 150 |
| 182508 | 150/223 |
| 182510 | 150/223 |
| 182515 | 150/223 |

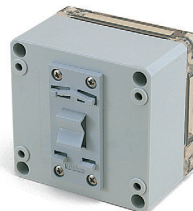
Accessories (Optional parts)



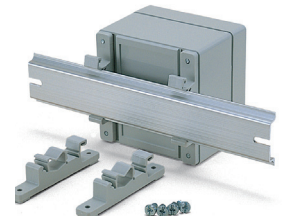
DIN-Rail stopper bracket TKR series
See page DIN-ACC-2



DIN-Rail mounting base DRA series
See page DIN-ACC-1



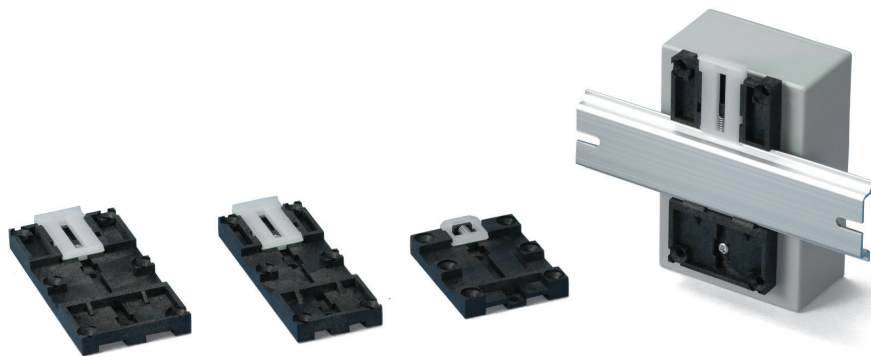
DIN-Rail mounting base DRT series
See page DIN-ACC-1



DIN-Rail mounting feet CKD series
See page DIN-ACC-2

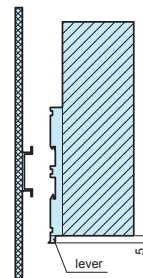
DRA SERIES

DIN-RAIL MOUNTING BASE



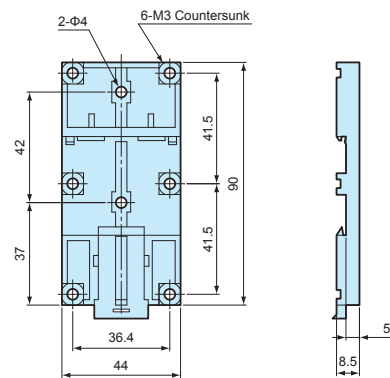
■ **NOTE**

Before installation, please ensure that the lever is not fully hidden behind the enclosure.

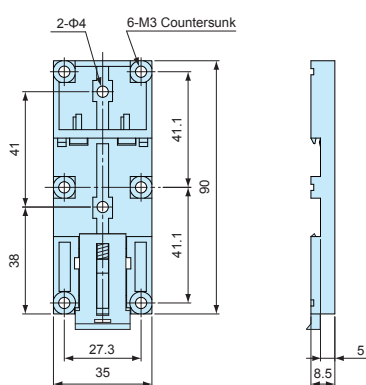


- For installation of enclosures, PCB and other parts onto a DIN rail.
- Simple installation and removal via the pull lever.

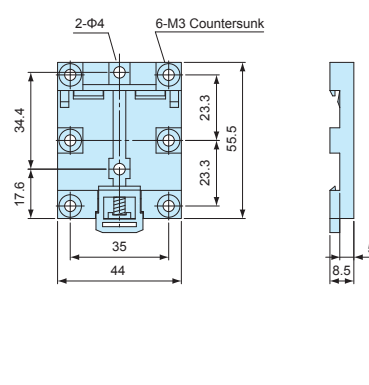
DRA-1



DRA-2



DRA-3

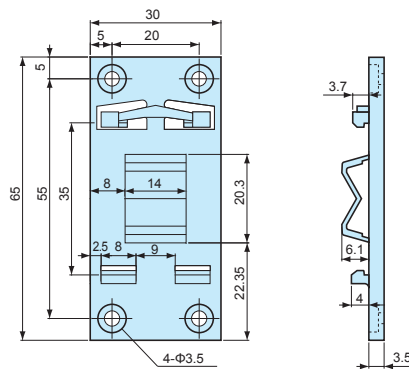
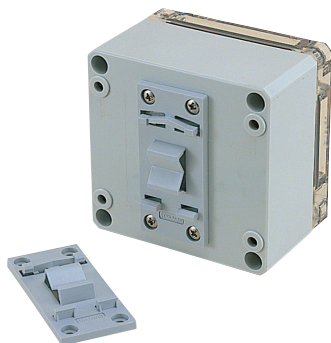


Product no. / Dimensions

| Product no. | Material (body) | Material (lever) | Color | Weight (g) | Max load (kg) |
|-------------|------------------|------------------|---------------------|------------|---------------|
| DRA-1 | PPE : SB UL94V-1 | Nylon 66 UL94V-2 | Black : Milky white | 16.4 | 5 |
| DRA-2 | PPE : SB UL94V-1 | Nylon 66 UL94V-2 | Black : Milky white | 14.5 | 5 |
| DRA-3 | PPE : SB UL94V-1 | Nylon 66 UL94V-2 | Black : Milky white | 10.4 | 5 |

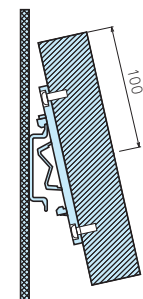
DRT SERIES

DIN-RAIL MOUNTING BASE



■ **NOTE**

Before installation, please ensure that the length (from top) of the enclosure is equal to, or less than 100mm from the center of the mounting base.



- For installation of enclosures, PCB and other parts onto a DIN rail.
- Simple installation and removal by tilting the case at an angle and sliding it in/out.

Product no. / Dimensions

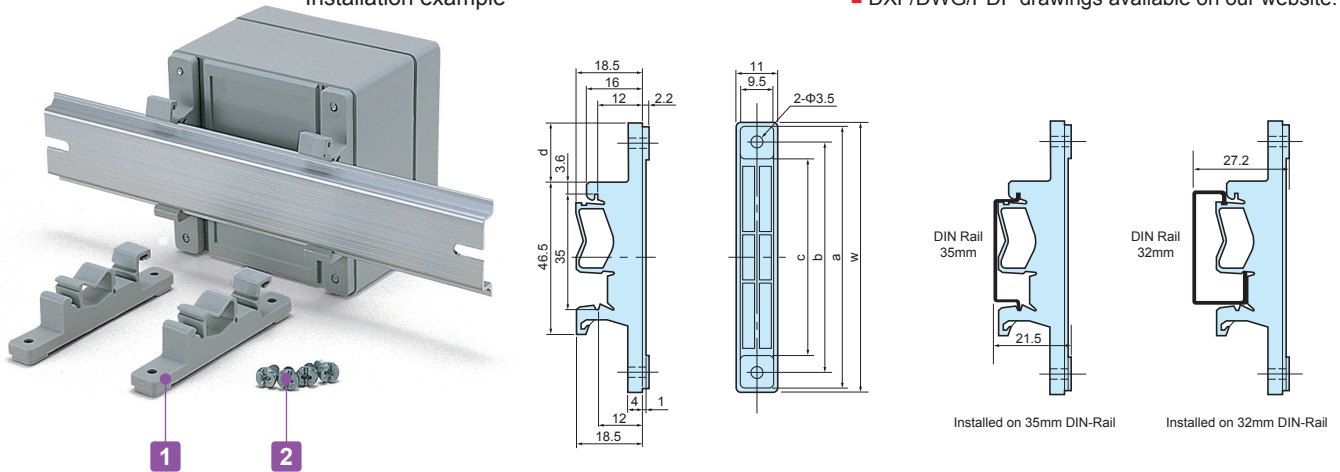
| Product no. | Material | Color | Weight (g) | Max load (kg) |
|-------------|-------------|------------|------------|---------------|
| DRT-1 | PBT UL94V-0 | Light gray | 7.3 | 1 |

CKD SERIES

DIN-RAIL MOUNTING FEET

Installation example

■ DXF/DWG/PDF drawings available on our website.



■ Mounting feet for installation of enclosures, PCB and other parts onto a DIN rail. Can be easily detached.

| Technical Data |
|----------------|
| Max load : 3kg |

Components

| No. | Part name | Pcs | Material | Color / Finish |
|-----|--------------------------------|-----|-----------|------------------|
| 1 | Mounting feet | 2 | Polyamide | White gray |
| 2 | Screw (special type 4.2 x 9.5) | 4 | Screw | Unichrome plated |

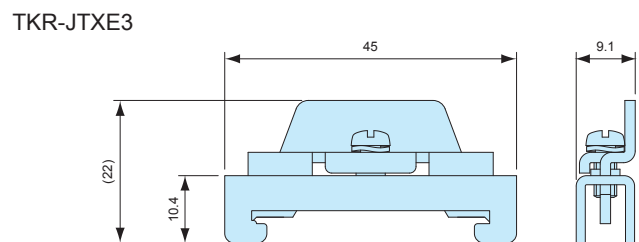
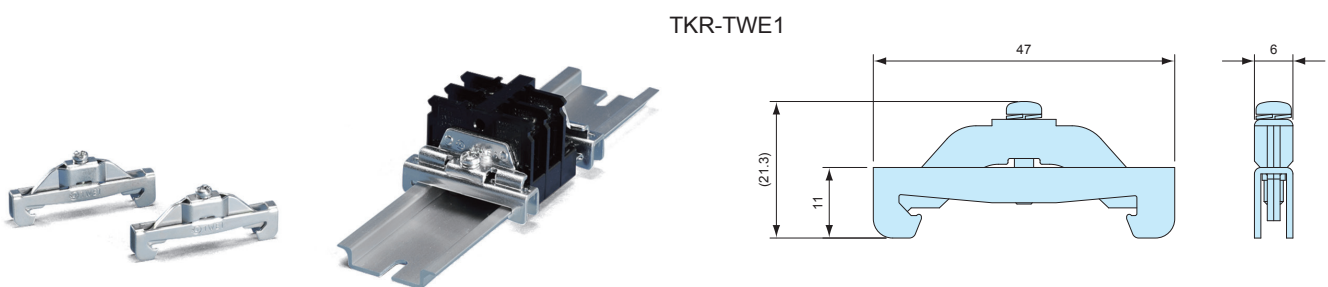
Product no. / Dimensions

| Product no. | W | a | b | c | d | Pack of |
|-------------|-----|-----|-----|-----|----|---------|
| CKD- 80 | 77 | 75 | 66 | 56 | 17 | 2 |
| CKD-120 | 117 | 115 | 106 | 96 | 37 | 2 |
| CKD-160 | 157 | 155 | 147 | 136 | 57 | 2 |

TKR SERIES

DIN-RAIL TERMINAL BLOCKS END STOPPER

■ DXF/DWG/PDF drawings available on our website.



- Stopper bracket for use with 35mm DIN-rail to keep an attachment at a fixed location.
- TKR-TWE1 is used with small DIN rail attachment parts. For larger/higher attachment parts, TKR-JTXE3 is recommended for providing additional support.

Product no. / Feature

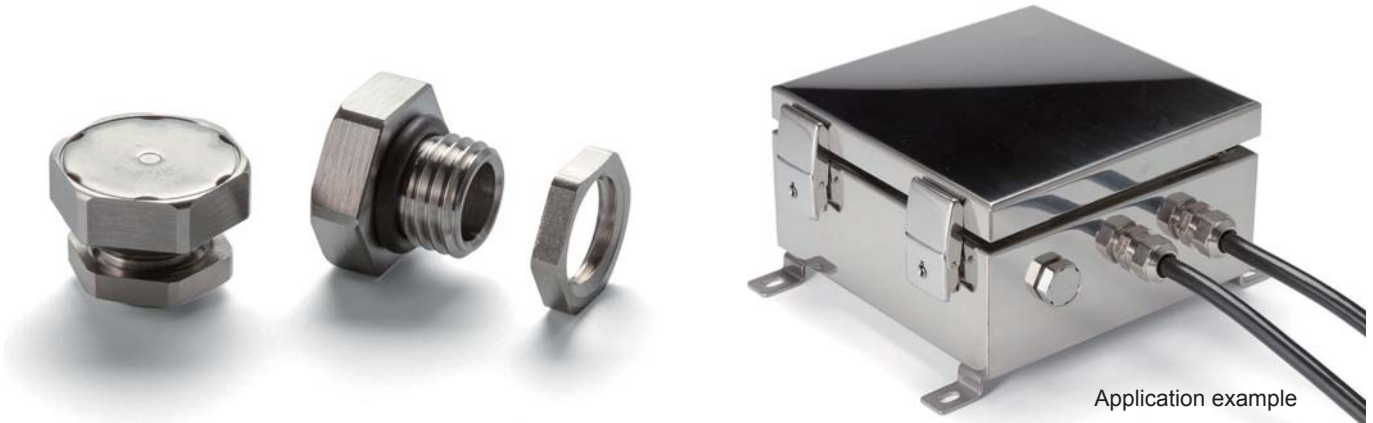
| Product no. | Material | Color / Finish | Pack of |
|-------------|-------------|--------------------|---------|
| TKR-TWE1 | Steel sheet | Trivalent chromate | 2 |
| TKR-JTXE3 | Steel sheet | Trivalent chromate | 2 |

PMF-12M

STAINLESS STEEL PROTECTIVE VENT

★ ★ NEW

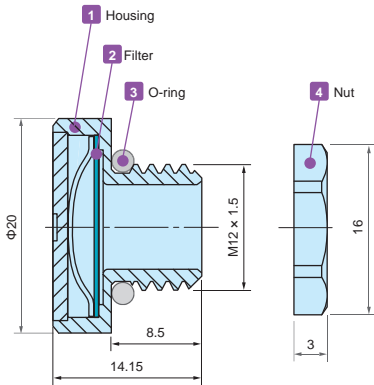
IP68 IP69K



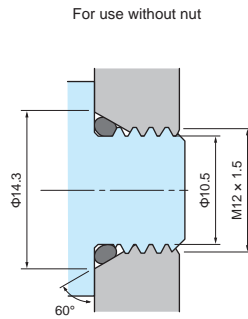
Application example

- Stainless steel protective vent for superior durability and chemical resistance.
- IP68 protection class (water depth 2 meters / 60 mins) and -40°C ~ +125°C operating temperature range allows it to be used in various environments.
- Suitable for enclosures with capacities of 20 liters or under.
- For outdoor use, installation on the side of the enclosure unit is recommended.

PMF-12M dimensions

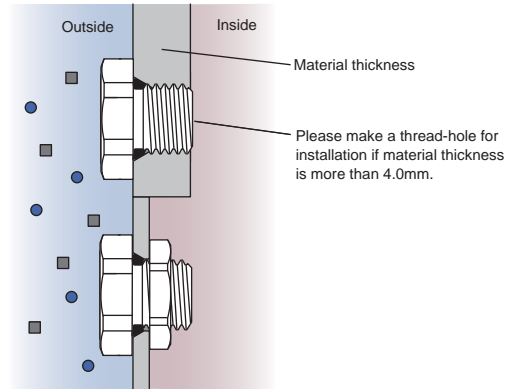


Hole milling drawings



■ While Φ12.2mm through-hole is sufficient for installation, 60° angle tapered hole is recommended to prevent deformation of the O-ring.

Installation drawings



■ If used with a lock nut, material thickness should not exceed 4.0mm.

Technical Data

| | |
|--------------------|--|
| Airflow | 1600ml / min (dp = 7 kPa) |
| Recommended Torque | 0.6 ~ 1.2 N · m |
| Certifications | IEC60529 (Protection class test) : IP66 • IP67 • IP68 • IP69K IEC60068-2-1, 2, 14 (Heat resistance test) : -40°C ~ +125°C IEC60068-2-78 (Humidity test) : 85°C • 85% humidity • 1000 hours IEC60068-2-64 (Vibration test) |

Product no. / Dimensions

| Product no. | Material | | | | G | | Nut SW |
|-------------|-----------------|----------|----------|-----------------------|-------------|------------|--------|
| | 1 Housing | 2 Filter | 3 O-ring | 4 Nut | Thread size | Mount hole | |
| PMF-12M | Stainless steel | PTFE | Silicone | Brass • Nickel plated | M12 x 1.5 | Φ12.2 | 15 |

PMF SERIES

PROTECTIVE VENT

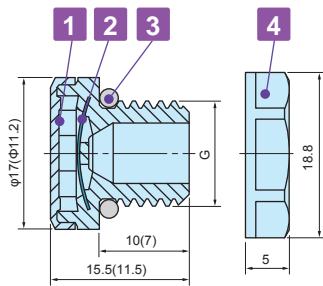


Application example

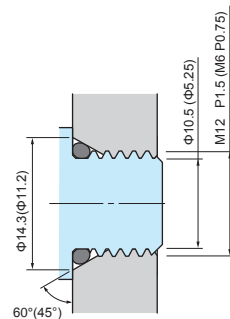
- Protective vents prevents the ingress of a variety of contaminants, such as water, dust and other particules while allowing water vapor molecules to diffuse through the microporous membrane.
- Equalize pressure and reduce condensation by allowing airflow into and out of sealed enclosures.
- With an IP68 protection class (water depth 2 meters / 60 mins) and -40°C ~ +125°C operating temperature range, it can be used in harsh environmental conditions.
- PMF-6B works up to 2 liters capacity enclosures. Whereas, PMF-12 models work for up to 5 liters and PMF-12HS models work for up to 50 liters.
- For outdoor use, more efficient to install on the side(s).
- Recommended to use for industrial, electric, electronics purpose only.

PMF dimensions

■ Drawings below are reference examples only.
DXF/DWG/PDF drawings available on our website.

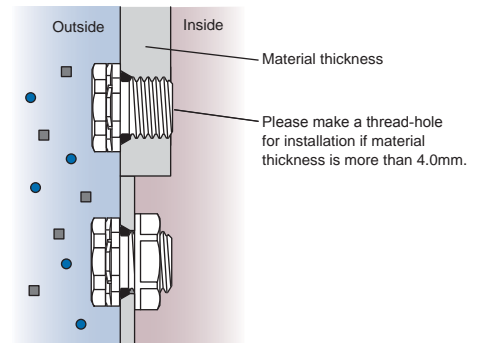


Hole milling drawings



■ While Φ12.2mm through-hole is sufficient for installation, 60° angle tapered hole is recommended to prevent deformation of the O-ring.

Installation drawings



■ If used with a lock nut, material thickness should not exceed 4.0mm, and Φ12.2mm through-hole is sufficient.

Technical Data

| Product no. | PMF-6B | PMF-12 | PMF-12HA |
|--------------------|---|--------------------------|---------------------------|
| Airflow | 300ml / min (dp = 7 kPa) | 450ml / min (dp = 7 kPa) | 4000ml / min (dp = 7 kPa) |
| Recommended Torque | 0.2 ~ 0.4 N · m | 0.6 ~ 0.8 N · m | 0.6 ~ 0.8 N · m |
| Certifications | IEC60529 (Protection class test): IP66 • IP67 • IP68 • IP69K (Not for PMF-6B) IEC60068-2-1, 2, 14 (Heat resistance test): - 40°C ~ +125°C (~+150°C for PMF-6B) IEC60068-2-78 (Humidity test): 85°C • 85% humidity • 1000 hours IEC60068-2-64 (Vibration test) (PMF-6B only) UL94V-0 (Flame-resistant) • UL746C f1 | | |

Product no. / Dimensions

| Product no. | | Material | | | | G | | Nut SW |
|--------------|-------------------|--------------------------|----------|----------|---------------|-------------|------------|--------|
| ● Light gray | ● Black | 1 Housing | 2 Filter | 3 O-ring | 4 Lock nut | Thread size | Mount hole | |
| — | NEW PMF-6B | PA6 (Body) PA66 (Cap) | PTFE | Silicone | n/a | M6 x 0.75 | — | — |
| PMF-12S | PMF-12B | PA6 | PTFE | Silicone | PA6 (UL94V-2) | M12 x 1.5 | Φ12.2 | 17 |
| PMF-12HAS | PMF-12HAB | PA6 | PTFE | Silicone | PA6 (UL94V-2) | M12 x 1.5 | Φ12.2 | 17 |

PMF-32 SERIES

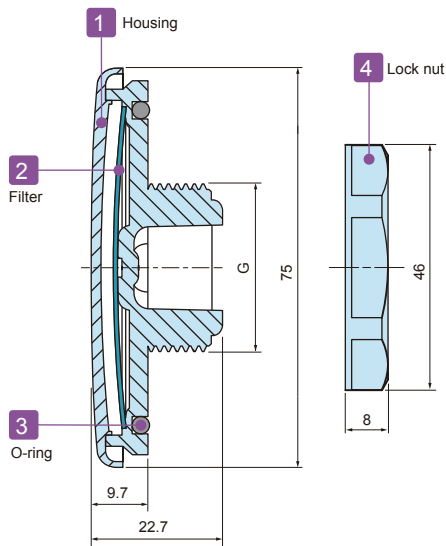
LARGE PROTECTIVE VENT



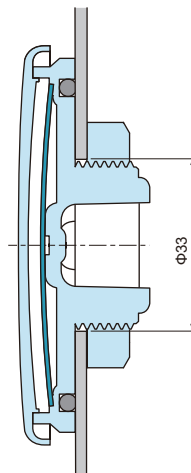
Application example

- Maintaining high airflow for large enclosures in an outdoor environment.
- Equalize pressure and reduce condensation by allowing airflow into and out of sealed enclosures.
- Simple and flat design allows it to be used on a wide variety of enclosure types.
- IP68 protection class rated with an operating temperature range of -40°C ~ +125°C allows it to be used in harsh environments.
- Compliant with Solar industry testing IEC62108 standards.
- For superior performance, installation on the side of the enclosure is recommended.

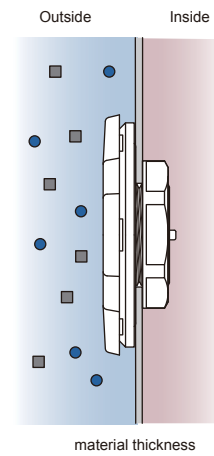
PMF-32 Dimensions



Hole milling drawings



Installation drawings



- If used with a lock nut, material thickness should not exceed 5.0mm.

Technical Data

| | |
|------------------------------|---|
| Airflow | 16 ℓ / min (dp = 12 mbar) |
| Recommended torque | 5 N • m |
| Certifications (without nut) | IEC529, 2nd (Protection class test): IP66 • IP67 • IP68 • IP69K IEC60068-2-1, 2, 14 (Heat resistance test): - 40°C ~ +125°C IEC60068-2-78 (Humidity test): 85°C • 85% humidity • 1000 hours IEC62108.10.8 • 9 (Solar industry test): Freezing - high temperature test • Hail impact test UL94V-0 (Flame-resistant) • UL746C |

Product no. / Dimensions

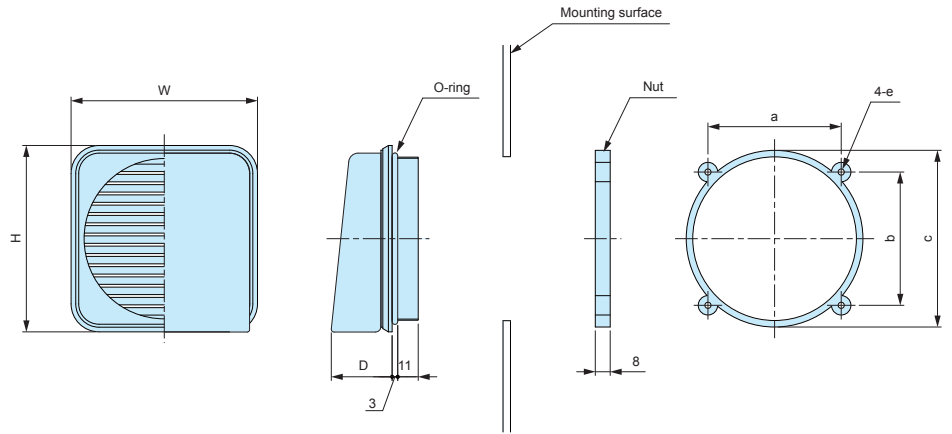
| Product no. | Material | | | | G | | Nut SW |
|-------------|-----------|----------|----------|------------|-------------|------------|--------|
| | 1 Housing | 2 Filter | 3 O-ring | 4 Lock nut | Thread size | Mount hole | |
| PMF-32S | PC | PTFE | Silicone | PA6 | M32×1.5 | Φ33 | 41.5 |

V SERIES

VENTILATION LOUVER



- Recommended for condensation prevention and heat dissipation.
- 2 models available: ABS V60, V80 for BCAP and BCAR series, and PC V60S, V80S for BCPC, BCPK and BCAR series.
- Suitable to be used on a variety of enclosure types, series and models.



Product no. / Dimensions

| Product no. | Material | Color | Installation hole | W | H | D | a | b | c | e |
|-------------|---------------|------------|-------------------|------|------|------|------|------|------|------|
| V60 | ABS | White gray | Φ63 | 74.5 | 74.5 | 30.8 | 50.5 | 50.5 | 70 | Φ3.8 |
| V80 | ABS | White gray | Φ88 | 100 | 100 | 36 | 71.5 | 71.5 | 94.8 | Φ3.3 |
| V60S | Polycarbonate | Light gray | Φ63 | 74.5 | 74.5 | 30.8 | 50.5 | 50.5 | 70 | Φ3.8 |
| V80S | Polycarbonate | Light gray | Φ88 | 100 | 100 | 36 | 71.5 | 71.5 | 94.8 | Φ3.3 |

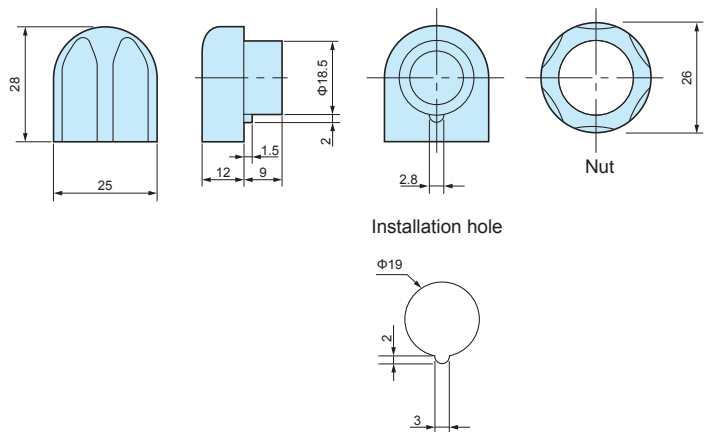
■ O-ring material: NBR Black

VF SERIES

VENTILATION PARTS



VF-1

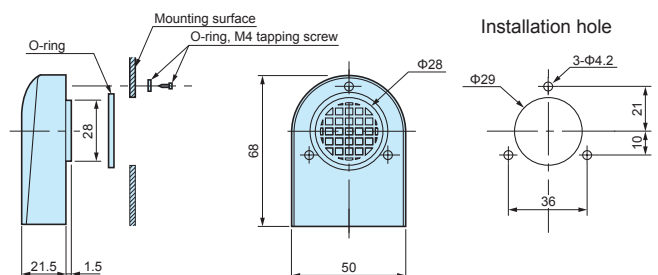


| Technical Data | |
|-------------------|------------------------|
| Protection class: | VF-1 IP33 VF-2 IP24 |

Product no.

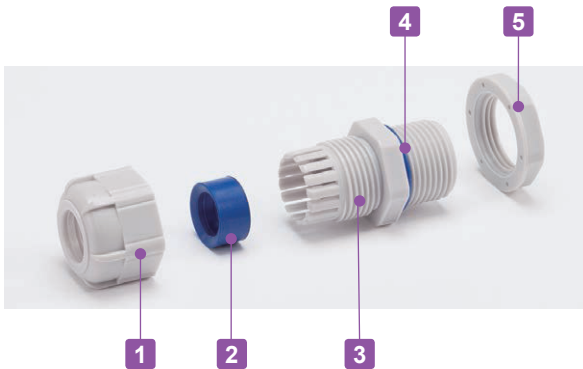
| Product no. | Material / Color |
|-------------|------------------------|
| VF-1 | Polyamide / White gray |
| VF-2 | Polyamide / White gray |

VF-2





- Weatherproof cable gland equipped with high ultraviolet and degradation resistant silicone sealing insert and O-ring.
- Recommended to use outdoors where waterproofing is critical.

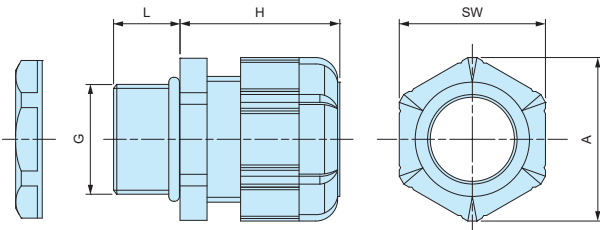


Components

■ PA = Polyamide

| No. | Part name | Material |
|-----|----------------|--------------|
| 1 | Cap | PA66 UL94V-2 |
| 2 | Sealing insert | Silicone |
| 3 | Connector | PA66 UL94V-2 |
| 4 | O-ring | Silicone |
| 5 | Nut | PA66 UL94V-2 |

RMW dimensions



Technical Data

Protection class: IP67
Operating temperature: -20°C ~ +80°C

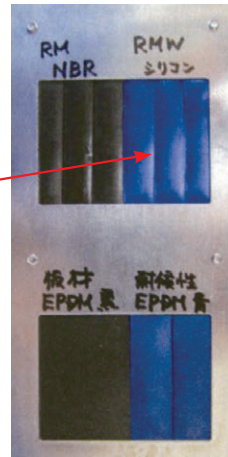
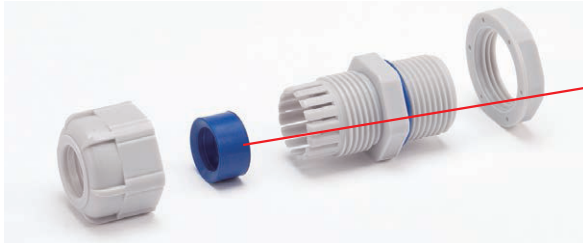
- DXF/DWG/PDF drawings available on our website.
- Lock nut is not included for RMW10S-6.
Please drill a proper thread hole into the enclosure for installation.

Product no. / Dimensions

| Product no. | | G | | Cable range | | L | H Max | SW | A | Pack of |
|--------------|--------------|-------------|---------------|-------------|-----|------|-------|------|------|---------|
| ● Black | ● Light gray | Thread size | Mounting hole | Min | Max | | | | | |
| RMW8L-2.5B | RMW8L-2.5S | M8×1.25 | Φ8.2 | 1 | 2.5 | 13 | 19.5 | 11.8 | 13.5 | 1 |
| RMW8L-4B | RMW8L-4S | M8×1.25 | Φ8.2 | 2.5 | 4 | 13 | 19.5 | 11.8 | 13.5 | 1 |
| RMW10S-6B | RMW10S-6S | M10×1.5 | — | 3 | 6 | 8 | 20.5 | 13 | 14.4 | 1 |
| RMW10L-6B | RMW10L-6S | M10×1.5 | Φ10.2 | 3 | 6 | 13 | 20.5 | 13 | 14.4 | 1 |
| RMW12S-7B | RMW12S-7S | M12×1.5 | Φ12.2 | 3.5 | 7 | 9 | 20.5 | 16 | 17.6 | 1 |
| RMW12L-7B | RMW12L-7S | M12×1.5 | Φ12.2 | 3.5 | 7 | 14.5 | 20.5 | 16 | 17.7 | 1 |
| RMW16S-8B | RMW16S-8S | M16×1.5 | Φ16.2 | 4 | 8 | 9 | 23.5 | 19 | 21 | 1 |
| RMW16L-8B | RMW16L-8S | M16×1.5 | Φ16.2 | 4 | 8 | 15 | 24 | 19 | 21 | 1 |
| RMW20S-12B | RMW20S-12S | M20×1.5 | Φ20.2 | 6 | 12 | 10 | 29 | 24 | 26.2 | 1 |
| RMW20L-12B | RMW20L-12S | M20×1.5 | Φ20.2 | 6 | 12 | 15 | 28.5 | 24 | 26.2 | 1 |
| RMW25L-17B | RMW25L-17S | M25×1.5 | Φ25.2 | 11 | 17 | 15 | 35 | 33 | 36.2 | 1 |
| RMW32L-21B | RMW32L-21S | M32×1.5 | Φ32.3 | 13 | 21 | 15 | 38 | 36 | 39.5 | 1 |
| RMW40L-27B | RMW40L-27S | M40×1.5 | Φ40.3 | 18 | 27 | 18 | 43.5 | 45.7 | 50.5 | 1 |
| RMW50L-38B | RMW50L-38S | M50×1.5 | Φ50.4 | 27 | 38 | 20 | 50.5 | 60 | 66.5 | 1 |
| RMW8L-2.5B-P | RMW8L-2.5S-P | M8×1.25 | Φ 8.2 | 1 | 2.5 | 13 | 19.5 | 11.8 | 13.5 | 100 |
| RMW8L-4B-P | RMW8L-4S-P | M8×1.25 | Φ 8.2 | 2.5 | 4 | 13 | 19.5 | 11.8 | 13.5 | 100 |
| RMW10L-6B-P | RMW10L-6S-P | M10×1.5 | Φ10.2 | 3 | 6 | 13 | 20.5 | 13 | 14.4 | 100 |
| RMW12S-7B-P | RMW12S-7S-P | M12×1.5 | Φ12.2 | 3.5 | 7 | 9 | 20.5 | 16 | 17.6 | 100 |
| RMW12L-7B-P | RMW12L-7S-P | M12×1.5 | Φ12.2 | 3.5 | 7 | 14.5 | 20.5 | 16 | 17.7 | 100 |
| RMW16S-8B-P | RMW16S-8S-P | M16×1.5 | Φ16.2 | 4 | 8 | 9 | 23.5 | 19 | 21 | 100 |
| RMW16L-8B-P | RMW16L-8S-P | M16×1.5 | Φ16.2 | 4 | 8 | 15 | 24 | 19 | 21 | 100 |
| RMW20S-12B-P | RMW20S-12S-P | M20×1.5 | Φ20.2 | 6 | 12 | 10 | 29 | 24 | 26.2 | 100 |
| RMW20L-12B-P | RMW20L-12S-P | M20×1.5 | Φ20.2 | 6 | 12 | 15 | 28.5 | 24 | 26.2 | 100 |
| RMW25L-17B-P | RMW25L-17S-P | M25×1.5 | Φ25.2 | 11 | 17 | 15 | 35 | 33 | 36.2 | 100 |

RMW series silicone sealing insert weatherproof test report

Object: Cut into a piece of the silicone sealing insert from RMW series and attach it onto an aluminium plate.
 For comparison, NBR sealing insert from our RM and EPDM sealing insert from another manufacturer is also attached for comparison purposes.



Before



After

Testing conditions

Equipment : 7.5kW Super Xenon Weather Meter SX75 (Suga Test Instruments Co., Ltd.- <http://www.sugatest.co.jp/english/>)
Conditions : JIS B7754 : 1991

Testing with an authorized Xenon arc lamp weathering test equipment under the conditions denoted below.

Irradiance : 180W/m² at 300-400nm

Black Panel Temperature : 63±3°C Humidity Range : 50±10%

Cycle Conditions : 120 minutes cycle (18 minutes irradiation + water spray - 102 minutes irradiation)

2,000 hours (equivalent to a period of 4 years under natural conditions)

Time period :

Total radiant exposure : 1296MJ/m²

Test result (visual / touch inspection)

Silicone sealing insert material : No cracks, no gloss transition, no powder - no appearance change at all. Flexibility remains unchanged.

Before



After



NBR material from our RM series : Lost glossiness on the surface and material is stiffened.

Before

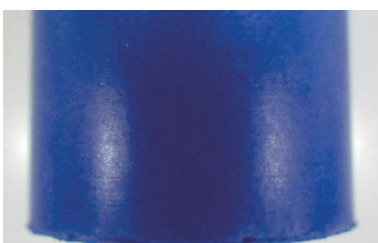


After

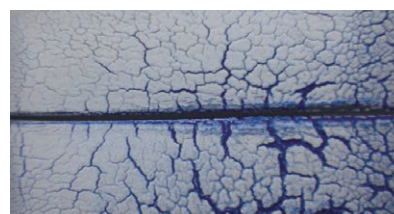


EPDM material from weatherproof cable gland of another manufacturer : Cracked, color drastically faded and powder appeared on the surface.

Before

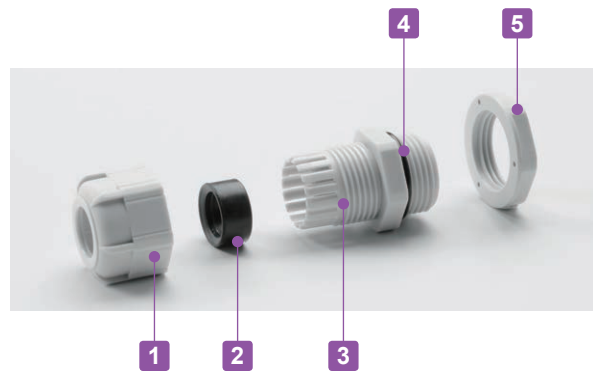


After



RM SERIES

POLYAMIDE CABLE GLAND



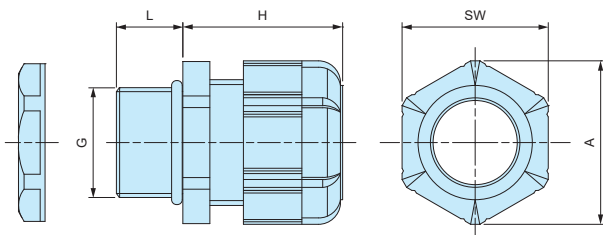
- Low cost cable glands made from polyamide material.
- Wide selection, for M8 ~ M63, suitable for $\Phi 1\text{mm} \sim \Phi 44\text{ mm}$ cable.
- High oil resistant NBR rubber sealing and O-ring.
- IP67 protection class.

Components

■ PA = Polyamide

| No. | Part name | Material |
|-----|----------------|--------------|
| 1 | Cap | PA66 UL94V-2 |
| 2 | Sealing insert | NBR |
| 3 | Connector | PA66 UL94V-2 |
| 4 | O-ring | NBR |
| 5 | Lock nut | PA66 UL94V-2 |

RM dimensions



Technical Data

Protection class: IP67
Operating temperature: -20°C ~ +80°C

- DXF/DWG/PDF drawings available on our website.
- Lock nut is not included for RM8S-2.5, 8S-4, and 10S-6 models.
Please drill a proper thread hole into the enclosure for installation.

Product no. / Dimensions

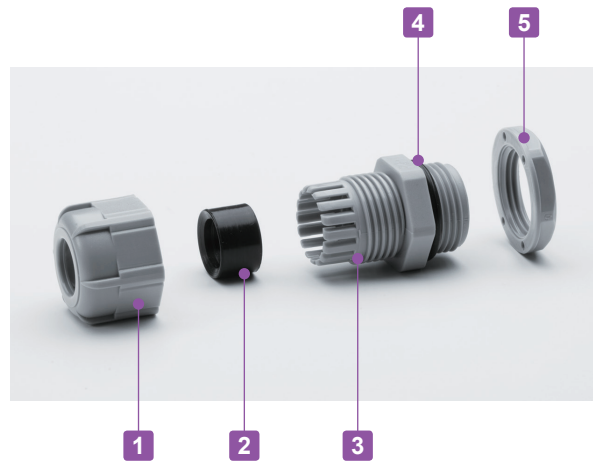
| Product no. | | G | | Cable range | | L | H Max | SW | A | Pack of |
|-------------|--------------|-------------|---------------|-------------|-----|------|-------|------|------|---------|
| ● Black | ● Light gray | Thread size | Mounting hole | Min | Max | | | | | |
| RM8S-2.5B | RM8S-2.5S | M8×1.25 | — | 1 | 2.5 | 7.5 | 19.5 | 11.8 | 13.5 | 1 |
| RM8L-2.5B | RM8L-2.5S | M8×1.25 | $\Phi 8.2$ | 1 | 2.5 | 13 | 19.5 | 11.8 | 13.5 | 1 |
| RM8S-4B | RM8S-4S | M8×1.25 | — | 2.5 | 4 | 7.5 | 19.5 | 11.8 | 13.5 | 1 |
| RM8L-4B | RM8L-4S | M8×1.25 | $\Phi 8.2$ | 2.5 | 4 | 13 | 19.5 | 11.8 | 13.5 | 1 |
| RM10S-6B | RM10S-6S | M10×1.5 | — | 3 | 6 | 8 | 20.5 | 13 | 14.4 | 1 |
| RM10L-6B | RM10L-6S | M10×1.5 | $\Phi 10.2$ | 3 | 6 | 13 | 20.5 | 13 | 14.4 | 1 |
| RM12S-7B | RM12S-7S | M12×1.5 | $\Phi 12.2$ | 3.5 | 7 | 9 | 20.5 | 16 | 17.6 | 1 |
| RM12L-7B | RM12L-7S | M12×1.5 | $\Phi 12.2$ | 3.5 | 7 | 14.5 | 20.5 | 16 | 17.7 | 1 |
| RM16S-8B | RM16S-8S | M16×1.5 | $\Phi 16.2$ | 4 | 8 | 9 | 23.5 | 19 | 21 | 1 |
| RM16L-8B | RM16L-8S | M16×1.5 | $\Phi 16.2$ | 4 | 8 | 15 | 24 | 19 | 21 | 1 |
| RM20S-12B | RM20S-12S | M20×1.5 | $\Phi 20.2$ | 6 | 12 | 10 | 29 | 24 | 26.2 | 1 |
| RM20L-12B | RM20L-12S | M20×1.5 | $\Phi 20.2$ | 6 | 12 | 15 | 28.5 | 24 | 26.2 | 1 |
| RM25L-17B | RM25L-17S | M25×1.5 | $\Phi 25.2$ | 11 | 17 | 15 | 35 | 33 | 36.2 | 1 |
| RM32L-21B | RM32L-21S | M32×1.5 | $\Phi 32.3$ | 13 | 21 | 15 | 38 | 36 | 39.5 | 1 |
| RM40L-27B | RM40L-27S | M40×1.5 | $\Phi 40.3$ | 18 | 27 | 18 | 43.5 | 45.7 | 50.5 | 1 |
| RM50L-38B | RM50L-38S | M50×1.5 | $\Phi 50.4$ | 27 | 38 | 20 | 50.5 | 60 | 66.5 | 1 |
| RM63L-44B | RM63L-44S | M63×1.5 | $\Phi 63.4$ | 37 | 44 | 20 | 53 | 68 | 75.5 | 1 |
| RM8L-2.5B-P | RM8L-2.5S-P | M8×1.25 | $\Phi 8.2$ | 1 | 2.5 | 13 | 19.5 | 11.8 | 13.5 | 100 |
| RM8L-4B-P | RM8L-4S-P | M8×1.25 | $\Phi 8.2$ | 2.5 | 4 | 13 | 19.5 | 11.8 | 13.5 | 100 |
| RM10L-6B-P | RM10L-6S-P | M10×1.5 | $\Phi 10.2$ | 3 | 6 | 13 | 20.5 | 13 | 14.4 | 100 |
| RM12S-7B-P | RM12S-7S-P | M12×1.5 | $\Phi 12.2$ | 3.5 | 7 | 9 | 20.5 | 16 | 17.6 | 100 |
| RM12L-7B-P | RM12L-7S-P | M12×1.5 | $\Phi 12.2$ | 3.5 | 7 | 14.5 | 20.5 | 16 | 17.7 | 100 |
| RM16S-8B-P | RM16S-8S-P | M16×1.5 | $\Phi 16.2$ | 4 | 8 | 9 | 23.5 | 19 | 21 | 100 |
| RM16L-8B-P | RM16L-8S-P | M16×1.5 | $\Phi 16.2$ | 4 | 8 | 15 | 24 | 19 | 21 | 100 |
| RM20S-12B-P | RM20S-12S-P | M20×1.5 | $\Phi 20.2$ | 6 | 12 | 10 | 29 | 24 | 26.2 | 100 |
| RM20L-12B-P | RM20L-12S-P | M20×1.5 | $\Phi 20.2$ | 6 | 12 | 15 | 28.5 | 24 | 26.2 | 100 |
| RM25L-17B-P | RM25L-17S-P | M25×1.5 | $\Phi 25.2$ | 11 | 17 | 15 | 35 | 33 | 36.2 | 100 |

RPG SERIES

POLYAMIDE CABLE GLAND

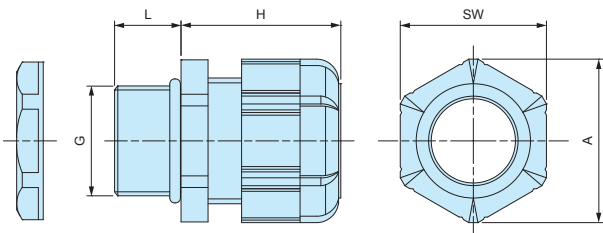


IP67



- Inexpensive cable glands made from polyamide material with PG threading.
- High oil resistant NBR rubber sealing and O-ring.
- IP67 protection class.

RPG dimensions



- DXF/DWG/PDF drawings available on our website.

Components

■ PA = Polyamide

| No. | Part name | Material |
|-----|----------------|--------------|
| 1 | Cap | PA66 UL94V-2 |
| 2 | Sealing insert | NBR |
| 3 | Connector | PA66 UL94V-2 |
| 4 | O-Ring | NBR |
| 5 | Lock-nut | PA66 UL94V-2 |

Technical Data

Protection class: IP67
Operating temperature: -20°C ~ +80°C

Product no. / Dimensions

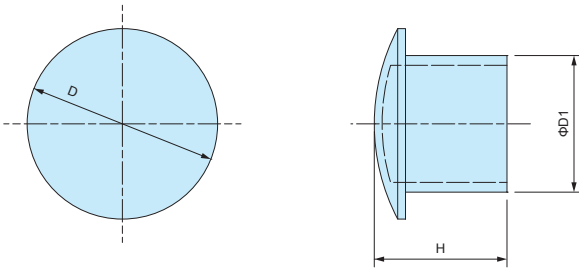
| Product no. | | G | | | Cable range | | L | H Max | SW | A | Pack of |
|-------------|-------------|-------------|-------------|---------------|-------------|-----|----|-------|------|------|---------|
| ● Black | ● Gray | Thread size | Thread dia. | Mounting hole | Min | Max | | | | | |
| RPG7-7B | RPG7-7G | PG7 | 12.5 | Φ12.7 | 3 | 7 | 9 | 20.5 | 16 | 17.7 | 1 |
| RPG9-8B | RPG9-8G | PG9 | 15.2 | Φ15.4 | 4 | 8 | 9 | 23.5 | 19 | 21 | 1 |
| RPG11-10B | RPG11-10G | PG11 | 18.6 | Φ18.8 | 5 | 10 | 9 | 26 | 22 | 24 | 1 |
| RPG13.5-11B | RPG13.5-11G | PG13.5 | 20.4 | Φ20.6 | 6 | 11 | 10 | 29 | 24 | 26.4 | 1 |
| RPG16-14B | RPG16-14G | PG16 | 22.5 | Φ22.7 | 8 | 14 | 10 | 30 | 26.7 | 29.5 | 1 |
| RPG21-18B | RPG21-18G | PG21 | 28.3 | Φ28.5 | 13 | 18 | 12 | 35 | 33 | 36.5 | 1 |
| RPG29-25B | RPG29-25G | PG29 | 37 | Φ37.2 | 18 | 25 | 12 | 41.5 | 42 | 46.5 | 1 |

SP SERIES

SEALING PLUG



SP dimensions



■ Material : Nylon

- Sealing plug for cable glands when not in use.
- Maintain a waterproof seal when plugged into the sealing insert on cable glands.

Product no. / Dimensions

| Product no. | D | D1 | H | Suitable cable glands | Pack of |
|-------------|------|------|------|--------------------------------------|---------|
| SP-12 | 10.2 | 6 | 15.5 | RMW12, RM12, RMW16, RM16, RPG7, RPG9 | 10 |
| SP-16 | 15.6 | 9.5 | 15.5 | RMW20, RM20, RPG11, RPG13.5 | 10 |
| SP-20 | 19.6 | 13.5 | 16.5 | RPG16 | 10 |
| SP-25 | 24.4 | 17.5 | 17 | RMW25, RM25, RMW32, RM32, RPG21 | 5 |
| SP-40 | 32.5 | 24.5 | 17.5 | RMW40, RM40, RPG29 | 5 |
| SP-50 | 47.2 | 38.9 | 17.6 | RMW50, RM50 | 5 |

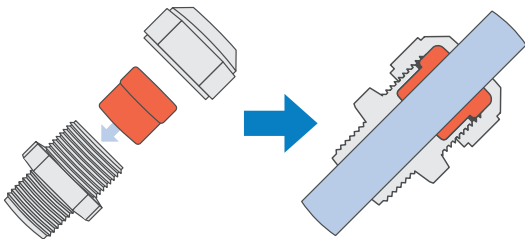


- High water protection IP68 (1bar / 30min) polyamide cable gland.
- Wide selection, for M8 ~ M50, suitable for $\Phi 2.5\text{mm} \sim \Phi 42\text{mm}$ cable.
- Super tough and superior heat resistant PA6GF (glass fiber filled PA6) material on cap and connector.
- Safer halogen free, eco-friendly product.

| Technical Data |
|---------------------------------------|
| Protection class: IP68 1bar / 30min |
| Operating temperature: -20°C ~ +100°C |
| Compliant with EN50262 Ver. A |

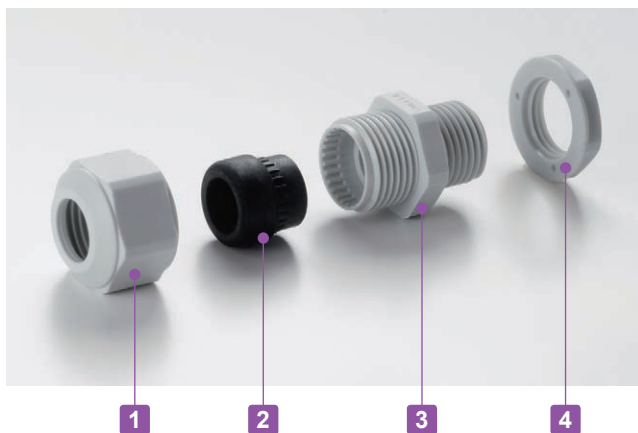
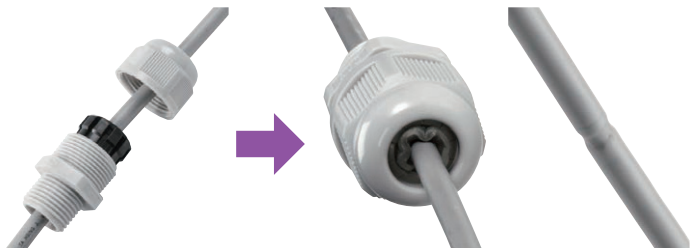
AG Series

Thicker sealing insert evenly hold a cable by having a larger holding area.
Remains durable even after repeated tightening / loosening.



Lamellar insert type

If over-tightened, it can cause the rubber bush or cable to deform, which can allow water to seep in.



Components

■ PA6GF = Polyamide6 Glass Fiber Filled

| No. | Part name | Material |
|-----|----------------|----------|
| 1 | Cap | PA6GF |
| 2 | Sealing insert | TPE |
| 3 | Connector | PA6GF |
| 4 | Lock nut | PA6 |

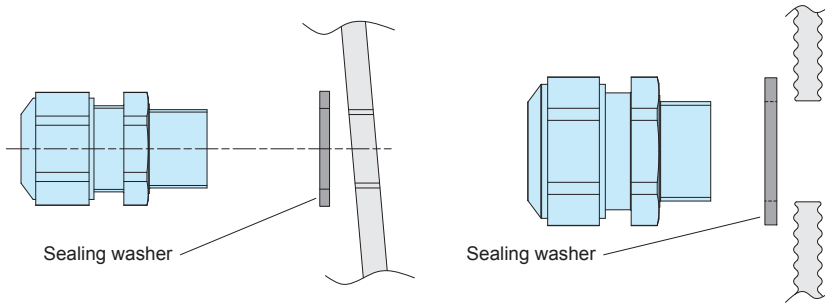
■ Lock nut is not included for M8 and M10 sizes.
Please drill a proper thread hole into the enclosure for installation.

- Proper tightening torque varies by each cable diameter. Tighten the cap until top of the sealing insert forms a small bead between the cap and the cable.



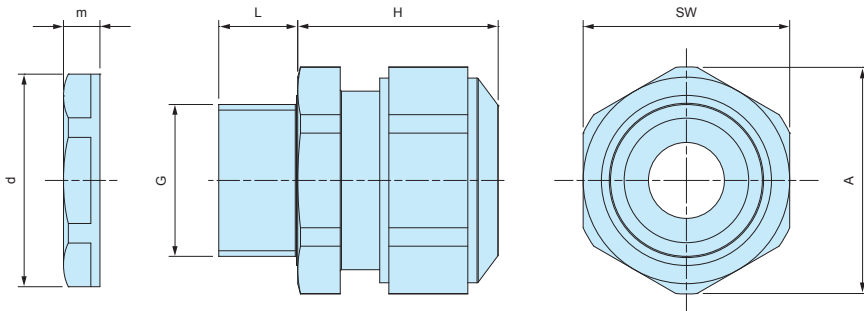
■ No optional sealing washer is required when installing on an even surface because of the built-in waterproof rib.

■ An optional sealing washer is required when installing on an uneven surface. (See page AGP-1 for more information on the optional sealing washer)



AG dimensions

■ DXF/DWG/PDF drawings available on our website.



■ Lock nut is not included for M8 and M10 sizes. Please drill a proper thread hole into the enclosure for installation.

Product no. / Dimensions

| Product no. | | G | | Cable range | | L | H Max | SW | A | d | m | Pack of |
|-------------|--------------|-------------|---------------|-------------|------|----|-------|----|------|------|-----|---------|
| ● Black | ● Light gray | Thread size | Mounting hole | Min | Max | | | | | | | |
| AG8-3.5B | AG8-3.5S | M8×1.0 | — | 2.5 | 3.5 | 10 | 17 | 12 | 13.2 | — | — | 1 |
| AG8-5B | AG8-5S | M8×1.0 | — | 3.5 | 4.7 | 10 | 17 | 12 | 13.2 | — | — | 1 |
| AG10-6B | AG10-6S | M10×1.0 | — | 4 | 6 | 10 | 19 | 15 | 16.5 | — | — | 1 |
| AG12-5B | AG12-5S | M12×1.5 | Φ12.2 | 3.5 | 4.7 | 12 | 23.5 | 17 | 18.7 | 18.8 | 5 | 1 |
| AG12-6.5B | AG12-6.5S | M12×1.5 | Φ12.2 | 5 | 6.5 | 12 | 23 | 17 | 18.7 | 18.8 | 5 | 1 |
| AG12-8B | AG12-8S | M12×1.5 | Φ12.2 | 6.5 | 7.8 | 12 | 23 | 17 | 18.7 | 18.8 | 5 | 1 |
| AG16-10B | AG16-10S | M16×1.5 | Φ16.2 | 8 | 10 | 12 | 26 | 21 | 23.1 | 24.3 | 5 | 1 |
| AG20-15B | AG20-15S | M20×1.5 | Φ20.2 | 11 | 15 | 13 | 27 | 27 | 29.7 | 29 | 6 | 1 |
| AG25-16B | AG25-16S | M25×1.5 | Φ25.2 | 12.5 | 16 | 13 | 34 | 34 | 37.4 | 36 | 6.7 | 1 |
| AG25-20B | AG25-20S | M25×1.5 | Φ25.2 | 16 | 20 | 13 | 34 | 34 | 37.4 | 36 | 6.7 | 1 |
| AG32-25.5B | AG32-25.5S | M32×1.5 | Φ32.3 | 21 | 25.5 | 15 | 36 | 41 | 45.6 | 46 | 8 | 1 |
| AG40-28.5B | AG40-28.5S | M40×1.5 | Φ40.3 | 24 | 28.5 | 15 | 41 | 50 | 55.4 | 53.5 | 9 | 1 |
| AG40-33B | AG40-33S | M40×1.5 | Φ40.3 | 28.5 | 33 | 15 | 41 | 50 | 55.4 | 53.5 | 9 | 1 |
| AG50-37B | AG50-37S | M50×1.5 | Φ50.4 | 33 | 37 | 16 | 45 | 60 | 65.5 | 66 | 9.6 | 1 |
| AG50-42B | AG50-42S | M50×1.5 | Φ50.4 | 37 | 42 | 16 | 45 | 60 | 65.5 | 66 | 9.6 | 1 |

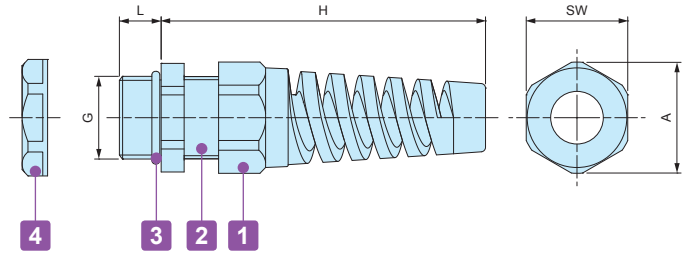
RSP SERIES

STRAIN RELIEF CABLE GLAND



■ DXF/DWG/PDF drawings available on our website.

RSP dimensions



Components

■ PA = Polyamide

| No. | Part name | Material |
|-----|-------------------|----------------|
| 1 | Strain relief cap | PA66 (UL94V-2) |
| - | Sealing insert | NBR |
| 2 | Connector | PA66 (UL94V-2) |
| 3 | O-ring | NBR |
| 4 | Lock- nut | PA66 (UL94V-2) |

| Technical Data |
|--|
| Protection class : IP67 Temperature range -20°C ~ +80°C |

Product no. / Dimensions

| Product no. | | G | | Cable range | | L | H Max | SW | A | Pack of |
|-------------|--------------|-------------|---------------|-------------|-----|----|-------|------|----|---------|
| ● Black | ● Light gray | Thread size | Mounting hole | Min | Max | | | | | |
| RSP12-6B | RSP12-6S | M12×1.5 | φ12.2 | 3.5 | 6 | 9 | 62 | 16 | 17 | 1 |
| RSP16-8B | RSP16-8S | M16×1.5 | φ16.2 | 4 | 8 | 9 | 69 | 19.5 | 21 | 1 |
| RSP20-11B | RSP20-11S | M20×1.5 | φ20.2 | 6 | 11 | 10 | 82 | 24 | 26 | 1 |
| RSP25-16B | RSP25-16S | M25×1.5 | φ25.2 | 11 | 16 | 12 | 102 | 33 | 36 | 1 |

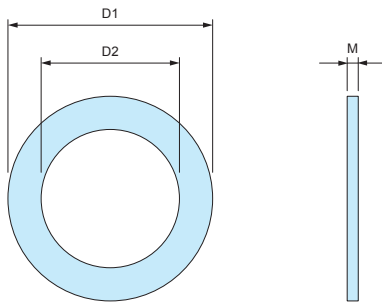
AGP SERIES

SEALING WASHER for AG • AGSP

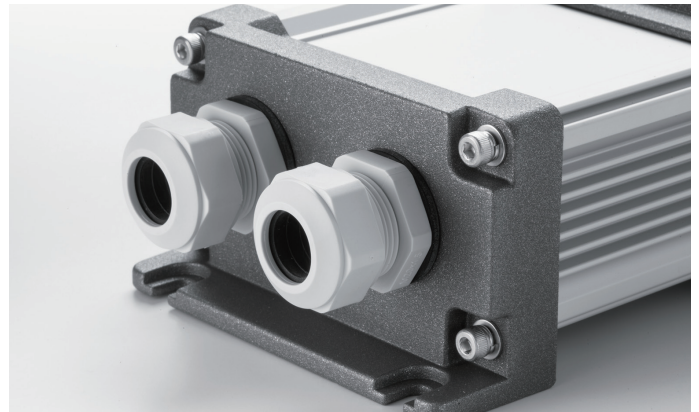


- Sealing washer for AG • AGSP series.
- Made from oil resistant NBR material.
- Use in the case of installation on a rough or uneven surfaces.
- Selectable in 7 sizes (from M12 to M50)
- Sealing washer is not necessary for installation on flat surfaces.

AGP Dimensions



■ Material : NBR



Product no. / Dimensions

| Product no. | D1 | D2 | M | Suitable cable gland | Pack of |
|-------------|------|------|-----|----------------------|---------|
| AGP-12 | 20 | 12 | 1.6 | AG12 / AGSP12-6.5 | 10 |
| AGP-16 | 23.5 | 16.5 | 2.0 | AG16 / AGSP16-8 | 10 |
| AGP-20 | 29 | 20 | 2.0 | AG20 / AGSP20-12 | 10 |
| AGP-25 | 37 | 25 | 2.0 | AG25 | 10 |
| AGP-32 | 44 | 32 | 2.2 | AG32 | 5 |
| AGP-40 | 52 | 40 | 2.2 | AG40 | 5 |
| AGP-50 | 64 | 50 | 3.1 | AG50 | 5 |