

BCM SERIES

BLIND PLUG for BCAS • BCAL



- Blind plug for BCAS • BCAL when installing hinges and latches.
Not usable when using cover screws.

Components

Part name	Material	Color
Blind plug	ABS	White gray

Product no. / Suitable box

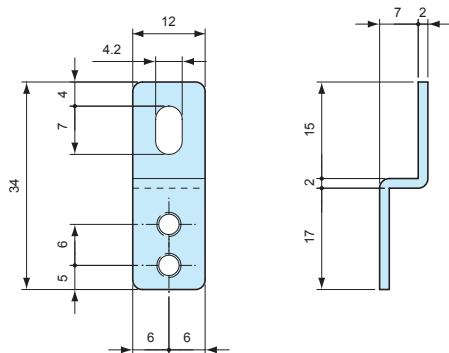
Product no.	Suitable box	Pack of
BCM-1	BCAS series (Not available for BCAS050604, 050605 models)	1
BCM-2	BCAL series	1

CK SERIES

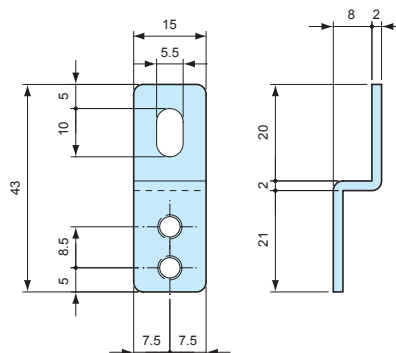
STAINLESS STEEL MOUNT BRACKET



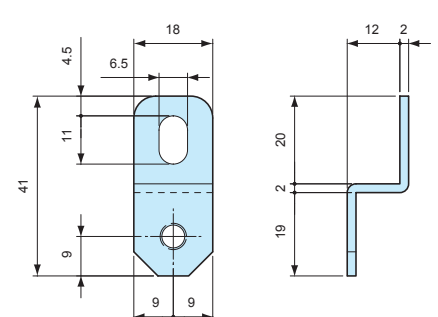
CK-34Z dimensions



CK-35P dimensions



CK-26P dimensions



- CK-34Z model requires the use of MT4-10 screw.

Product no. / Suitable box

Product no.	Material	Finish	Suitable box	Included screw	Pack of
CK-34Z	Stainless steel SUS304	Barrel finish	BCAS series (Not applicable for BCAS050604, 050605 models)	-	4
CK-35P	Stainless steel SUS304	Barrel finish	BCAS050604G, BCAS050605G	Pan head tapping M4-10	4
CK-26P	Stainless steel SUS304	Barrel finish	BCAL series	Pan head M5-10	4

MT4-10

MOUNTING SCREW

- Use together with CK-34Z.

Product no. / Feature

Product no.	Material	Finish	Pack of
MT4-10 (Pan head M4-10)	Stainless steel	Unfinished	4