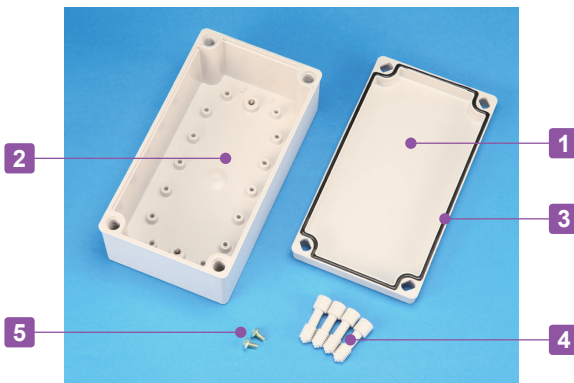
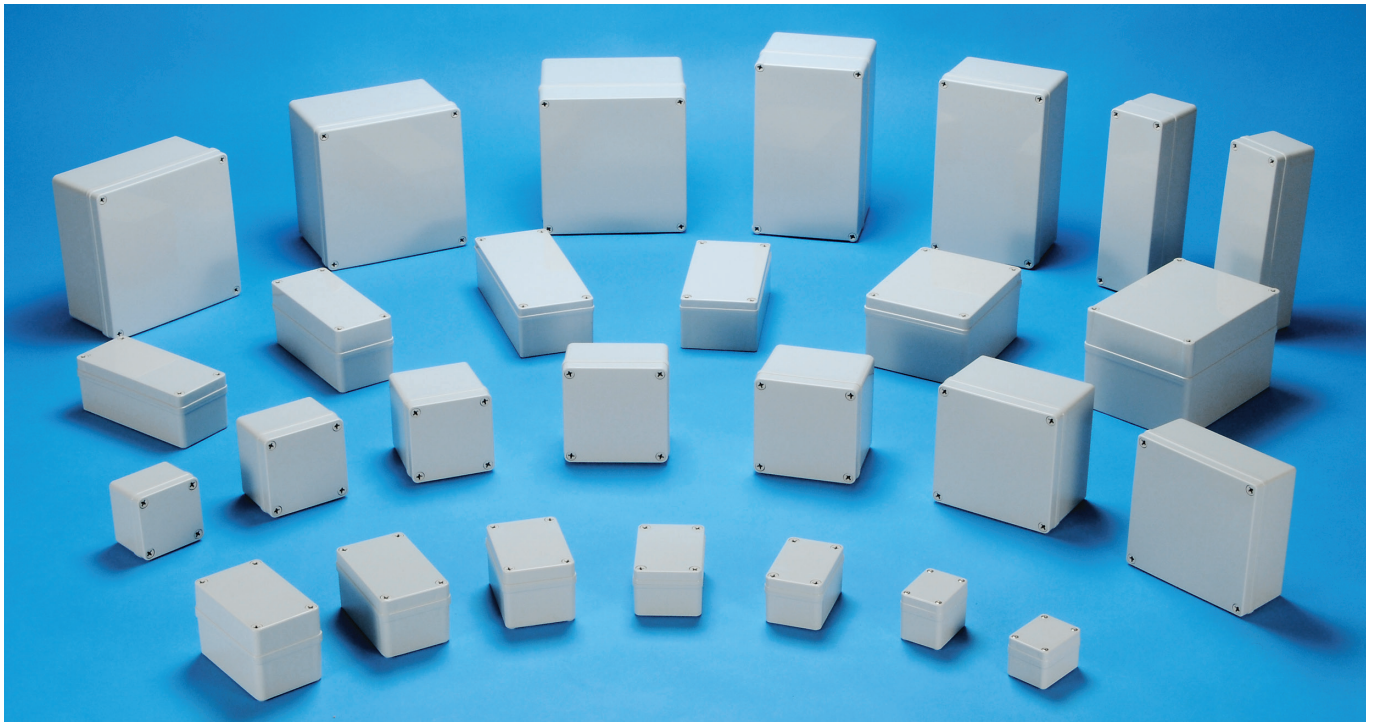


BCAS SERIES

IP65 PLASTIC PULL BOX



Technical Data

Protection class: IP65
 Operating temperature: -10°C ~ +60°C
 Recommended torque:
 1N · m ~ 1.5N · m
 (1N · m for BCAS050604G, BCAS050605G)

- Small-sized frontal screw fastening type waterproof box.
- Available in 39 different sizes.
- Applicable for various uses as wiring pull box, terminal junction box, switch box and so on.

Components

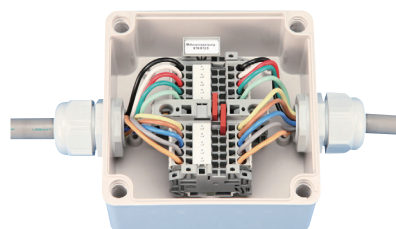
No.	Part name	Pcs	Material	Color / Finish
1	Top cover	1	ABS UL94HB	White gray
2	Body	1	ABS UL94HB	White gray
3	Gasket	1	Polyurethane	Black
4	Cover screw	4	Nylon · Stainless steel (BCAS050604G and BCAS050605G only)	White gray · Unfinished
5	Tapping screw (for mounting plate)	2 ~ 4	Steel	Trivalent chromate

APPLICATION EXAMPLE

SWITCH BOX



TERMINAL JUNCTION BOX



AIR PIPE CONTROLLER



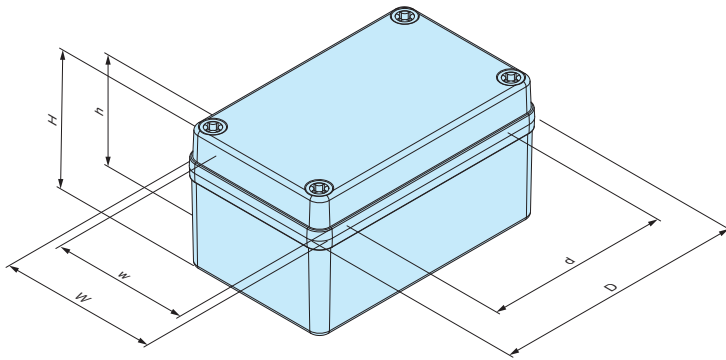
METEOROLOGICAL MONITOR TRANSMITTER



Product by Midori Engineering Laboratory (Japan)

BCAS dimensions

■ Drawings below are reference examples only.
DXF/DWG/PDF drawings available on our website.



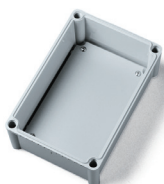
◎ : Guide markings for installation of optional latch/hinge parts.



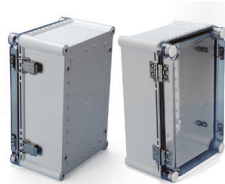
Product no. / Dimensions

Product no.	Dimensions (External)			Dimensions (Internal)			Weight (g)
	W	D	H	w	d	h	
BCAS050604G	50	65	45	43.5	41	33	69
BCAS050605G	50	65	55	43.5	41	43	76
BCAS060905G	65	95	55	55.5	59	41.5	124
BCAS071005G	75	105	55	66	69	41.3	148
BCAS080806G	80	80	60	70.5	44	46.4	133
BCAS081104G	80	110	45	71	74	32.2	138
BCAS081107G	80	110	70	69.5	73.5	57	165
BCAS081108G	80	110	85	70	75	71.8	191
BCAS081110G	80	110	100	70	75	86.2	227
BCAS081307G	80.5	130	70	70.5	94	56.5	188
BCAS081308G	80	130	85	70.5	94	71.5	222
BCAS081807G	80	180	70	70.5	143.5	57	233
BCAS081808G	80	180	85	70.5	143.5	71.5	275
BCAS082507G	80	250	70	70	213.5	56.5	294
BCAS082508G	80	250	85	70	213.5	71.5	348
BCAS101007G	101.5	101.5	75	91	64	61.5	212
BCAS101010G	101.5	101.5	100	90	64	86.5	253
BCAS101807G	100	185	70	90	148.5	56.7	298
BCAS102007G	100	200	70	90.5	163.5	56.5	282
BCAS102307G	100	230	70	90.5	193.5	56.4	336
BCAS121207G	125	125	75	114	88.5	62	252
BCAS121210G	125	125	100	114	87.5	87	311
BCAS141709G	143	173	95	133	134	82	416
BCAS142309G	140	230	95	129	193	81.5	485
BCAS151507G	150	150	75	140	114	61.5	322
BCAS151510G	150	150	100	139	114	86.5	398
BCAS152004G	150	200	46	140	164	32.4	335
BCAS152007G	150	200	75.5	138	164	61.5	423
BCAS152010G	150	200	100.5	139	161.5	86.5	473
BCAS152013G	150	200	130.5	139.5	161	116.5	582
BCAS152016G	150	200	160	139	163	146.5	631
BCAS152510G	150	250	100	139.5	214	86.4	565
BCAS152513G	150	250	130	139.5	214	116.4	687
BCAS161607G	160	160	70	150	123.5	56.5	334
BCAS202010G	200	200	100	189	164.5	86	604
BCAS202013G	200	200	130	189	164.5	117	685
BCAS202016G	201	201	161	187.5	164.5	147	801
BCAS202019G	201	201	190	187.5	164.5	176.3	907.5
BCAS212310G	210	230	100.3	198.8	194.2	87.1	644.5

Accessories (Optional parts)



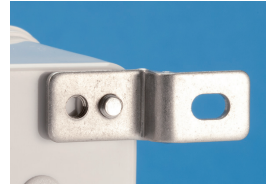
Mounting plate BMP series
See page BCAS-3 ~ BCAS-4



Latch • Hinge BCL55 • BCH55
See page BCAS • BCAL-ACC-1



Spare cover screw CB series
See page BCAS • BCAL-ACC-3



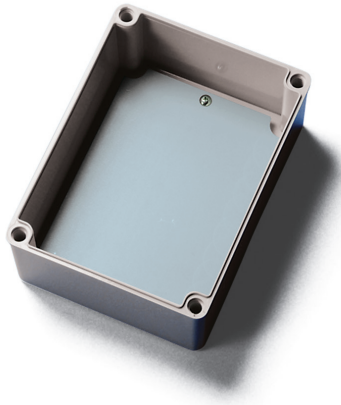
Mounting bracket CK series
See page BCAS • BCAL-ACC-2



Cable gland
See cable gland pages

BMP-Z SERIES

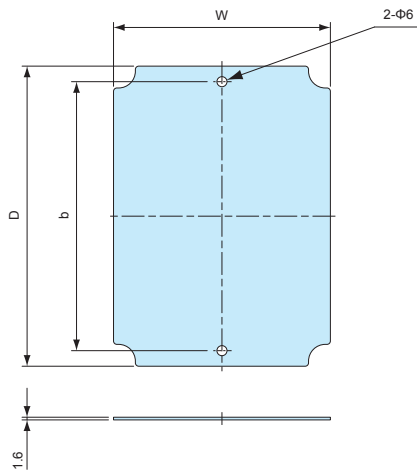
STEEL MOUNTING PLATE



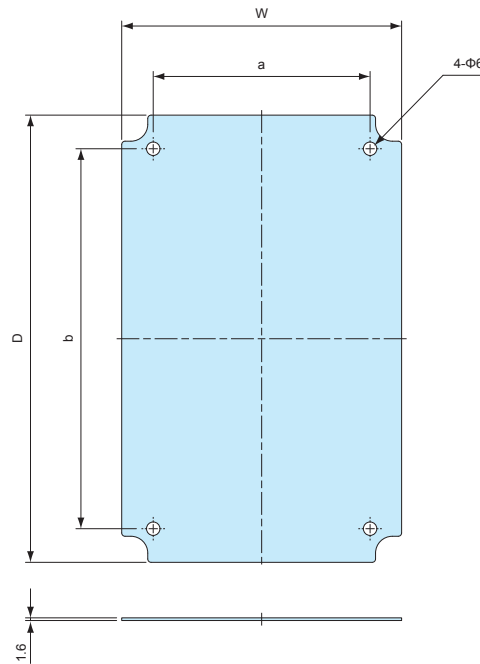
■ Strong but easily customizable.

■ Drawings below are reference examples only.
DXF/DWG/PDF drawings available on our website.

BMP0506Z ~ 1525Z



BMP2020Z, 2123Z



Components

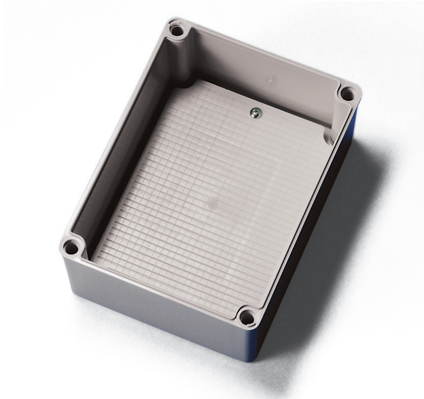
Part name	Material	Color / Finish
Mounting plate	Steel t=1.6	Zinc coated

Product no. / Dimensions

Product no.	W	D	a	b	Suitable box	Weight (g)
BMP0506Z	41	56	-	40	BCAS050604, 050605	23
BMP0609Z	52	82	-	65	BCAS060905	41
BMP0710Z	62	92	-	75	BCAS071005	63
BMP0808Z	67	67	-	50	BCAS080806	47
BMP0811Z	68	98	-	80	BCAS081104, 081107, 081108, 081110	72
BMP0813Z	68	118	-	99	BCAS081307, 081308	87
BMP0818Z	69	169	-	150	BCAS081807, 081808	134
BMP0825Z	69	239	-	220	BCAS082507, 082508	193
BMP1010Z	86	86	-	60	BCAS101007, 101010	80
BMP1018Z	89	173	-	139	BCAS101807	177
BMP1121Z	77	177	-	158	BCAS102007	159
BMP1023Z	88	218	-	184	BCAS102307	226
BMP1212Z	114	114	-	70	BCAS121207, 121210	151
BMP1417Z	132	162	-	130	BCAS141709	251
BMP1423Z	123	213	-	190	BCAS142309	305
BMP1515Z	121	121	-	110	BCAS151507, 151510	172
BMP1616Z	142	142	-	120	BCAS161607	237
BMP1520Z	126	176	-	160	BCAS152004, 152007, 152010, 152013, 152016	262
BMP1525Z	127	227	-	210	BCAS152510, 152513	346
BMP2020Z	176	176	120	150	BCAS202010, 202013, 202016, 202019	371
BMP2123Z	183	203	160	180	BCAS212310	447

BMP-P SERIES

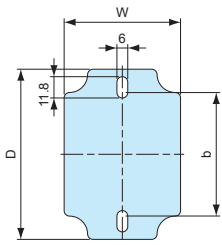
PLASTIC MOUNTING PLATE



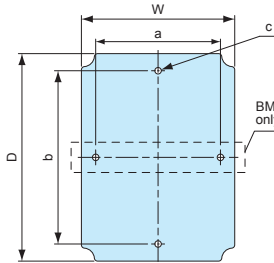
- Lightweight ABS plastic mounting plate.
- Not available for BCAS050604, 050605, 060905, 071005, 080806, 101807, 102307, and 212310 models.

■ Drawings below are reference examples only.
DXF/DWG/PDF drawings available on our website.

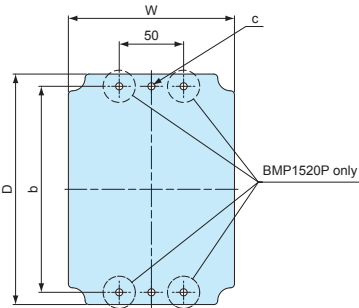
BMP0811P



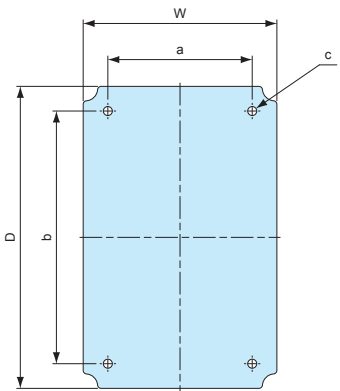
BMP0813P ~ 1616P



BMP0825P, 1423P, 1520P, 1525P



BMP2020P



Components

Part name	Material	Color / Finish
Mounting plate	ABS	White gray

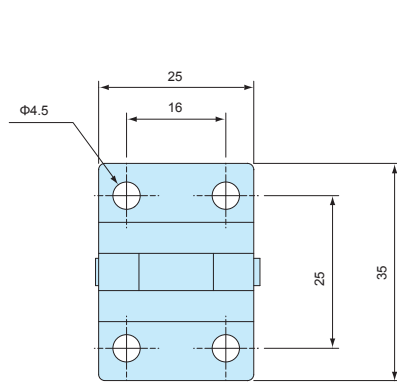
Product no. / Dimensions

Product no.	W	D	a	b	c(Φ)	Thickness	Suitable box	Weight (g)
BMP0811P	64.5	94.3	-	68.4	-	3.5	BCAS081104, 081107, 081108, 081110	21
BMP0813P	64.5	114.5	-	99	Φ6	3.5	BCAS081307, 081308	24
BMP0818P	64.5	164	-	148.5	Φ6	3.5	BCAS081807, 081808	37
BMP0825P	64.2	234.5	-	219.5	Φ6	3.5	BCAS082507, 082508	59
BMP1010P	81.5	81.2	-	60	Φ6	3.5	BCAS101007, 101010	22
BMP1121P	76.5	175.8	-	157.8	Φ6	3	BCAS102007	40
BMP1212P	107	107	-	70	Φ5.5	3.5	BCAS121207, 121210	39
BMP1417P	125.5	155.5	-	130	Φ6	3.5	BCAS141709	69
BMP1423P	122.6	212.5	-	190	Φ5.5	3.7	BCAS142309	103.5
BMP1515P	123	123	110	110	Φ6	3.5	BCAS151507, 151510	52
BMP1616P	143.5	143.5	-	120	Φ6	3.2	BCAS161607	66
BMP1520P	129	179	-	160	Φ5.5	3.5	BCAS152004, 152007, 152010, 152013, 152016	92
BMP1525P	129	228.5	-	210	Φ6	3.5	BCAS152510, 152513	112
BMP2020P	178.5	178.5	120	150	Φ5.5	3.5	BCAS202010, 202013, 202016, 202019	125

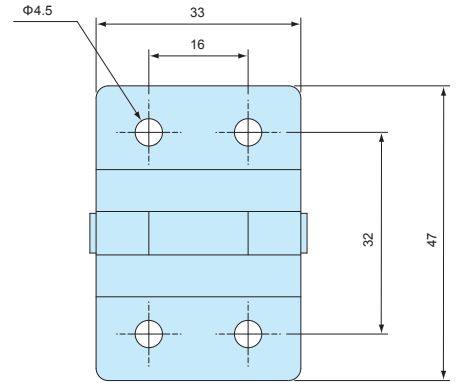
BCH SERIES

HINGE for BCAS • BCAL

■ Refer to ☉ guide markings on BCAS • BCAL box when installing.



BCH55



BCH65

Components

Part name	Pcs	Material	Color / Finish
Hinge	1	Stainless steel SUS304	Unfinished
Bracket	2	Stainless steel SUS304	Unfinished
Gasket	2	EPDM	Black

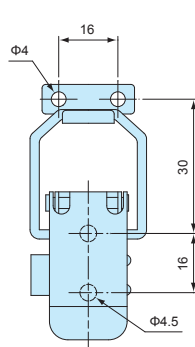
Product no. / Suitable box

Product no.	Suitable box	Included screw
BCH55	BCAS series Not available for BCAS050604, 050605, 060905, 071005, 080806, 081104, 101807, 102007, 102307, 152004, and 161607 models.	Truss head M4-10
BCH65	BCAL series	Truss head M4-10

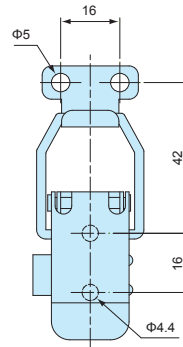
BCL SERIES

LATCH for BCAS • BCAL

■ Refer to ☉ guide markings on BCAS • BCAL box when installing.



BCL55



BCL65

Components

Part name	Pcs	Material	Color / Finish
Latch	1	Stainless steel SUS304	Unfinished
Hook	1	Stainless steel SUS304	Unfinished
Bracket	2	Stainless steel SUS304	Unfinished
Gasket	2	EPDM	Black

Product no. / Suitable box

Product no.	Suitable box	Included screw
BCL55	BCAS series Not available for BCAS050604, 050605, 060905, 071005, 080806, 081104, 101807, 102007, 102307, 152004, and 161607 models.	Truss head M4-10
BCL65	BCAL series	Truss head M4-10

BCM SERIES

BLIND PLUG for BCAS • BCAL



- Blind plug for BCAS • BCAL when installing hinges and latches.
Not usable when using cover screws.

Components

Part name	Material	Color
Blind plug	ABS	White gray

Product no. / Suitable box

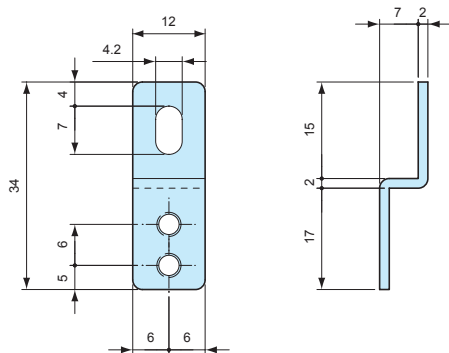
Product no.	Suitable box	Pack of
BCM-1	BCAS series (Not available for BCAS050604, 050605 models)	1
BCM-2	BCAL series	1

CK SERIES

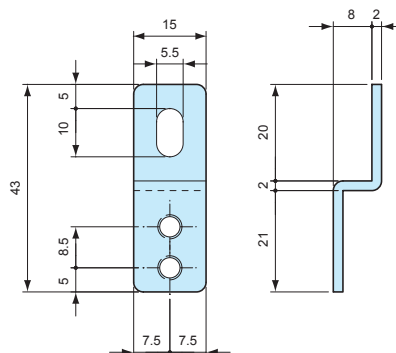
STAINLESS STEEL MOUNT BRACKET



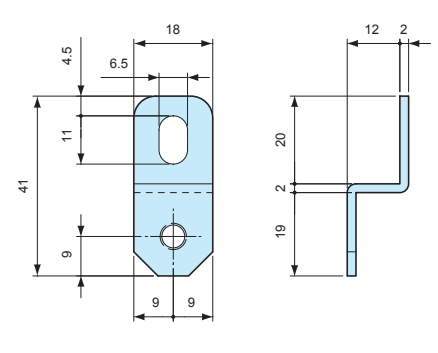
CK-34Z dimensions



CK-35P dimensions



CK-26P dimensions



- CK-34Z model requires the use of MT4-10 screw.

Product no. / Suitable box

Product no.	Material	Finish	Suitable box	Included screw	Pack of
CK-34Z	Stainless steel SUS304	Barrel finish	BCAS series (Not applicable for BCAS050604, 050605 models)	-	4
CK-35P	Stainless steel SUS304	Barrel finish	BCAS050604G, BCAS050605G	Pan head tapping M4-10	4
CK-26P	Stainless steel SUS304	Barrel finish	BCAL series	Pan head M5-10	4

MT4-10

MOUNTING SCREW

- Use together with CK-34Z.

Product no. / Feature

Product no.	Material	Finish	Pack of
MT4-10 (Pan head M4-10)	Stainless steel	Unfinished	4

MT SERIES

PCB MOUNTING SCREW



■ Mounting screw for the bosses without insert-nut.

Product no. / Feature

Product no.	Material	Finish	Pack of
MT4-8T (Binding head tapping M4-8)	Steel	Trivalent chromate	20
MT5-8T (Binding head tapping M5-8)	Steel	Trivalent chromate	20

Suitable box chart

Product no.	Suitable box	Tightening torque
MT4-8T	BCAS071005, 081104, 081107, 081108, 081110, 081307, 081308, 081807, 081808, 082507, 082508, 101007, 101010, 101807, 102007, 102307, 121207, 121210, 141709, 142309, 151507, 151510, 152004, 152007, 152010, 152013, 152016, 152510, 152513, 161607, 202010, 202013, 202016, 202019, and 212310 models.	0.7N • m
MT5-8T	BCAL series	1.4N • m

CB SERIES

SPARE COVER SCREW for BCAS



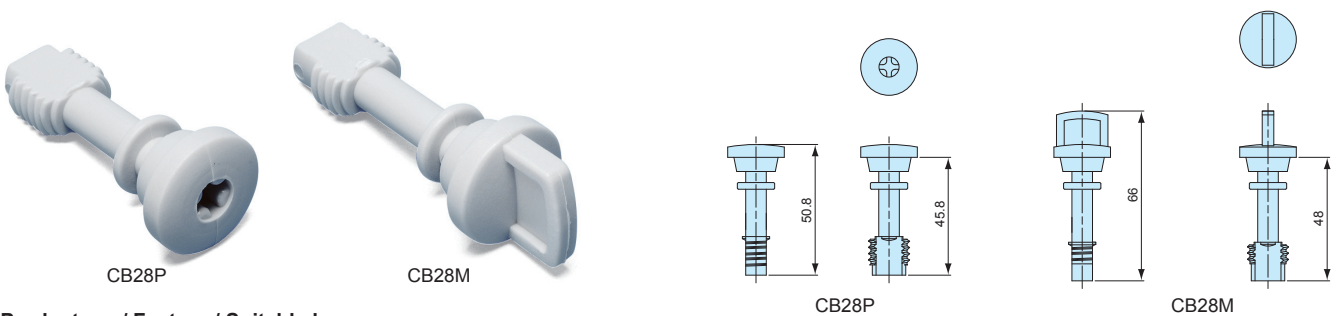
Product no. / Feature / Suitable box

Product no.	Material	Color	Pack of
CB20	Fiberglass • Nylon	White gray	1
CB35	Fiberglass • Nylon	White gray	1
CB50	Fiberglass • Nylon	White gray	1

Product no.	Suitable box
CB20	BCAS060905, 071005, 080806, 081104, 081107, 081108, 081307, 081807, 082507, 101007, 101010, 101807, 102007, 102307, 121207, 121210, 141709, 142309, 151507, 151510, 152004, 152007, 152010, 152013, 152510, 161607, 202010, 202013, 202016, and 212310 models TMB-15PS, 20P, 20PL
CB35	BCAS081110, 081308, 081808, and 082508 models
CB50	BCAS152016, 152513, and 202019 models

CB SERIES

SPARE COVER SCREW for BCAL



Product no. / Feature / Suitable box

Product no.	Material	Color	Suitable box	Pack of
CB28P	Fiberglass • Nylon	White gray	BCAL series	1
CB28M	Fiberglass • Nylon	White gray	BCAL series	1

SSK SERIES

POLE MOUNTING BRACKET

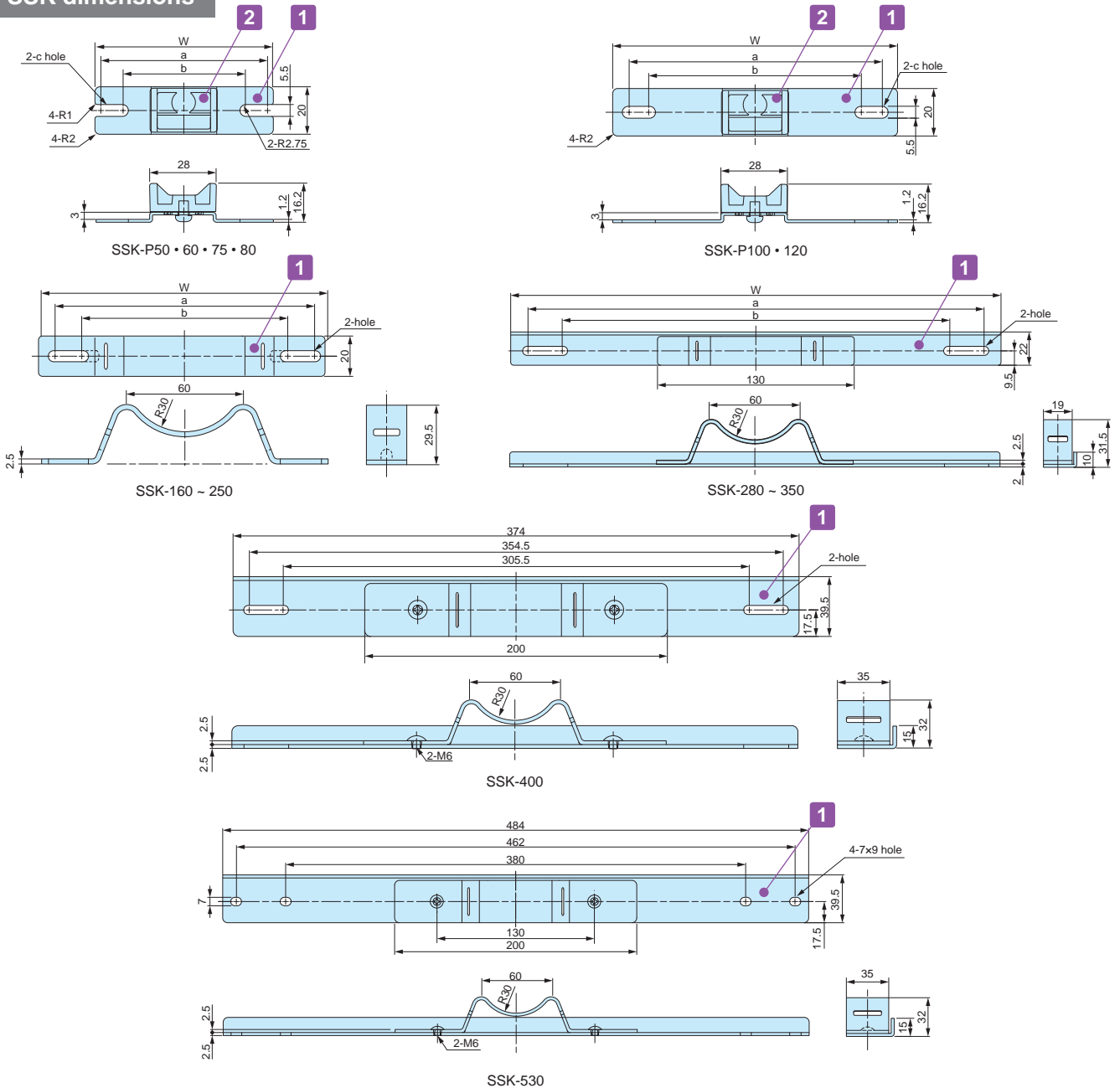


- Stainless steel pole mounting bracket for SPCM • SPCP and BCAL • BCAS series.
- Easy pole mount with the use of SSK-B mounting screw and PKB mounting belt.
- DXF/DWG/PDF drawings available on our website.
- SSK-P models includes plastic mounting brackets.



PKB series

SSK dimensions



SSK-1

Components

No.	Part name	Pcs	Material	Color / Finish
1	Bracket	2	Stainless steel SUS304	Barrel finish
2	Plastic bracket (SSK-P models only)	2	ASA UL94HB	White gray

■ Screws included with SSK brackets are for BCAP • BCAR • BCPK • BCPR series use only. For other series, please utilize SSK-B screw set.

Product no. / Dimensions

Product no.	W	a	b	c	Suitable mounting belt	Pack of
SSK-P50	50	44.5	37.5	5.5x 9	PKB-10PM, 10P PKB-10S	2
SSK-P60	60	54.5	47.5	5.5x 9	PKB-10PM, 10P PKB-10S	2
SSK-P75	75	69.5	55.5	5.5x12.5	PKB-10PM, 10P PKB-10S	2
SSK-P80	80	74.5	64.5	5.5x10.5	PKB-10PM, 10P PKB-10S	2
SSK-P100	100	88.1	76.5	5.5x11.3	PKB-10PM, 10P PKB-10S	2
SSK-P120	120	106.5	88.5	5.5x14.5	PKB-10PM, 10P PKB-10S	2
SSK-160	142	129.5	106.5	-	PKB-10PM, 10P PKB-10S	2
SSK-170	152	142.3	101	-	PKB-10PM, 10P PKB-10S	2
SSK-200	174	161.5	112.5	-	PKB-10PM, 10P PKB-10S	2
SSK-210	192	180.5	131.5	-	PKB-10PM, 10P PKB-10S	2
SSK-250	230	215.5	166.5	-	PKB-10PM, 10P PKB-10S	2
SSK-280	260	244.5	195.5	-	PKB-10PM, 10P PKB-10S	2
SSK-300	280	264.5	215.5	-	PKB-10PM, 10P PKB-10S	2
SSK-350	324	302.5	253.5	-	PKB-10PM, 10P PKB-10S	2
SSK-400	374	354.5	305.5	-	PKB-20S	2
SSK-530	484	462	380	7x9	PKB-20S	2

SSK-B SERIES

MOUNTING SCREW SET for SSK



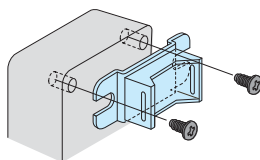
- Mounting screw set for use with SSK pole mounting bracket.
- See chart on page SSK-3 for appropriate bracket/screw/box combination.
- Material / Finish : Stainless steel / Unfinished.

Product no. / Dimensions

Product no.	Included screws	Suitable box	Pcs
SSK-B4-15N	M4-15 Pan head with nut	BCAS060905 ~ 212310	4
SSK-B4-25N	M4-25 Pan head with nut	SPCP • SPCM series	4
SSK-B5-10	M5-10 Pan head	BCAL series	4

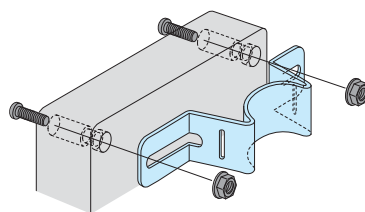
■ Installation Example

BCAS050604, 050605



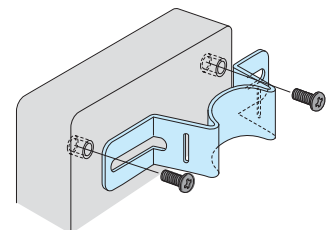
Use screws included with SSK-P

M4 / M5 Pan head with nut fastening



SSK-B4-15N SSK-B4-25N

Pan head screw into insert nut



SSK-B5-10

POLE MOUNTING BRACKET / SCREW SET MATCHING CHART

SPCM • SPCP series

	Box Product no.	SSK Product no.		Screw set Product no.
		Vertical mount	Horizontal mount	
SPCP SPCM	081304, 081305 081306, 081308 081310, 081313	SSK-P75	SSK-160	SSK-B4-25N
	101004, 101006	SSK-P100	SSK-P100	SSK-B4-25N
	131304, 131305 131306, 131308 131310, 131313	SSK-160	SSK-160	SSK-B4-25N
	131804, 131805 131806, 131808 131810, 131813, 131815	SSK-160	SSK-200	SSK-B4-25N
	181808, 181810 181813, 181815	SSK-200	SSK-200	SSK-B4-25N
	182508, 182510, 182515	SSK-200	SSK-280	SSK-B4-25N

BCAL series

	Box Product no.	SSK Product no.		Screw set Product no.
		Vertical mount	Horizontal mount	
BCAL	191913 ※	SSK-P120	SSK-200	SSK-B5-10
	192813, 192818	SSK-200	SSK-250	SSK-B5-10
	193813, 193818	SSK-200	SSK-350	SSK-B5-10
	282813	SSK-250	SSK-280	SSK-B5-10
	283413	SSK-280	SSK-280	SSK-B5-10
	283813, 283818	SSK-280	SSK-350	SSK-B5-10
	285613	SSK-280	SSK-530	SSK-B5-10
	385618	SSK-400	SSK-530	SSK-B5-10

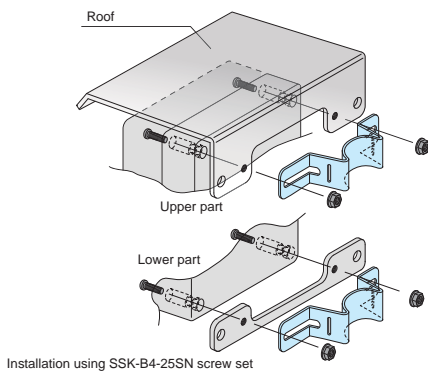
※Use screws included with SSK bracket for vertical mount

BCAS series

	Box Product no.	SSK Product no.		Screw set Product no.
		Vertical mount	Horizontal mount	
BCAS	050604, 050605	SSK-P50	SSK-P60	Use screws included with SSK bracket
	060905	SSK-P60	SSK-P100	SSK-B4-15N
	071005 ※	SSK-P75	SSK-P100	SSK-B4-15N
	080806	SSK-P75	SSK-P75	SSK-B4-15N
	081104, 081107 081108, 081110	SSK-P75	SSK-P120	SSK-B4-15N
	081307, 081308	SSK-P75	SSK-160	SSK-B4-15N
	081807, 081808	SSK-P75	SSK-210	SSK-B4-15N
	082507, 082508	SSK-P75	SSK-280	SSK-B4-15N
	101007, 101010	SSK-P100	SSK-P100	SSK-B4-15N
	101807	SSK-P100	SSK-210	SSK-B4-15N
	102007	SSK-P100	SSK-250	SSK-B4-15N
	102307	SSK-P100	SSK-250	SSK-B4-15N
	121207, 121210	SSK-P120	SSK-200	SSK-B4-15N
	141709	SSK-160	SSK-200	SSK-B4-15N
	142309	SSK-160	SSK-250	SSK-B4-15N
	151507, 151510	SSK-170	SSK-170	SSK-B4-15N
	152004, 152007 152020, 152013, 152016	SSK-170	SSK-250	SSK-B4-15N
	152510, 152513	SSK-170	SSK-280	SSK-B4-15N
	161607	SSK-170	SSK-170	SSK-B4-15N
	202010, 202013 202016, 202019	SSK-250	SSK-250	SSK-B4-15N
	212310	SSK-250	SSK-250	SSK-B4-15N

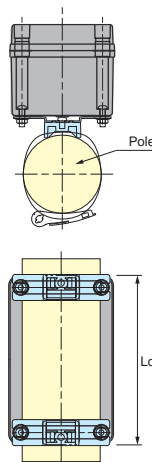
※Use screws included with SSK bracket for vertical mount

- For installation of SR series outdoor roof on SPCM • SPCP series SR series (For SPCM • SPCP - see page SPCM • SPCM-ACC-2)

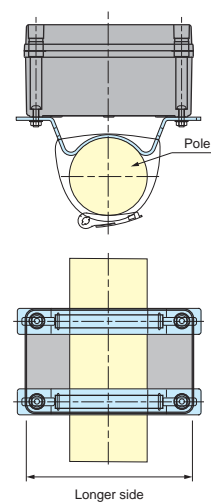


- Select SSK bracket depending on mounting type (Vertical or Horizontal).

Vertical mount
(Longer vertical side)



Horizontal mount
(Longer horizontal side)



WPMB-M4-3 SERIES

POLE MOUNTING BRACKET



- Pole mount bracket made from weather resistant ASA material.
- Suitable for both for vertical and horizontal mounting.
- Hole milling is required for bracket installation.
- IPX7 protection can be maintained through the use of sealing washers.
- Pole mount is possible with the use of PKB series mounting belt.

Components

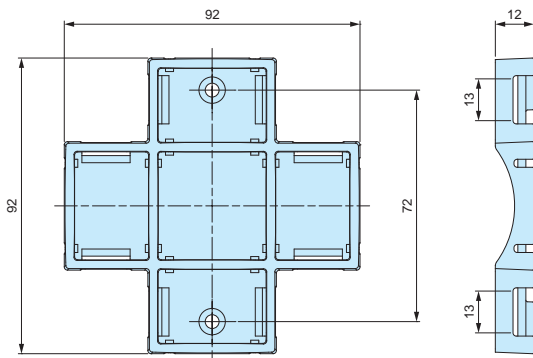
No.	Part name	Pcs	Material	Color / Finish
1	Bracket	1	ASA UL94HB	White gray • Dark gray
2	Sealing washer	2	NBR, SPCC	Black
3	Screw (M4-10 Pan head)	2	Stainless steel	Unfinished
4	Hexagonal nut (M4 x 3 types)	2	Stainless steel	Unfinished

Product no. / Dimensions

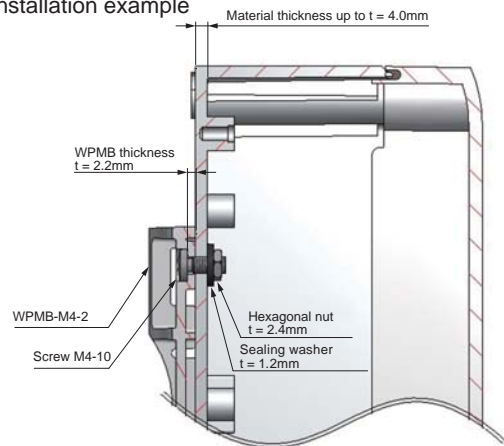
Product no.		Material thickness	Tightening torque	Tensile strength	Weight (g)
• White gray	• Dark gray				
WPMB-M4-3G	WPMB-M4-3D	Up to t = 4.0mm	0.45N • m	5 kg	26.5

■ Listed tightening torque values are for reference only. Actual required torque may differ.

■ DXF/DWG/PDF drawings available on our website.



Installation example



PKB SERIES

POLE MOUNTING BELT



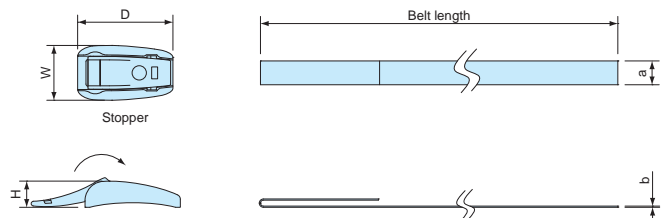
PKB-10PM, 10P



PKB-10S, 20S

- New shorter belt type PKB-10PM is available for $\Phi 25$ to $\Phi 60$ mm poles. Other belt types are for $\Phi 60$ to $\Phi 400$ mm poles.
- Designed for one time use only (not reusable).
- Strong stainless steel clamping type and easy installation plastic type are available.
- Use SSK • WPMB mounting bracket for installation onto a pole.

■ Drawings below are reference examples only. DXF/DWG/PDF drawings available on our website.



Components

Part name	Pcs	Material	Color / Finish
Stopper	2	POM • Stainless steel SUS304	Black • Barrel finish
Belt	2	PET • Stainless steel SUS430	Gray • Bright Annealed finish

Product no. / Dimensions

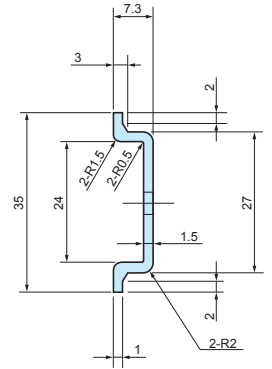
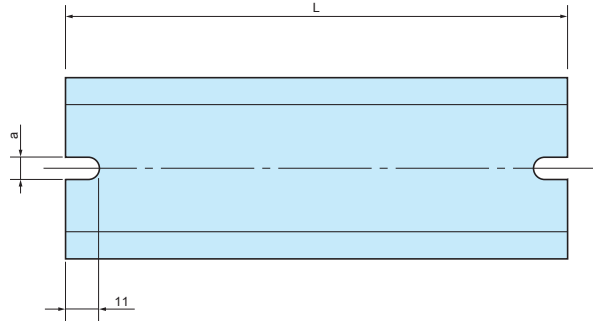
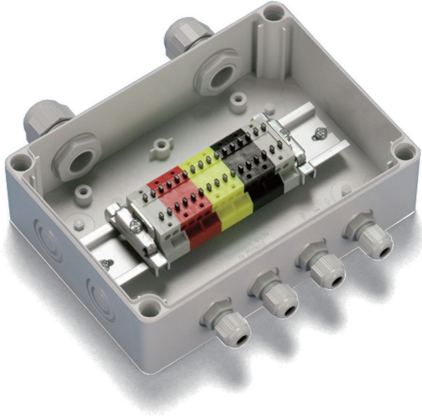
Product no.	W	D	H	a	b	Belt material	Belt length	Tensile strength (horizontal)	Weight (g)	Pack of
NEW PKB-10PM	24	23	11	10	0.5	PET	500mm	0.8kN	14	2
PKB-10P	23	40	11	10	0.5	PET	1,500mm	1.3kN	31.8	2
PKB-10S	(16.5)	(49.5)	12	10	0.3	Stainless steel	1,500mm	1.4kN	101.6	2
PKB-20S	(27.4)	(49.5)	12	20	0.3	Stainless steel	1,500mm	2.9kN	182.2	2

FDR SERIES

DIN-RAIL



- DIN rail for installation of terminals, relays or switches inside enclosures.
- Available in different models and lengths to fit a wide variety of mounting boss pitch.
- FDR-1000 is available if customized length is required.



Feature

Material	Finish
Extruded Aluminium A6063S-T5	Silver anodized

Product no. / Dimensions

Product no.	L	a	Matching boss pitch
FDR- 50	50	4.2	32 ~ 42
57	57	4.2	39 ~ 49
66	66	4.2	48 ~ 58
77	77	4.2	59 ~ 69
80	80	4.2	62 ~ 72
87	87	4.2	69 ~ 79
92	92	4.2	74 ~ 84
100	100	4.2	82 ~ 92
106	106	4.2	88 ~ 98
110	110	4.2	92 ~ 102
120	120	4.2	102 ~ 112
128	128	4.2	110 ~ 120
137	137	4.2	119 ~ 129
142	142	4.2	124 ~ 134
146	146	4.2	128 ~ 138
150	150	4.2	132 ~ 142
168	168	4.2	150 ~ 160
170	170	4.2	152 ~ 162
186	186	4.2	168 ~ 178
202	202	4.2	184 ~ 194
205	205	4.2	187 ~ 197
223	223	4.2	205 ~ 215
226	226	4.2	208 ~ 218
235	235	4.2	217 ~ 227
242	242	4.2	224 ~ 234
249	249	4.2	231 ~ 241
283	283	4.2	265 ~ 275
300	300	4.2	282 ~ 292
350	350	4.2	332 ~ 342
450	450	4.2	432 ~ 442
550	550	4.2	532 ~ 542

Product no.	L	a	Matching boss pitch
FDR-B102	102	6.5	86 ~ 92
NEW B124	124	6.5	108 ~ 114
B142	142	6.5	126 ~ 132
B160	160	6.5	144 ~ 150
B165	165	6.5	149 ~ 155
B176	176	6.5	160 ~ 166
B183	183	6.5	167 ~ 173
B223	223	6.5	207 ~ 213
B260	260	6.5	244 ~ 250
B283	283	6.5	267 ~ 273
B303	303	6.5	287 ~ 293
B338	338	6.5	322 ~ 328
B360	360	6.5	344 ~ 350
B376	376	6.5	360 ~ 366
B383	383	6.5	367 ~ 373
B463	463	6.5	447 ~ 453
B560	560	6.5	544 ~ 550
B623	623	6.5	607 ~ 613
FDR-1000	1000	—	—

■ FDR-1000 does not have mounting holes.

Matching DIN-Rail Chart

BC□□ series

Product no.	Matching DIN-Rail
091207	FDR - 80
091208	80
101507	110
101508	110
112107	170
112110	170
112607	223
112610	223
BCAP	
BCPC	
BCPK	
BCAR	
BCPR	
131508	120
131808	150
131810	150
151509	120
151512	120
162110	170
162113	170
162610	223
162613	223
172211	170
172711	223

BDN series

Product no.	Matching DIN-Rail
6- 8- 5	FDR - 50
7-10- 4	-
9- 9- 6	FDR - 80
9-13- 5	120
10-14- 7	128
11-16- 6	150
12-22- 8	205
16-26- 9	242

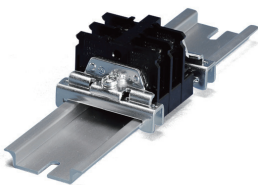
BCAS series

Product no.	Matching DIN-Rail
071005	FDR - 92
080806	66
081104	92
081107	92
081108	92
081110	92
081307	110
081308	110
081807	168
081808	168
082507	235
082508	235
101007	77
101010	77
101807	150
102007	170
102307	202
121207	80
121210	80
141709	146
142309	205
151507	120
151510	120
152004	170
152007	170
152010	170
152013	170
152016	170
152510	226
152513	226
161607	137

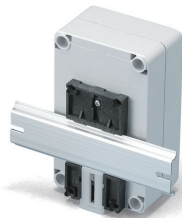
SPCM • SPCP series

Product no.	Matching DIN-Rail
081304	FDR - 50/100
081305	50/100
081306	50/100
081308	50/100
081310	50/100
081313	50/100
101004	80
101006	80
131304	100
131305	100
131306	100
131308	100
131310	100
131313	100
SPCM	
SPCP	
131804	100/150
131805	100/150
131806	100/150
131808	100/150
131810	100/150
131813	100/150
131815	100/150
181808	150
181810	150
181813	150
181815	150
182508	150/223
182510	150/223
182515	150/223

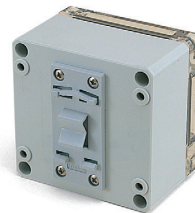
Accessories (Optional parts)



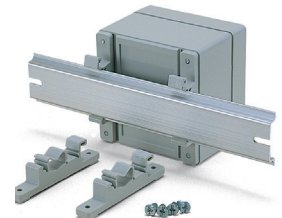
DIN-Rail stopper bracket TKR series
See page DIN-ACC-2



DIN-Rail mounting base DRA series
See page DIN-ACC-1



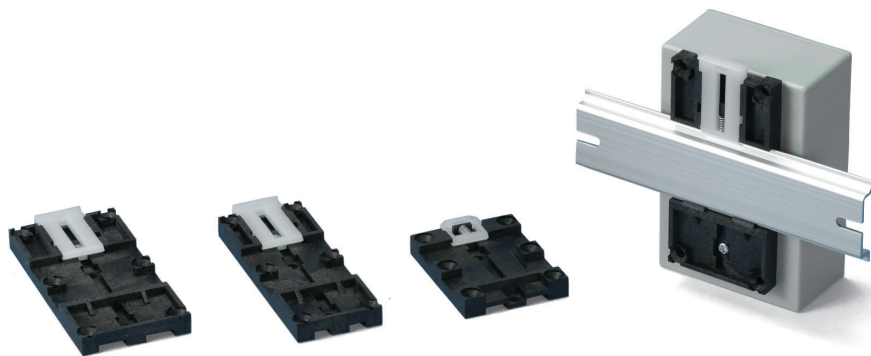
DIN-Rail mounting base DRT series
See page DIN-ACC-1



DIN-Rail mounting feet CKD series
See page DIN-ACC-2

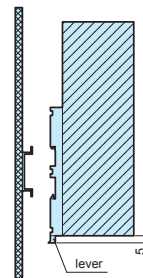
DRA SERIES

DIN-RAIL MOUNTING BASE



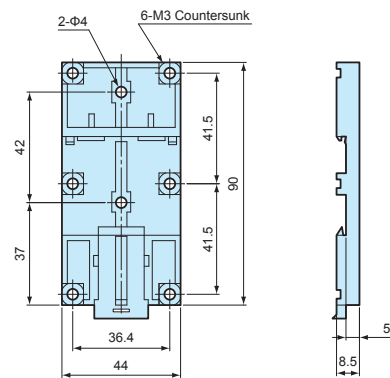
NOTE

Before installation, please ensure that the lever is not fully hidden behind the enclosure.

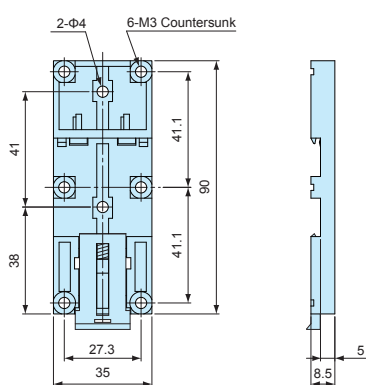


- For installation of enclosures, PCB and other parts onto a DIN rail.
- Simple installation and removal via the pull lever.

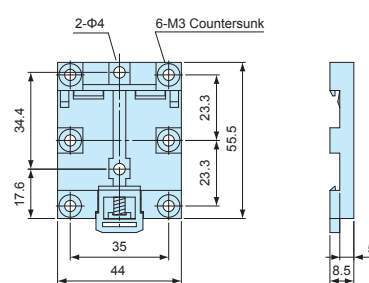
DRA-1



DRA-2



DRA-3

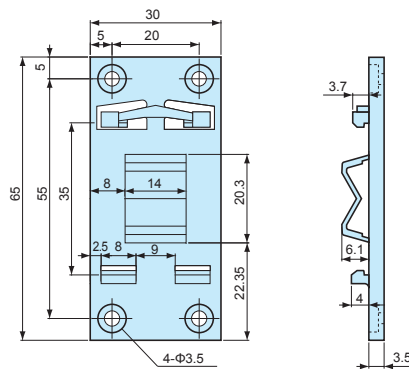
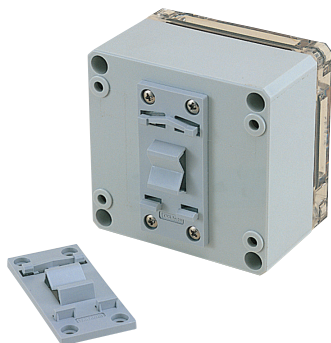


Product no. / Dimensions

Product no.	Material (body)	Material (lever)	Color	Weight (g)	Max load (kg)
DRA-1	PPE : SB UL94V-1	Nylon 66 UL94V-2	Black : Milky white	16.4	5
DRA-2	PPE : SB UL94V-1	Nylon 66 UL94V-2	Black : Milky white	14.5	5
DRA-3	PPE : SB UL94V-1	Nylon 66 UL94V-2	Black : Milky white	10.4	5

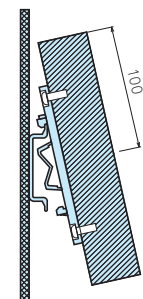
DRT SERIES

DIN-RAIL MOUNTING BASE



NOTE

Before installation, please ensure that the length (from top) of the enclosure is equal to, or less than 100mm from the center of the mounting base.



- For installation of enclosures, PCB and other parts onto a DIN rail.
- Simple installation and removal by tilting the case at an angle and sliding it in/out.

Product no. / Dimensions

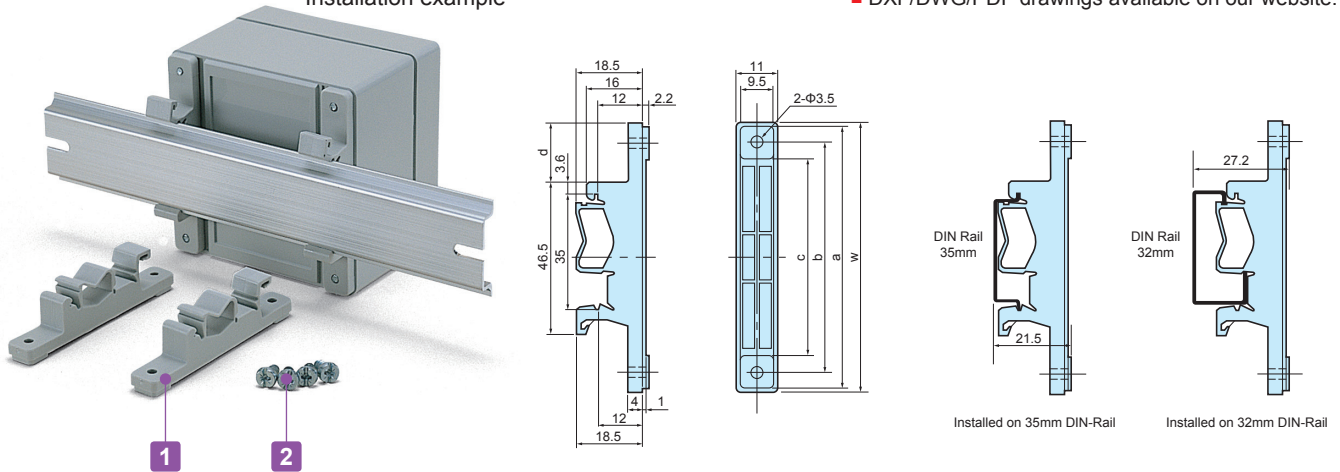
Product no.	Material	Color	Weight (g)	Max load (kg)
DRT-1	PBT UL94V-0	Light gray	7.3	1

CKD SERIES

DIN-RAIL MOUNTING FEET

Installation example

■ DXF/DWG/PDF drawings available on our website.



■ Mounting feet for installation of enclosures, PCB and other parts onto a DIN rail. Can be easily detached.

Technical Data
Max load : 3kg

Components

No.	Part name	Pcs	Material	Color / Finish
1	Mounting feet	2	Polyamide	White gray
2	Screw (special type 4.2 x 9.5)	4	Screw	Unichrome plated

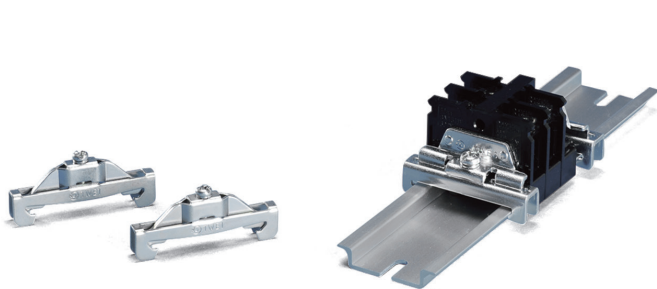
Product no. / Dimensions

Product no.	W	a	b	c	d	Pack of
CKD- 80	77	75	66	56	17	2
CKD-120	117	115	106	96	37	2
CKD-160	157	155	147	136	57	2

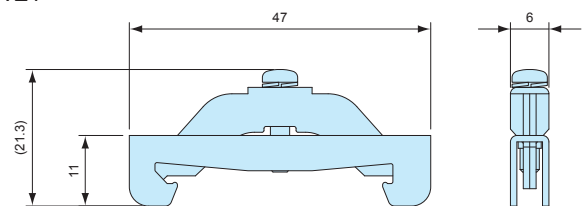
TKR SERIES

DIN-RAIL TERMINAL BLOCKS END STOPPER

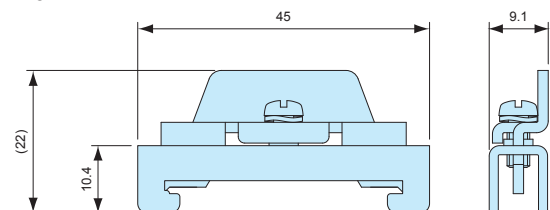
■ DXF/DWG/PDF drawings available on our website.



TKR-TWE1



TKR-JTXE3



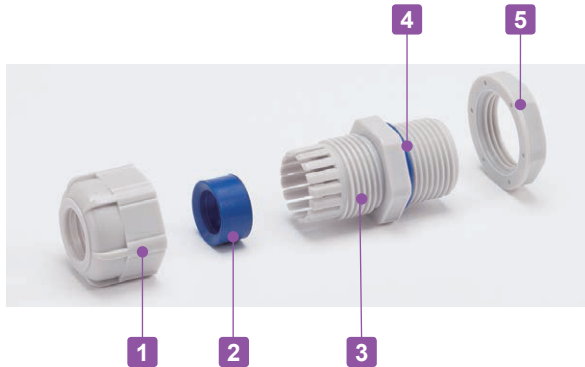
- Stopper bracket for use with 35mm DIN-rail to keep an attachment at a fixed location.
- TKR-TWE1 is used with small DIN rail attachment parts. For larger/higher attachment parts, TKR-JTXE3 is recommended for providing additional support.

Product no. / Feature

Product no.	Material	Color / Finish	Pack of
TKR-TWE1	Steel sheet	Trivalent chromate	2
TKR-JTXE3	Steel sheet	Trivalent chromate	2



- Weatherproof cable gland equipped with high ultraviolet and degradation resistant silicone sealing insert and O-ring.
- Recommended to use outdoors where waterproofing is critical.

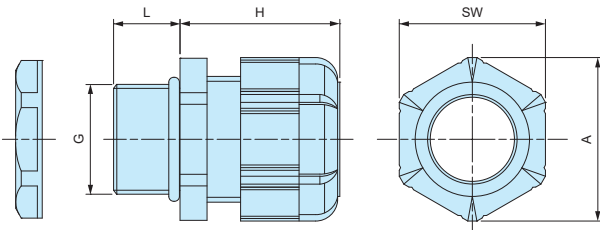


Components

■ PA = Polyamide

No.	Part name	Material
1	Cap	PA66 UL94V-2
2	Sealing insert	Silicone
3	Connector	PA66 UL94V-2
4	O-ring	Silicone
5	Nut	PA66 UL94V-2

RMW dimensions



Technical Data

Protection class: IP67
Operating temperature: -20°C ~ +80°C

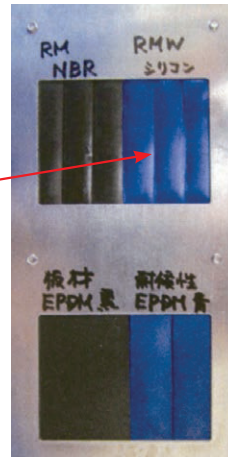
- DXF/DWG/PDF drawings available on our website.
- Lock nut is not included for RMW10S-6.
Please drill a proper thread hole into the enclosure for installation.

Product no. / Dimensions

Product no.		G		Cable range		L	H Max	SW	A	Pack of
● Black	● Light gray	Thread size	Mounting hole	Min	Max					
RMW8L-2.5B	RMW8L-2.5S	M8×1.25	Φ8.2	1	2.5	13	19.5	11.8	13.5	1
RMW8L-4B	RMW8L-4S	M8×1.25	Φ8.2	2.5	4	13	19.5	11.8	13.5	1
RMW10S-6B	RMW10S-6S	M10×1.5	—	3	6	8	20.5	13	14.4	1
RMW10L-6B	RMW10L-6S	M10×1.5	Φ10.2	3	6	13	20.5	13	14.4	1
RMW12S-7B	RMW12S-7S	M12×1.5	Φ12.2	3.5	7	9	20.5	16	17.6	1
RMW12L-7B	RMW12L-7S	M12×1.5	Φ12.2	3.5	7	14.5	20.5	16	17.7	1
RMW16S-8B	RMW16S-8S	M16×1.5	Φ16.2	4	8	9	23.5	19	21	1
RMW16L-8B	RMW16L-8S	M16×1.5	Φ16.2	4	8	15	24	19	21	1
RMW20S-12B	RMW20S-12S	M20×1.5	Φ20.2	6	12	10	29	24	26.2	1
RMW20L-12B	RMW20L-12S	M20×1.5	Φ20.2	6	12	15	28.5	24	26.2	1
RMW25L-17B	RMW25L-17S	M25×1.5	Φ25.2	11	17	15	35	33	36.2	1
RMW32L-21B	RMW32L-21S	M32×1.5	Φ32.3	13	21	15	38	36	39.5	1
RMW40L-27B	RMW40L-27S	M40×1.5	Φ40.3	18	27	18	43.5	45.7	50.5	1
RMW50L-38B	RMW50L-38S	M50×1.5	Φ50.4	27	38	20	50.5	60	66.5	1
RMW8L-2.5B-P	RMW8L-2.5S-P	M8×1.25	Φ 8.2	1	2.5	13	19.5	11.8	13.5	100
RMW8L-4B-P	RMW8L-4S-P	M8×1.25	Φ 8.2	2.5	4	13	19.5	11.8	13.5	100
RMW10L-6B-P	RMW10L-6S-P	M10×1.5	Φ10.2	3	6	13	20.5	13	14.4	100
RMW12S-7B-P	RMW12S-7S-P	M12×1.5	Φ12.2	3.5	7	9	20.5	16	17.6	100
RMW12L-7B-P	RMW12L-7S-P	M12×1.5	Φ12.2	3.5	7	14.5	20.5	16	17.7	100
RMW16S-8B-P	RMW16S-8S-P	M16×1.5	Φ16.2	4	8	9	23.5	19	21	100
RMW16L-8B-P	RMW16L-8S-P	M16×1.5	Φ16.2	4	8	15	24	19	21	100
RMW20S-12B-P	RMW20S-12S-P	M20×1.5	Φ20.2	6	12	10	29	24	26.2	100
RMW20L-12B-P	RMW20L-12S-P	M20×1.5	Φ20.2	6	12	15	28.5	24	26.2	100
RMW25L-17B-P	RMW25L-17S-P	M25×1.5	Φ25.2	11	17	15	35	33	36.2	100

RMW series silicone sealing insert weatherproof test report

Object: Cut into a piece of the silicone sealing insert from RMW series and attach it onto an aluminium plate.
 For comparison, NBR sealing insert from our RM and EPDM sealing insert from another manufacturer is also attached for comparison purposes.



Before



After

Testing conditions

Equipment : 7.5kW Super Xenon Weather Meter SX75 (Suga Test Instruments Co., Ltd.- <http://www.sugatest.co.jp/english/>)
Conditions : JIS B7754 : 1991

Testing with an authorized Xenon arc lamp weathering test equipment under the conditions denoted below.
 Irradiance : 180W/m² at 300-400nm
 Black Panel Temperature : 63±3°C Humidity Range : 50±10%
 Cycle Conditions : 120 minutes cycle (18 minutes irradiation + water spray - 102 minutes irradiation)

Time period : 2,000 hours (equivalent to a period of 4 years under natural conditions)
Total radiant exposure : 1296MJ/m²

Test result (visual / touch inspection)

Silicone sealing insert material : No cracks, no gloss transition, no powder - no appearance change at all. Flexibility remains unchanged.

Before



After



NBR material from our RM series : Lost glossiness on the surface and material is stiffened.

Before

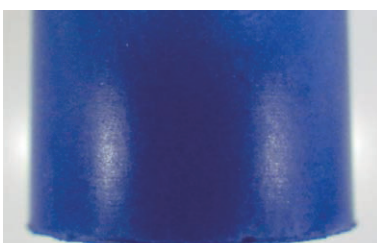


After

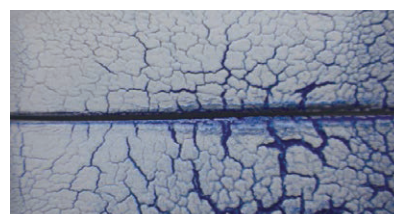


EPDM material from weatherproof cable gland of another manufacturer : Cracked, color drastically faded and powder appeared on the surface.

Before

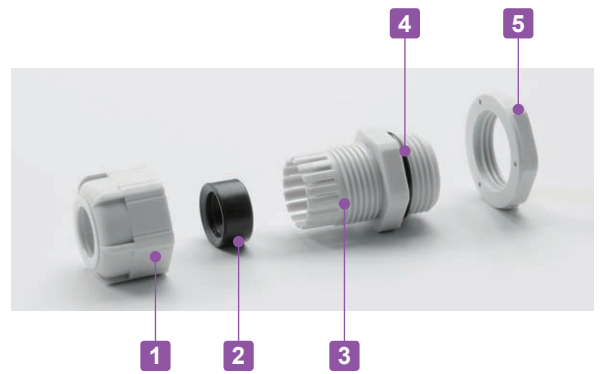


After



RM SERIES

POLYAMIDE CABLE GLAND



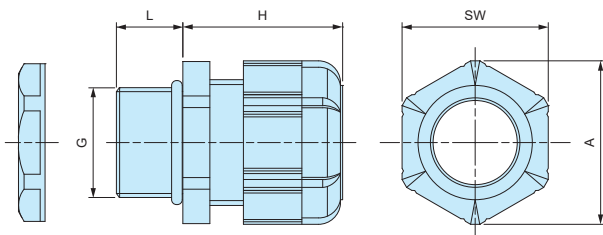
- Low cost cable glands made from polyamide material.
- Wide selection, for M8 ~ M63, suitable for $\Phi 1\text{mm} \sim \Phi 44\text{ mm}$ cable.
- High oil resistant NBR rubber sealing and O-ring.
- IP67 protection class.

Components

■ PA = Polyamide

No.	Part name	Material
1	Cap	PA66 UL94V-2
2	Sealing insert	NBR
3	Connector	PA66 UL94V-2
4	O-ring	NBR
5	Lock nut	PA66 UL94V-2

RM dimensions



Technical Data

Protection class: IP67
Operating temperature: -20°C ~ +80°C

- DXF/DWG/PDF drawings available on our website.
- Lock nut is not included for RM8S-2.5, 8S-4, and 10S-6 models.
Please drill a proper thread hole into the enclosure for installation.

Product no. / Dimensions

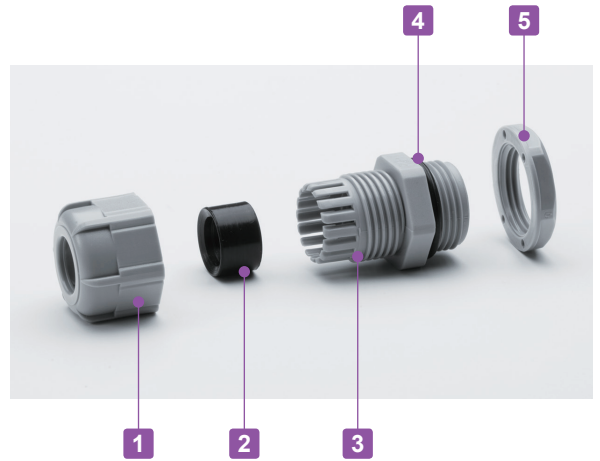
Product no.		G		Cable range		L	H Max	SW	A	Pack of
● Black	● Light gray	Thread size	Mounting hole	Min	Max					
RM8S-2.5B	RM8S-2.5S	M8×1.25	—	1	2.5	7.5	19.5	11.8	13.5	1
RM8L-2.5B	RM8L-2.5S	M8×1.25	Φ8.2	1	2.5	13	19.5	11.8	13.5	1
RM8S-4B	RM8S-4S	M8×1.25	—	2.5	4	7.5	19.5	11.8	13.5	1
RM8L-4B	RM8L-4S	M8×1.25	Φ8.2	2.5	4	13	19.5	11.8	13.5	1
RM10S-6B	RM10S-6S	M10×1.5	—	3	6	8	20.5	13	14.4	1
RM10L-6B	RM10L-6S	M10×1.5	Φ10.2	3	6	13	20.5	13	14.4	1
RM12S-7B	RM12S-7S	M12×1.5	Φ12.2	3.5	7	9	20.5	16	17.6	1
RM12L-7B	RM12L-7S	M12×1.5	Φ12.2	3.5	7	14.5	20.5	16	17.7	1
RM16S-8B	RM16S-8S	M16×1.5	Φ16.2	4	8	9	23.5	19	21	1
RM16L-8B	RM16L-8S	M16×1.5	Φ16.2	4	8	15	24	19	21	1
RM20S-12B	RM20S-12S	M20×1.5	Φ20.2	6	12	10	29	24	26.2	1
RM20L-12B	RM20L-12S	M20×1.5	Φ20.2	6	12	15	28.5	24	26.2	1
RM25L-17B	RM25L-17S	M25×1.5	Φ25.2	11	17	15	35	33	36.2	1
RM32L-21B	RM32L-21S	M32×1.5	Φ32.3	13	21	15	38	36	39.5	1
RM40L-27B	RM40L-27S	M40×1.5	Φ40.3	18	27	18	43.5	45.7	50.5	1
RM50L-38B	RM50L-38S	M50×1.5	Φ50.4	27	38	20	50.5	60	66.5	1
RM63L-44B	RM63L-44S	M63×1.5	Φ63.4	37	44	20	53	68	75.5	1
RM8L-2.5B-P	RM8L-2.5S-P	M8×1.25	Φ8.2	1	2.5	13	19.5	11.8	13.5	100
RM8L-4B-P	RM8L-4S-P	M8×1.25	Φ8.2	2.5	4	13	19.5	11.8	13.5	100
RM10L-6B-P	RM10L-6S-P	M10×1.5	Φ10.2	3	6	13	20.5	13	14.4	100
RM12S-7B-P	RM12S-7S-P	M12×1.5	Φ12.2	3.5	7	9	20.5	16	17.6	100
RM12L-7B-P	RM12L-7S-P	M12×1.5	Φ12.2	3.5	7	14.5	20.5	16	17.7	100
RM16S-8B-P	RM16S-8S-P	M16×1.5	Φ16.2	4	8	9	23.5	19	21	100
RM16L-8B-P	RM16L-8S-P	M16×1.5	Φ16.2	4	8	15	24	19	21	100
RM20S-12B-P	RM20S-12S-P	M20×1.5	Φ20.2	6	12	10	29	24	26.2	100
RM20L-12B-P	RM20L-12S-P	M20×1.5	Φ20.2	6	12	15	28.5	24	26.2	100
RM25L-17B-P	RM25L-17S-P	M25×1.5	Φ25.2	11	17	15	35	33	36.2	100

RPG SERIES

POLYAMIDE CABLE GLAND

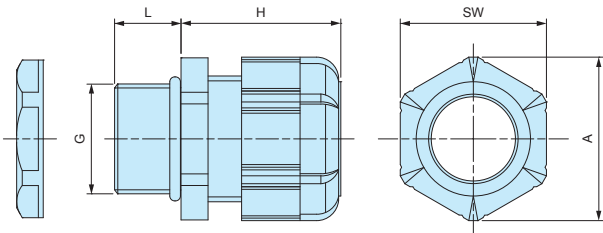


IP67



- Inexpensive cable glands made from polyamide material with PG threading.
- High oil resistant NBR rubber sealing and O-ring.
- IP67 protection class.

RPG dimensions



■ DXF/DWG/PDF drawings available on our website.

Components

■ PA = Polyamide

No.	Part name	Material
1	Cap	PA66 UL94V-2
2	Sealing insert	NBR
3	Connector	PA66 UL94V-2
4	O-Ring	NBR
5	Lock-nut	PA66 UL94V-2

Technical Data

Protection class: IP67
Operating temperature: -20°C ~ +80°C

Product no. / Dimensions

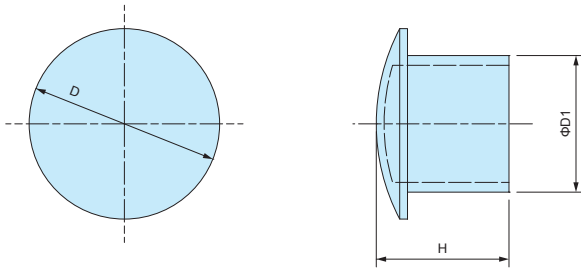
Product no.		G			Cable range		L	H Max	SW	A	Pack of
● Black	● Gray	Thread size	Thread dia.	Mounting hole	Min	Max					
RPG7-7B	RPG7-7G	PG7	12.5	Φ12.7	3	7	9	20.5	16	17.7	1
RPG9-8B	RPG9-8G	PG9	15.2	Φ15.4	4	8	9	23.5	19	21	1
RPG11-10B	RPG11-10G	PG11	18.6	Φ18.8	5	10	9	26	22	24	1
RPG13.5-11B	RPG13.5-11G	PG13.5	20.4	Φ20.6	6	11	10	29	24	26.4	1
RPG16-14B	RPG16-14G	PG16	22.5	Φ22.7	8	14	10	30	26.7	29.5	1
RPG21-18B	RPG21-18G	PG21	28.3	Φ28.5	13	18	12	35	33	36.5	1
RPG29-25B	RPG29-25G	PG29	37	Φ37.2	18	25	12	41.5	42	46.5	1

SP SERIES

SEALING PLUG



SP dimensions



■ Material : Nylon

- Sealing plug for cable glands when not in use.
- Maintain a waterproof seal when plugged into the sealing insert on cable glands.

Product no. / Dimensions

Product no.	D	D1	H	Suitable cable glands	Pack of
SP-12	10.2	6	15.5	RMW12, RM12, RMW16, RM16, RPG7, RPG9	10
SP-16	15.6	9.5	15.5	RMW20, RM20, RPG11, RPG13.5	10
SP-20	19.6	13.5	16.5	RPG16	10
SP-25	24.4	17.5	17	RMW25, RM25, RMW32, RM32, RPG21	5
SP-40	32.5	24.5	17.5	RMW40, RM40, RPG29	5
SP-50	47.2	38.9	17.6	RMW50, RM50	5



- High water protection IP68 (1bar / 30min) polyamide cable gland.
- Wide selection, for M8 ~ M50, suitable for Φ 2.5mm ~ Φ 42 mm cable.
- Super tough and superior heat resistant PA6GF (glass fiber filled PA6) material on cap and connector.
- Safer halogen free, eco-friendly product.

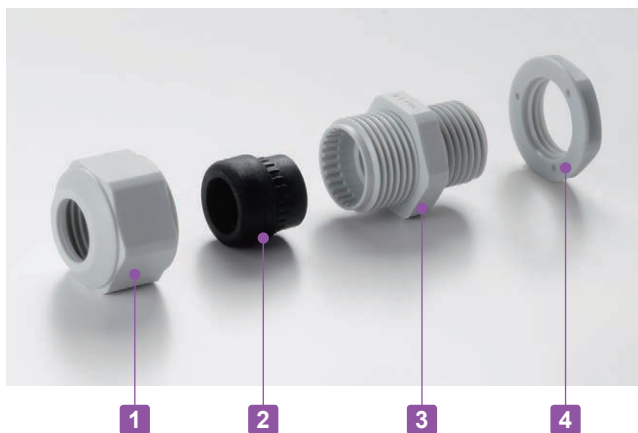
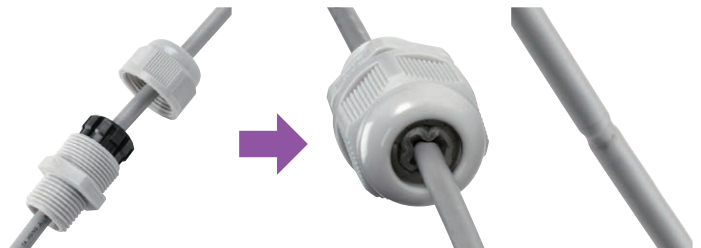
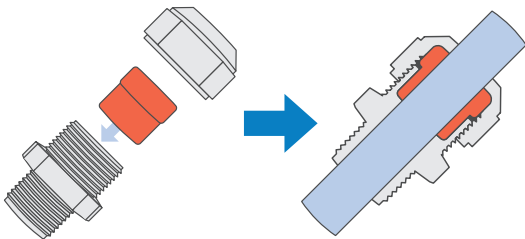
Technical Data
Protection class: IP68 1bar / 30min
Operating temperature: -20°C ~ +100°C
Compliant with EN50262 Ver. A

AG Series

Thicker sealing insert evenly hold a cable by having a larger holding area.
Remains durable even after repeated tightening / loosening.

Lamellar insert type

If over-tightened, it can cause the rubber bush or cable to deform, which can allow water to seep in.



Components

■ PA6GF = Polyamide6 Glass Fiber Filled

No.	Part name	Material
1	Cap	PA6GF
2	Sealing insert	TPE
3	Connector	PA6GF
4	Lock nut	PA6

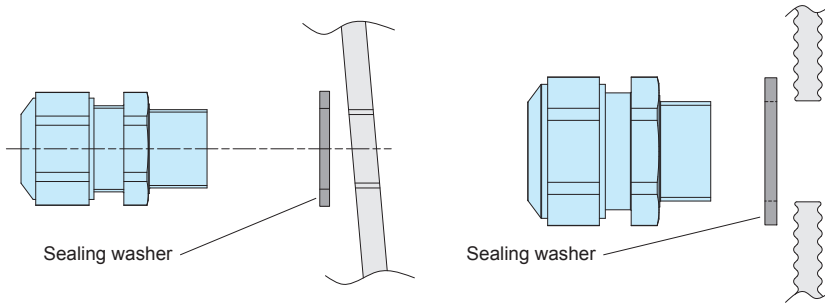
- Lock nut is not included for M8 and M10 sizes.
Please drill a proper thread hole into the enclosure for installation.

- Proper tightening torque varies by each cable diameter.
Tighten the cap until top of the sealing insert forms a small bead between the cap and the cable.



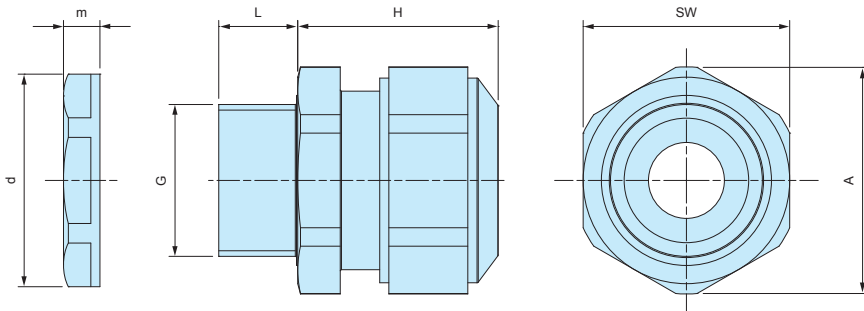
■ No optional sealing washer is required when installing on an even surface because of the built-in waterproof rib.

■ An optional sealing washer is required when installing on an uneven surface. (See page AGP-1 for more information on the optional sealing washer)



AG dimensions

■ DXF/DWG/PDF drawings available on our website.



■ Lock nut is not included for M8 and M10 sizes. Please drill a proper thread hole into the enclosure for installation.

Product no. / Dimensions

Product no.		G		Cable range		L	H Max	SW	A	d	m	Pack of
● Black	● Light gray	Thread size	Mounting hole	Min	Max							
AG8-3.5B	AG8-3.5S	M8×1.0	—	2.5	3.5	10	17	12	13.2	—	—	1
AG8-5B	AG8-5S	M8×1.0	—	3.5	4.7	10	17	12	13.2	—	—	1
AG10-6B	AG10-6S	M10×1.0	—	4	6	10	19	15	16.5	—	—	1
AG12-5B	AG12-5S	M12×1.5	Φ12.2	3.5	4.7	12	23.5	17	18.7	18.8	5	1
AG12-6.5B	AG12-6.5S	M12×1.5	Φ12.2	5	6.5	12	23	17	18.7	18.8	5	1
AG12-8B	AG12-8S	M12×1.5	Φ12.2	6.5	7.8	12	23	17	18.7	18.8	5	1
AG16-10B	AG16-10S	M16×1.5	Φ16.2	8	10	12	26	21	23.1	24.3	5	1
AG20-15B	AG20-15S	M20×1.5	Φ20.2	11	15	13	27	27	29.7	29	6	1
AG25-16B	AG25-16S	M25×1.5	Φ25.2	12.5	16	13	34	34	37.4	36	6.7	1
AG25-20B	AG25-20S	M25×1.5	Φ25.2	16	20	13	34	34	37.4	36	6.7	1
AG32-25.5B	AG32-25.5S	M32×1.5	Φ32.3	21	25.5	15	36	41	45.6	46	8	1
AG40-28.5B	AG40-28.5S	M40×1.5	Φ40.3	24	28.5	15	41	50	55.4	53.5	9	1
AG40-33B	AG40-33S	M40×1.5	Φ40.3	28.5	33	15	41	50	55.4	53.5	9	1
AG50-37B	AG50-37S	M50×1.5	Φ50.4	33	37	16	45	60	65.5	66	9.6	1
AG50-42B	AG50-42S	M50×1.5	Φ50.4	37	42	16	45	60	65.5	66	9.6	1

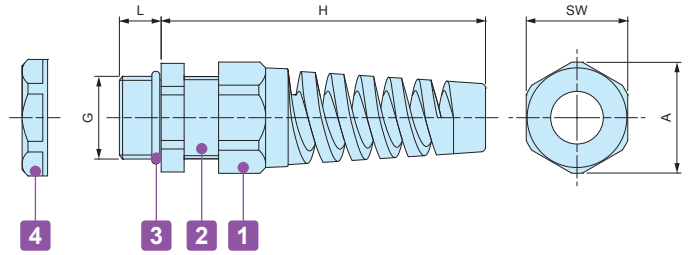
RSP SERIES

STRAIN RELIEF CABLE GLAND



■ DXF/DWG/PDF drawings available on our website.

RSP dimensions



Components

■ PA = Polyamide

No.	Part name	Material
1	Strain relief cap	PA66 (UL94V-2)
-	Sealing insert	NBR
2	Connector	PA66 (UL94V-2)
3	O-ring	NBR
4	Lock- nut	PA66 (UL94V-2)

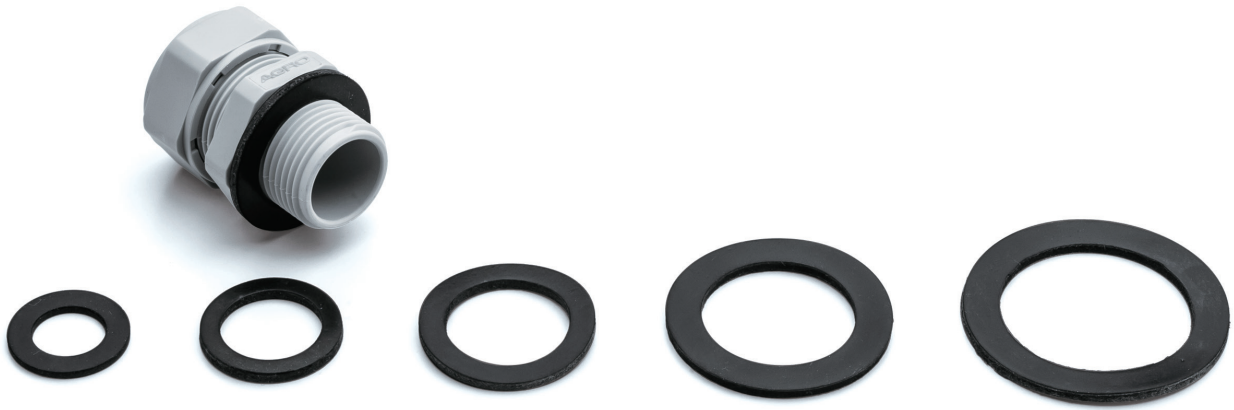
Technical Data
Protection class : IP67
Temperature range -20°C ~ +80°C

Product no. / Dimensions

Product no.		G		Cable range		L	H Max	SW	A	Pack of
● Black	● Light gray	Thread size	Mounting hole	Min	Max					
RSP12-6B	RSP12-6S	M12×1.5	φ12.2	3.5	6	9	62	16	17	1
RSP16-8B	RSP16-8S	M16×1.5	φ16.2	4	8	9	69	19.5	21	1
RSP20-11B	RSP20-11S	M20×1.5	φ20.2	6	11	10	82	24	26	1
RSP25-16B	RSP25-16S	M25×1.5	φ25.2	11	16	12	102	33	36	1

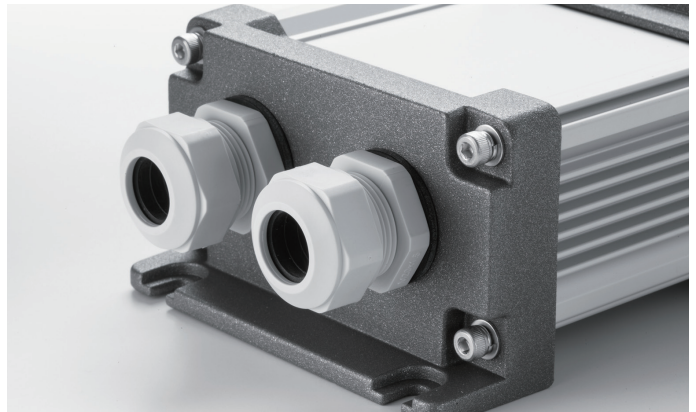
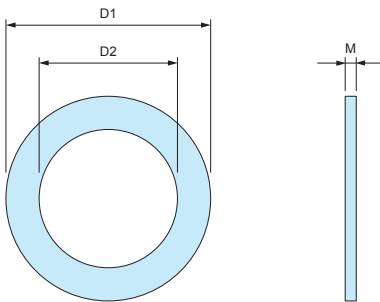
AGP SERIES

SEALING WASHER for AG • AGSP



- Sealing washer for AG series.
- Made from oil resistant NBR material.
- Use in the case of installation on a rough or uneven surfaces.
- Selectable in 7 sizes (from M12 to M50)
- Sealing washer is not necessary for installation on flat surfaces.

AGP Dimensions



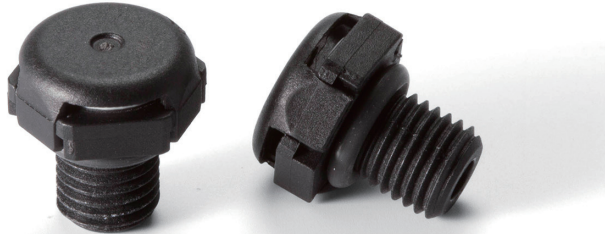
- Material : NBR

Product no. / Dimensions

Product no.	D1	D2	M	Suitable cable gland	Pack of
AGP-12	20	12	1.6	AG12	10
AGP-16	23.5	16.5	2.0	AG16	10
AGP-20	29	20	2.0	AG20	10
AGP-25	37	25	2.0	AG25	10
AGP-32	44	32	2.2	AG32	5
AGP-40	52	40	2.2	AG40	5
AGP-50	64	50	3.1	AG50	5

PMF-6B

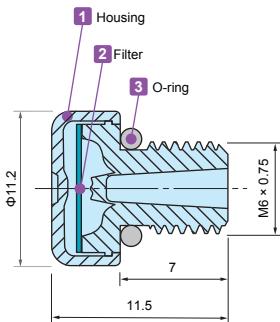
SMALL PROTECTIVE VENT



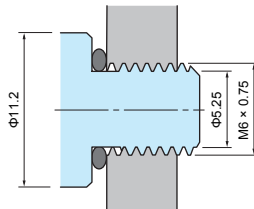
Application example

- Small and screw-in protective vent suitable for compact, and hand-held type devices.
- IP68 protection class (water depth 2 meters / 60 mins) and -40°C ~ +150°C operating temperature range allows it to be used in various environments.
- Suitable for enclosures with capacities of 2.0 litres or under.
- For outdoor use, installation on the side of the enclosure unit is recommended.

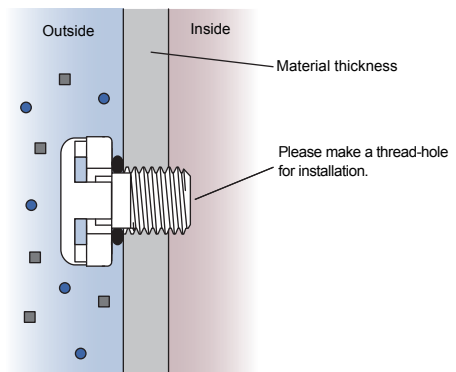
PMF-6B dimensions



Hole milling drawings



Installation drawings



Technical Data

Airflow	300ml / min (dp = 7 kPa)
Recommended Torque	0.2 ~ 0.4 N • m
Certifications	IEC60529 (Protection class test) : IP66 • IP67 • IP68 IEC60068-2-1, 2, 14 (Heat resistance test) : -40°C ~ +150°C IEC60068-2-78 (Humidity test) : 85°C • 85% humidity • 1000 hours IEC60068-2-64 (Vibration test) UL94V-0 (Flame-resistant) • UL746C f1

Product no. / Dimensions

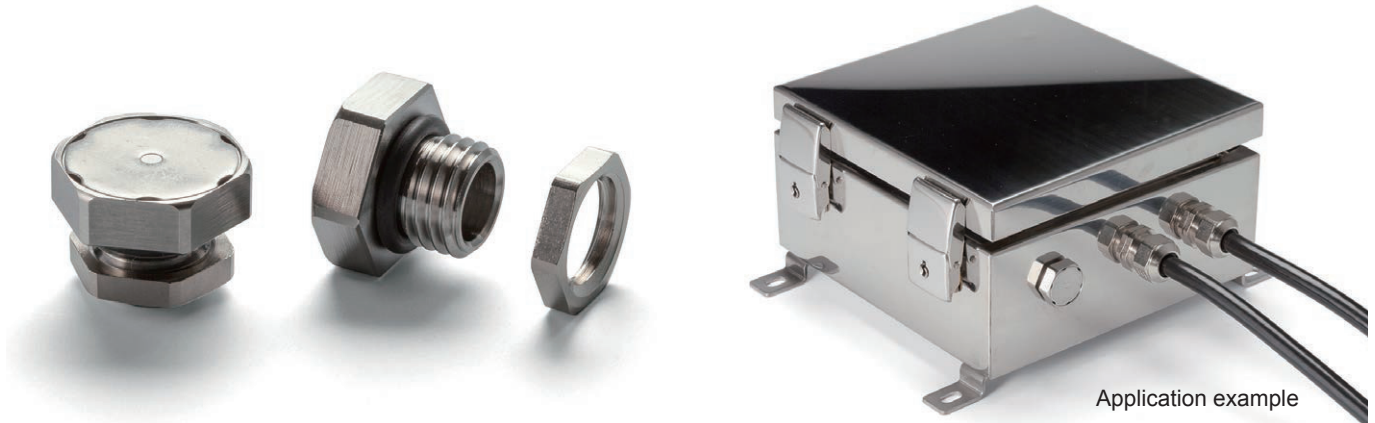
Product no.	Material			G	
● Black	1 Housing	2 Filter	3 O-ring	Thread size	Mount hole
PMF-6B	PA6 (Body) • PA66 (Cap)	PTFE	Silicone	M6 x 0.75	—

PMF-12M

STAINLESS STEEL PROTECTIVE VENT

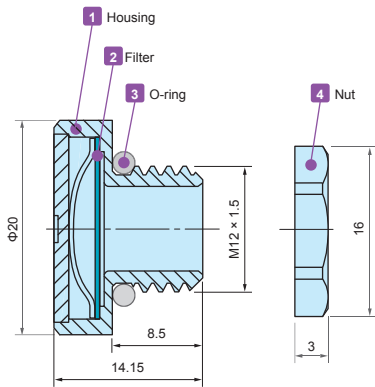
★ ★ NEW

IP68 IP69K

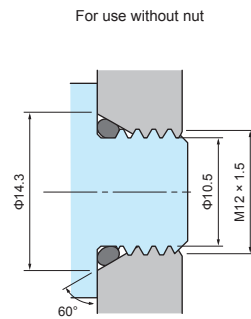


- Stainless steel protective vent for superior durability and chemical resistance.
- IP68 protection class (water depth 2 meters / 60 mins) and -40°C ~ +125°C operating temperature range allows it to be used in various environments.
- Suitable for enclosures with capacities of 20 liters or under.
- For outdoor use, installation on the side of the enclosure unit is recommended.

PMF-12M dimensions

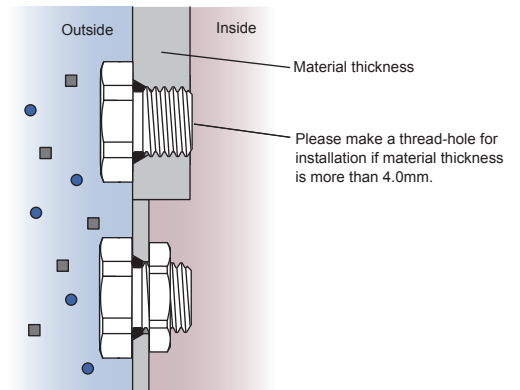


Hole milling drawings



■ While Φ12.2mm through-hole is sufficient for installation, 60° angle tapered hole is recommended to prevent deformation of the O-ring.

Installation drawings



■ If used with a lock nut, material thickness should not exceed 4.0mm.

Technical Data

Airflow	1600ml / min (dp = 7 kPa)
Recommended Torque	0.6 ~ 1.2 N · m
Certifications	IEC60529 (Protection class test) : IP66 • IP67 • IP68 • IP69K IEC60068-2-1, 2, 14 (Heat resistance test) : -40°C ~ +125°C IEC60068-2-78 (Humidity test) : 85°C • 85% humidity • 1000 hours IEC60068-2-64 (Vibration test)

Product no. / Dimensions

Product no.	Material				G		Nut SW
	1 Housing	2 Filter	3 O-ring	4 Nut	Thread size	Mount hole	
PMF-12M	Stainless steel	PTFE	Silicone	Brass • Nickel plated	M12 x 1.5	Φ12.2	15

PMF SERIES

PROTECTIVE VENT

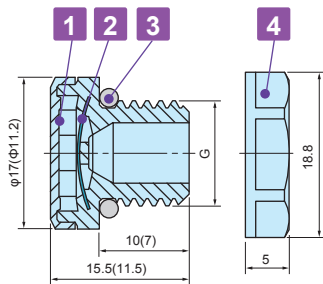


Application example

- Protective vents prevents the ingress of a variety of contaminants, such as water, dust and other particules while allowing water vapor molecules to diffuse through the microporous membrane.
- Equalize pressure and reduce condensation by allowing airflow into and out of sealed enclosures.
- With an IP68 protection class (water depth 2 meters / 60 mins) and -40°C ~ +125°C operating temperature range, it can be used in harsh environmental conditions.
- PMF-6B works up to 2 liters capacity enclosures. Whereas, PMF-12 models work for up to 5 liters and PMF-12HS models work for up to 50 liters.
- For outdoor use, more efficient to install on the side(s).
- Recommended to use for industrial, electric, electronics purpose only.

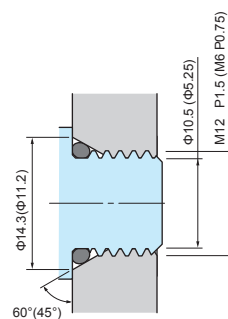
PMF dimensions

■ Drawings below are reference examples only.
DXF/DWG/PDF drawings available on our website.



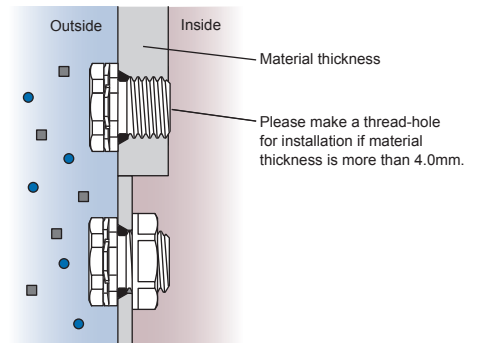
() values are for PMF-6B.
Lock nut is not available for PMF-6B.

Hole milling drawings



■ While $\Phi 12.2\text{mm}$ through-hole is sufficient for installation, 60° angle tapered hole is recommended to prevent deformation of the O-ring.

Installation drawings



■ If used with a lock nut, material thickness should not exceed 4.0mm, and $\Phi 12.2\text{mm}$ through-hole is sufficient.

Technical Data

Product no.	PMF-6B	PMF-12	PMF-12HA
Airflow	300ml / min (dp = 7 kPa)	450ml / min (dp = 7 kPa)	4000ml / min (dp = 7 kPa)
Recommended Torque	0.2 ~ 0.4 N · m	0.6 ~ 0.8 N · m	0.6 ~ 0.8 N · m
Certifications	IEC60529 (Protection class test): IP66 • IP67 • IP68 • IP69K (Not for PMF-6B) IEC60068-2-1, 2, 14 (Heat resistance test): - 40°C ~ +125°C (~+150°C for PMF-6B) IEC60068-2-78 (Humidity test): 85°C • 85% humidity • 1000 hours IEC60068-2-64 (Vibration test) (PMF-6B only) UL94V-0 (Flame-resistant) • UL746C f1		

Product no. / Dimensions

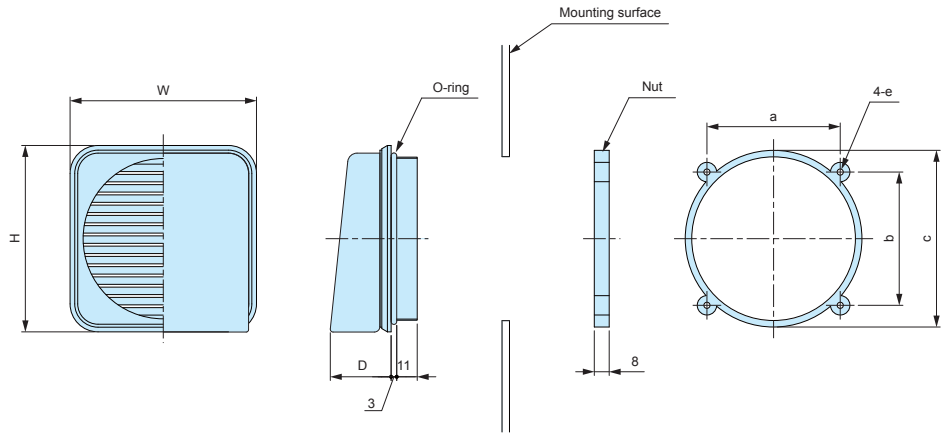
Product no.		Material				G		Nut SW
● Light gray	● Black	1 Housing	2 Filter	3 O-ring	4 Lock nut	Thread size	Mount hole	
—	NEW PMF-6B	PA6 (Body) PA66 (Cap)	PTFE	Silicone	n/a	M6 x 0.75	—	—
PMF-12S	PMF-12B	PA6	PTFE	Silicone	PA6 (UL94V-2)	M12 x 1.5	$\Phi 12.2$	17
PMF-12HAS	PMF-12HAB	PA6	PTFE	Silicone	PA6 (UL94V-2)	M12 x 1.5	$\Phi 12.2$	17

V SERIES

VENTILATION LOUVER



- Recommended for condensation prevention and heat dissipation.
- 2 models available: ABS V60, V80 for BCAP and BCAR series, and PC V60S, V80S for BCPC, BCPK and BCAR series.
- Suitable to be used on a variety of enclosure types, series and models.



Product no. / Dimensions

Product no.	Material	Color	Installation hole	W	H	D	a	b	c	e
V60	ABS	White gray	Φ63	74.5	74.5	30.8	50.5	50.5	70	Φ3.8
V80	ABS	White gray	Φ88	100	100	36	71.5	71.5	94.8	Φ3.3
V60S	Polycarbonate	Light gray	Φ63	74.5	74.5	30.8	50.5	50.5	70	Φ3.8
V80S	Polycarbonate	Light gray	Φ88	100	100	36	71.5	71.5	94.8	Φ3.3

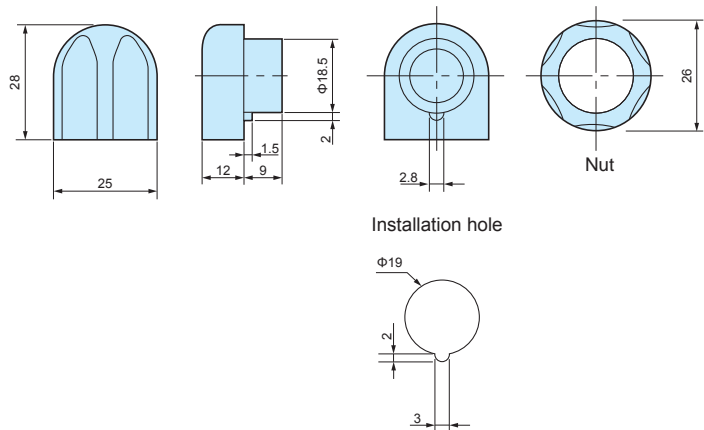
■ O-ring material: NBR Black

VF SERIES

VENTILATION PARTS



VF-1



Technical Data	
Protection class:	VF-1 IP33 VF-2 IP24

Product no.

Product no.	Material / Color
VF-1	Polyamide / White gray
VF-2	Polyamide / White gray

VF-2

