

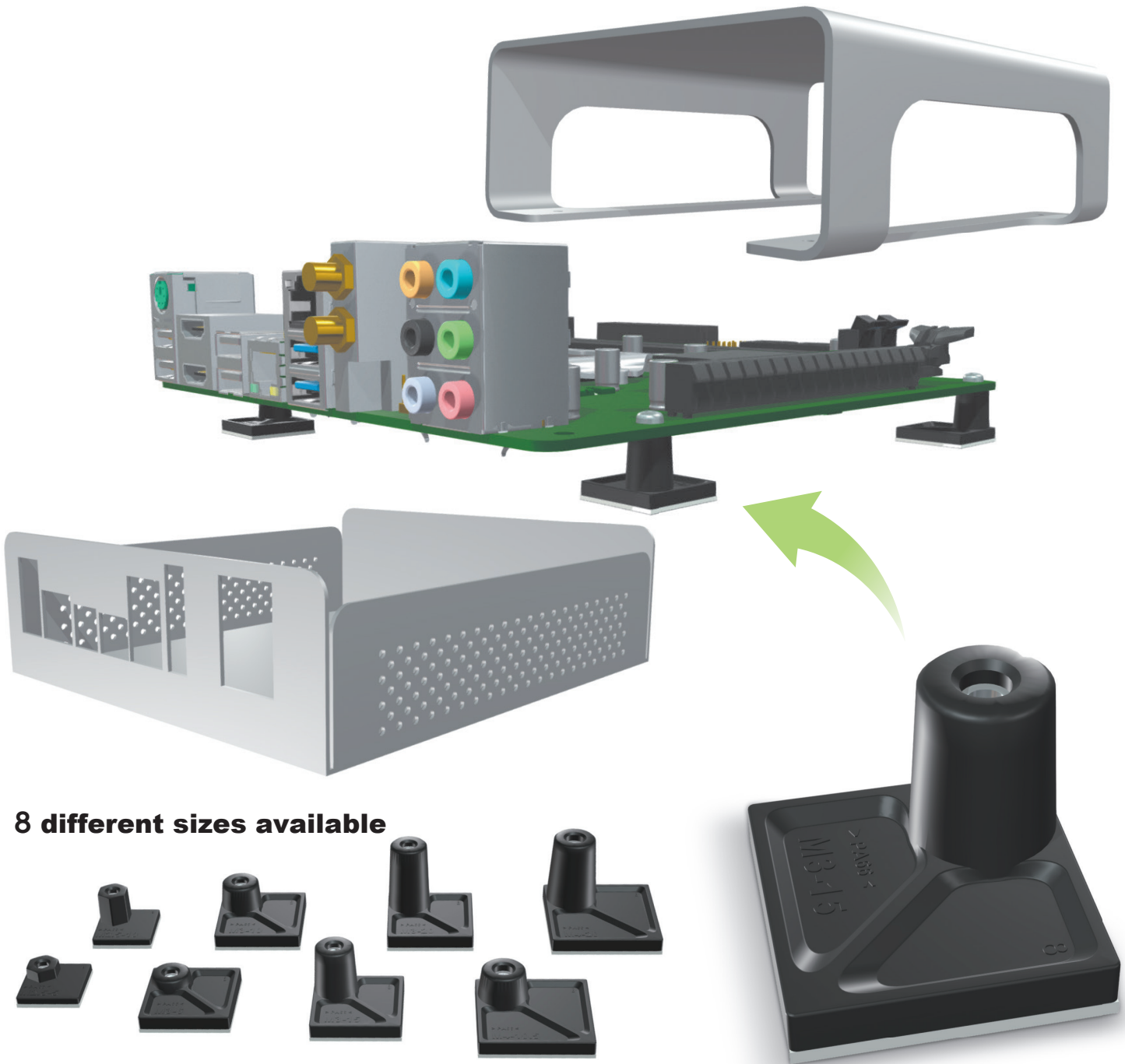


**Quick and Easy
Installation**



QUICK & EASY INSTALLATION

ADHESIVE STANDOFFS

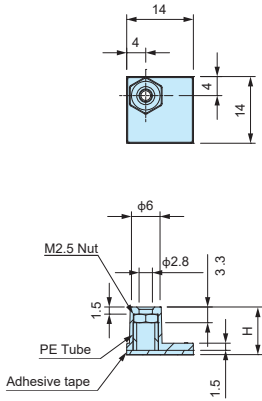


8 different sizes available

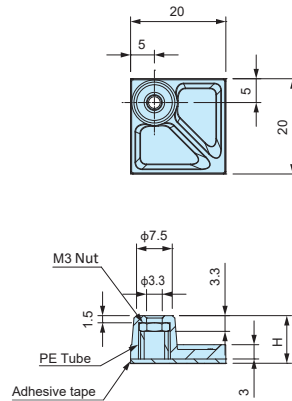


- Double -sided adhesive tape allows the standoff to be mounted quickly and easily; allows PCB mounting in non-boss enclosures.
- Convenient for installing PCBs into enclosures without the need for customization.
- Please ensure that surface is cleaned and grease-free before adhering.
- Once removed, it cannot be adhered on again.

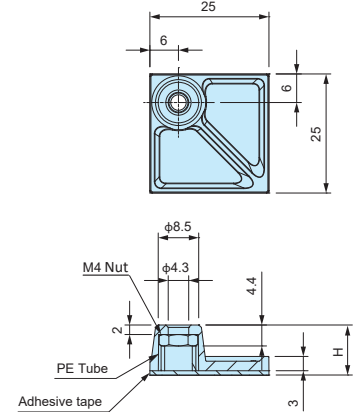
AST2.5-□



AST3-□



AST4-□



■ DXF/DWG/PDF drawings available on our website.

Product no. / Dimensions

- Base material / color : Nylon 66 (UL94V-2) / Black
- Nut • screw material / finish : Steel / Trivalent chromate

Product no.	H dimension	Included screw	Recommended PCB Thickness (mm)	Recommended torque (N • m)	Weight (g)	Pack of
AST2.5-5B	5	M2.5-5 panhead	1.0~2.0	0.3	0.6	4
AST2.5-10B	10	M2.5-5 panhead	1.0~2.0	0.3	0.8	4
AST3-6B	6	M3-6 panhead	1.0~3.0	0.4	1.5	4
AST3-10B	10	M3-6 panhead	1.0~3.0	0.4	1.6	4
AST3-15B	15	M3-6 panhead	1.0~3.0	0.4	1.8	4
AST3-20B	20	M3-6 panhead	1.0~3.0	0.4	2.1	4
AST4-10.5B	10.5	M4-8 panhead	1.0~3.5	0.8	2.6	4
AST4-20B	20	M4-8 panhead	1.0~3.5	0.8	3.2	4
AST2.5-5B-P	5	None	—	0.3	0.6	100
AST2.5-10B-P	10	None	—	0.3	0.8	100
AST3-6B-P	6	None	—	0.4	1.5	100
AST3-10B-P	10	None	—	0.4	1.6	100
AST3-15B-P	15	None	—	0.4	1.8	100
AST3-20B-P	20	None	—	0.4	2.1	100
AST4-10.5B-P	10.5	None	—	0.8	2.6	50
AST4-20B-P	20	None	—	0.8	3.2	50

TAKACHI ELECTRONICS ENCLOSURE CO., LTD.

3-21-16 Higashi-ryoke,
Kawaguchi, Saitama 332-0003, JAPAN
Tel. +81-48-222-5409

www.takachi-enclosure.com
sales@takachi-el.co.jp

● All items listed in this catalogue are compliant with EU RoHS 10 standard.