

AGE SERIES

COOLING FAN



Heat Resistant

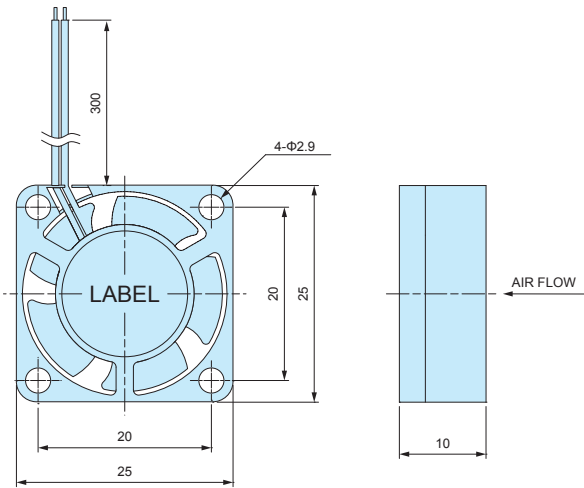


■ Affordable Cooling Fan AGE series is now available.

■ DXF/DWG/PDF drawings available on our website.

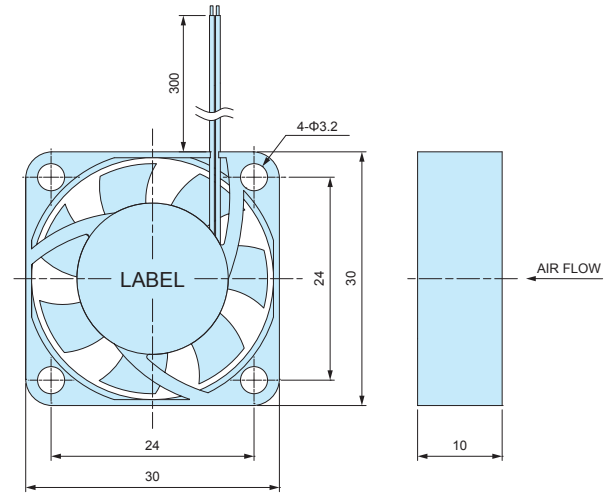
AGE02510B

Lead wire UL1571 AWG28



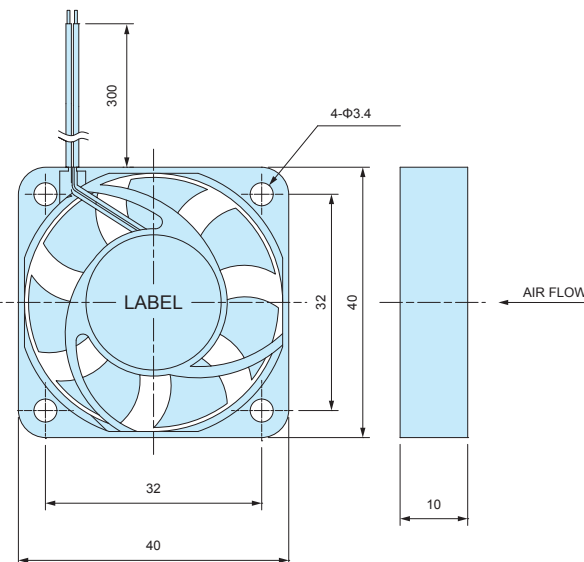
AGE03010B

Lead wire UL1571 AWG28



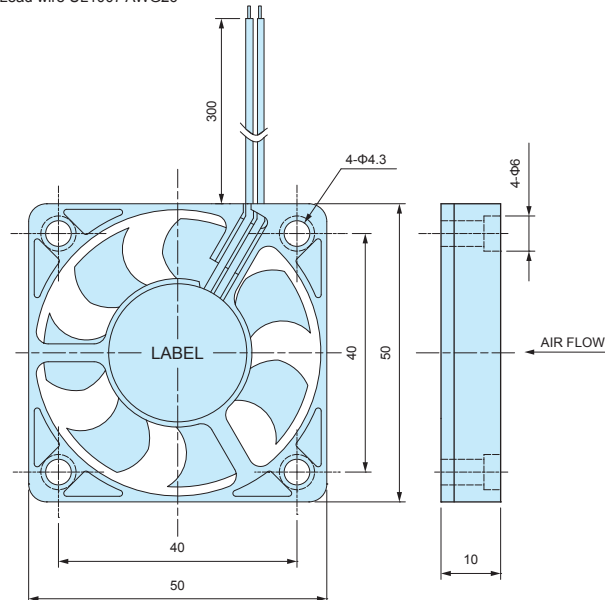
AGE04010B

Lead wire UL1007 AWG26

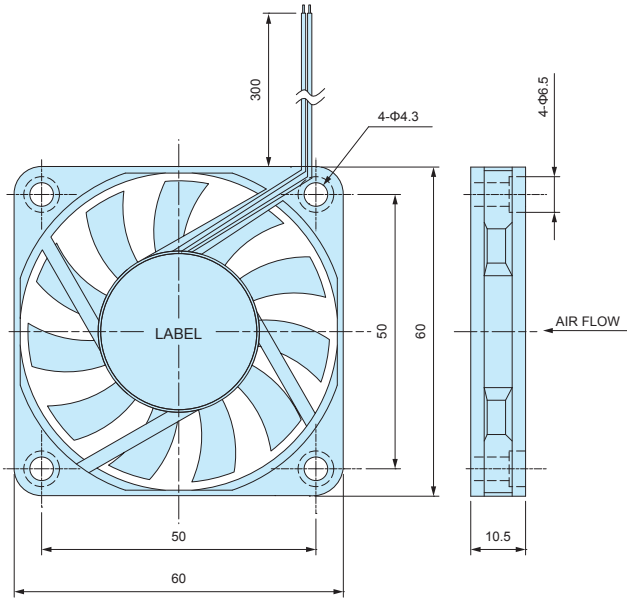


AGE05010B

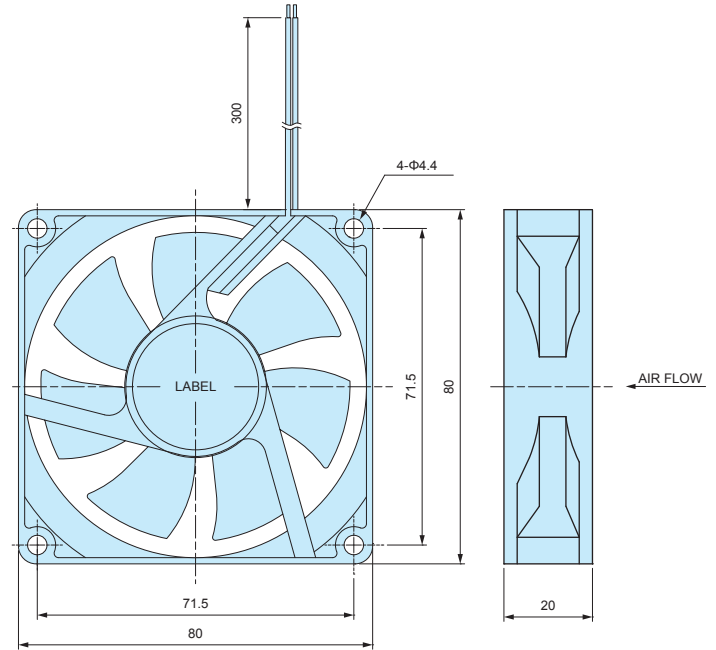
Lead wire UL1007 AWG26



AGE06010B
Lead wire UL1007 AWG26



AGE08020B
Lead wire UL1007 AWG28



Product no. / Dimensions

Product no.	Outer dimensions (mm)	Rated voltage (V)	Voltage range (V)	Rated current (A)	Rated input (W)	Max airflow (m3/min)	Max static pressure (pa)	Rotation speed (min-1)	Operating temperature	Life expectancy (H)
NEW AGE02510B	25.0 x 25.0 x 10.0	DC 5	4.5 □ 5.5	0.12	0.6	0.04	18.6	7,000	-10°C ~ +50°C	70,000
NEW AGE03010B	30.0 x 30.0 x 10.5	DC12	7.0 □ 13.2	0.05	0.6	0.08	22.4	6,000	-10°C ~ +50°C	70,000
NEW AGE04010B	40.0 x 40.0 x 10.0	DC12	7.0 □ 13.2	0.09	1.08	0.13	13.9	4,000	-10°C ~ +50°C	70,000
NEW AGE05010B	50.0 x 50.0 x 10.0	DC12	7.0 □ 13.2	0.07	0.84	0.3	34.9	5,500	-10°C ~ +50°C	70,000
NEW AGE06010B	60.0 x 60.0 x 10.5	DC12	7.0 □ 13.2	0.3	3.6	0.4	20.4	3,500	-10°C ~ +50°C	70,000
NEW AGE08020B	80.0 x 80.0 x 20.0	DC12	7.0 □ 13.2	0.07	0.84	0.78	22.4	2,400	-10°C ~ +50°C	70,000

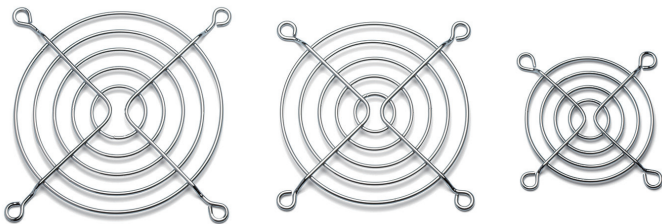
■ Life expectancy is measured under normal operational conditions.

HF-G SERIES

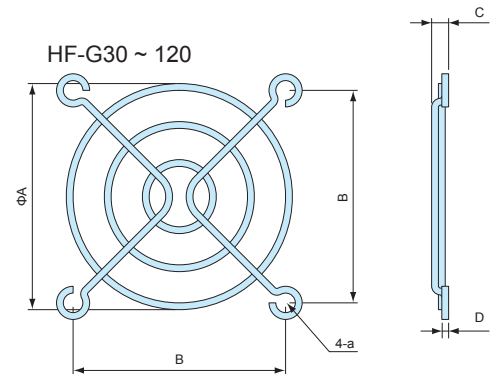
FAN GUARD



■ DXF/DWG/PDF drawings available on our website.



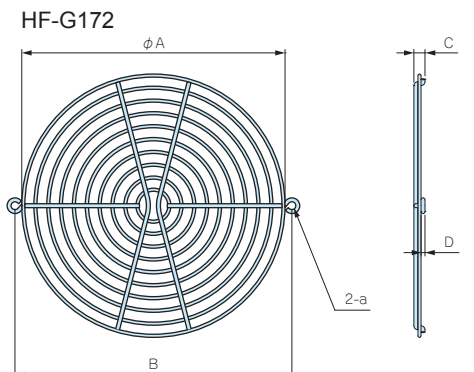
■ Material : Steel wire



Product no. / Dimensions

■ Shape vary by model.

Product no.	A	B	C	D	a	Surface finish
HF-G 30	26	24	3	1.6	M3	Chrome plated
HF-G 40	29	32	5	1.6	M3 and M4	Nickel chrome plated
HF-G 50	41	40	5	1.6	M3 and M4	Nickel chrome plated
HF-G 60	53	50	4.5	1.6	M4	Nickel chrome plated
HF-G 80	76	71.5	5	1.8	M4	Nickel chrome plated
HF-G 90	90	82.5	5.5	1.8	M4	Nickel chrome plated
HF-G120	115	104.8	3.6	1.8	M4	Nickel chrome plated
NEW HF-G172	154	162	6.5	2.3	M4	Nickel chrome plated



NOTICE

HF-G30 FINGER GUARD

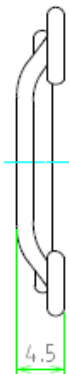
Changes to Shape, Dimension and Manufacturing Location

- Affected series / models

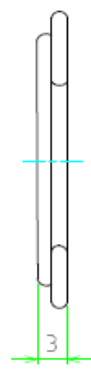
HF-G30

- Change : Mounting hole shape

Current Shape



New Shape



Current : Made in Japan

New : Made in China

- Functionality: No changes to functionality, color, finish, installation or material.
- Purpose: To ensure consistent quality throughout via streamlined supply chain and materials.
- Period: Once current inventory has been depleted.
- Series / Model: No changes to Series, Product number, or pricing.

Thank you for your understanding.

For more information, kindly contact us at: sales@takachi-el.co.jp