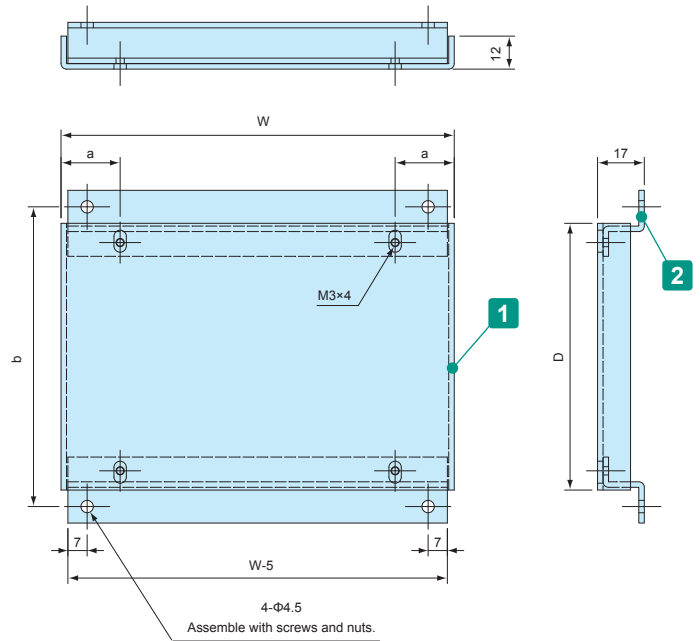


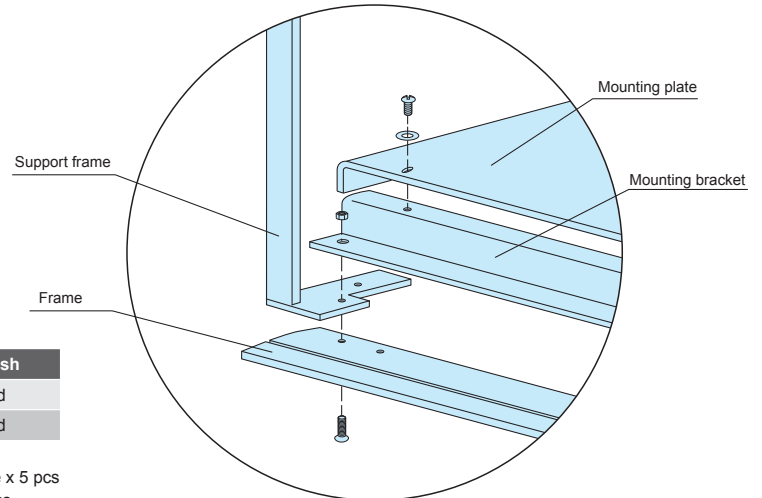
AC SERIES

MOUNTING PLATE for ER • ERH

DXF/DWG/PDF drawings available on our website.



Assembly drawings



Components

No.	Part name	Pcs	Material	Color / Finish
1	Mounting plate	1	Aluminium A1050P t=2.0	Unfinished
2	Mounting bracket	2	Aluminium A1050P t=2.0	Unfinished

Included screws
 M3-10 countersunk • Trivalent Chromate x 5 pcs
 M3-6 Binding head • Nickel plated x 5 pcs
 M3 washer • Nickel plated x 5 pcs
 M3 nut • Trivalent Chromate x 5 pcs

Product no. / Dimensions

Product no.	W	D	a	b	Suitable enclosure	Weight (g)
AC16-43	143	367	21.5	379	ER□□-16 / ERH□□-16	370
AC20-43	183	367	24.5	379	ER□□-20 / ERH□□-20	460
AC26-43	243	367	31.5	379	ER□□-26 / ERH□□-26	610
AC32-43	303	367	39.5	379	ER□□-32 / ERH□□-32	740
AC37-43	353	367	46.5	379	ER□□-37 / ERH□□-37	860
AC43-43	413	367	54.5	379	ER□□-43 / ERH□□-43	990
AC50-43	483	367	64.5	379	ER□□-50 / ERH□□-50	1,160